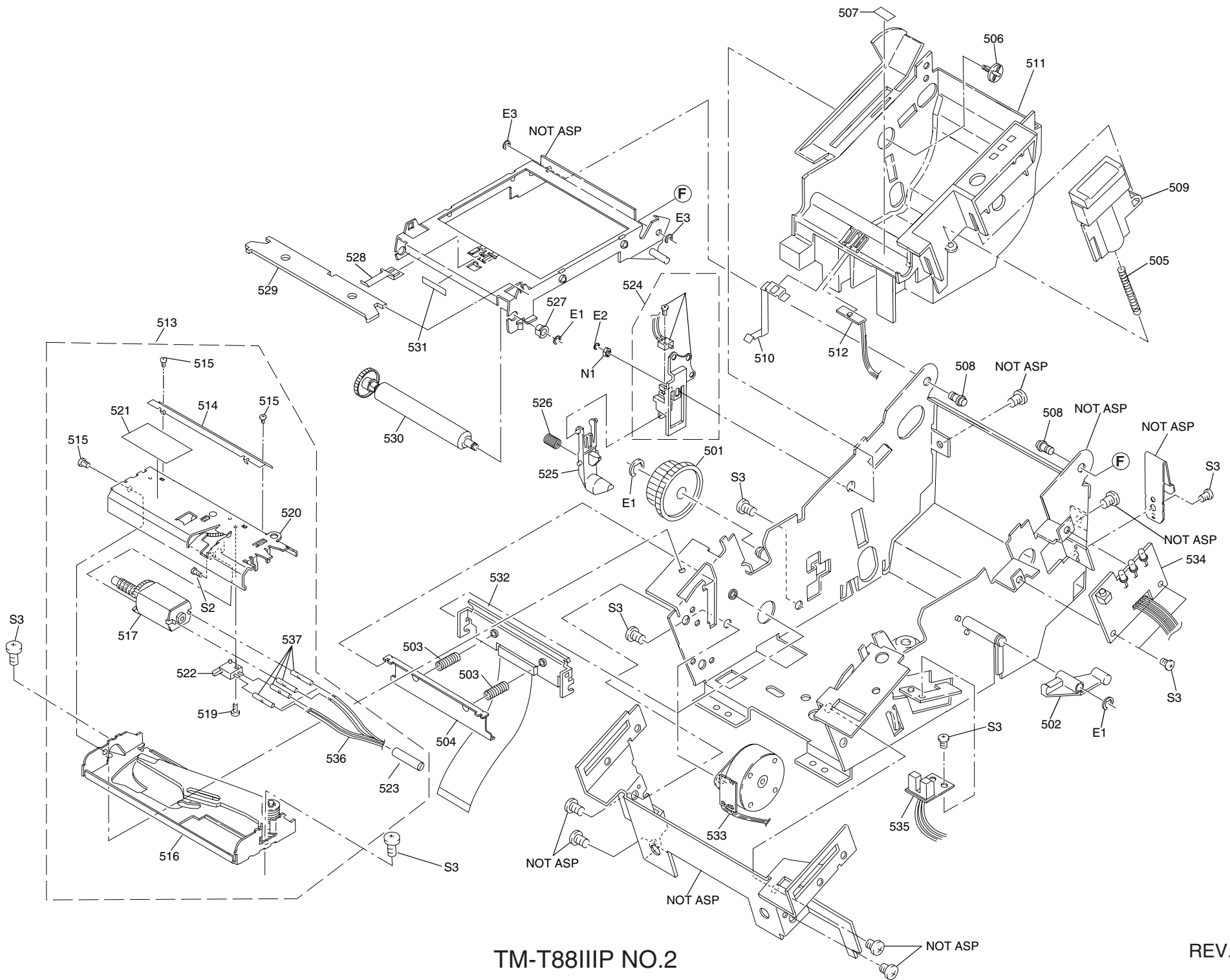
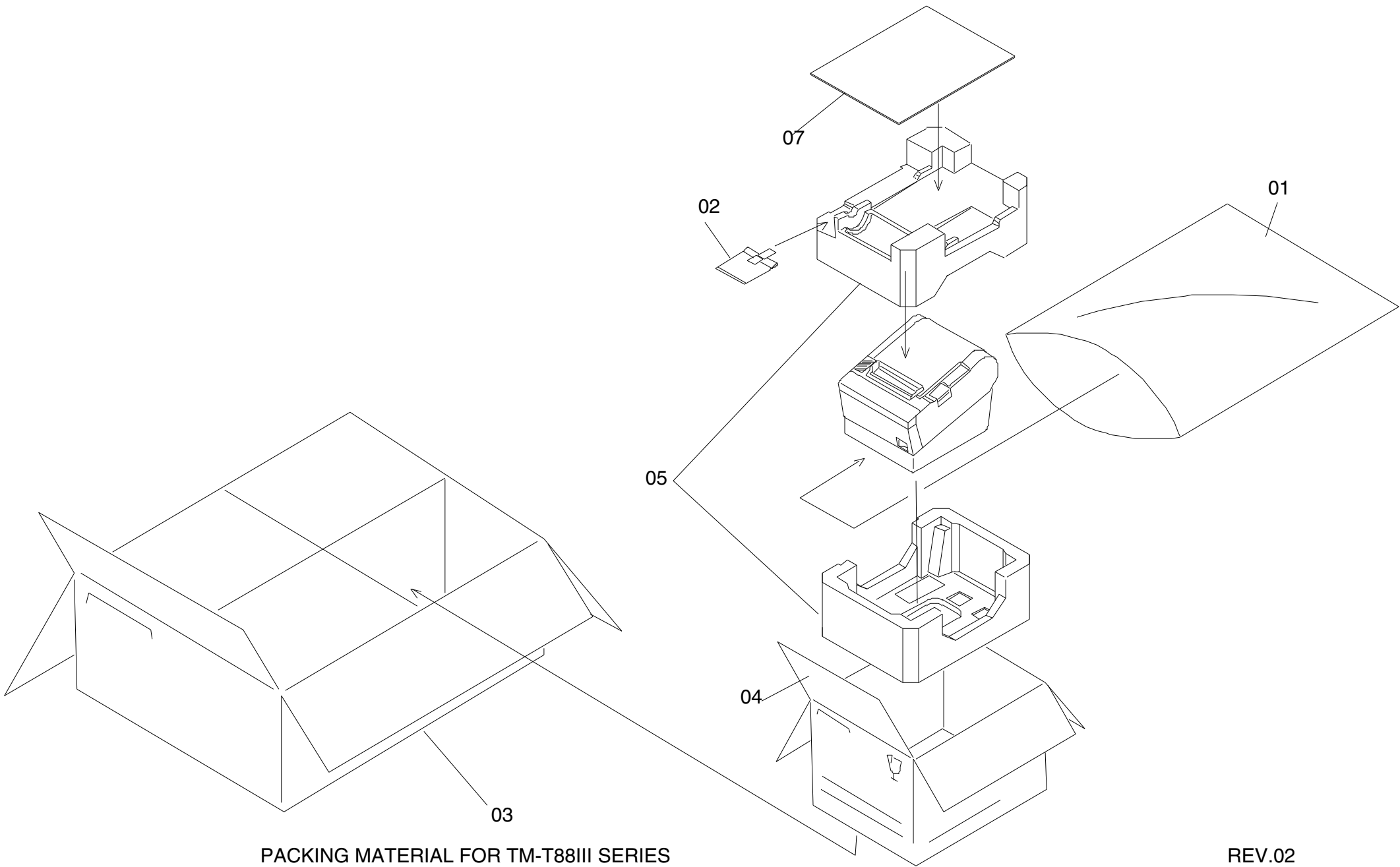


TM-T88IIIP NO.1





PACKING MATERIAL FOR TM-T88III SERIES