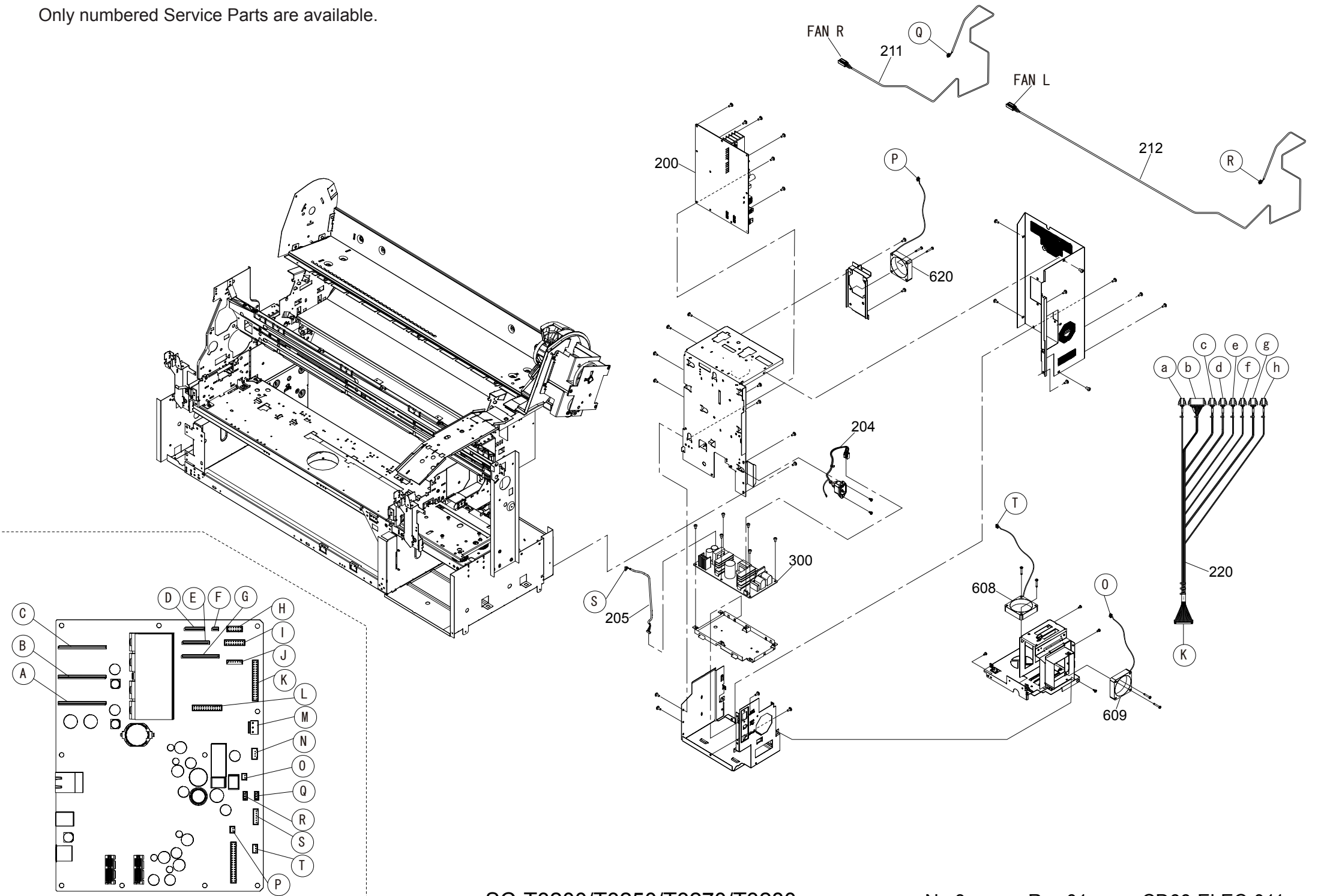




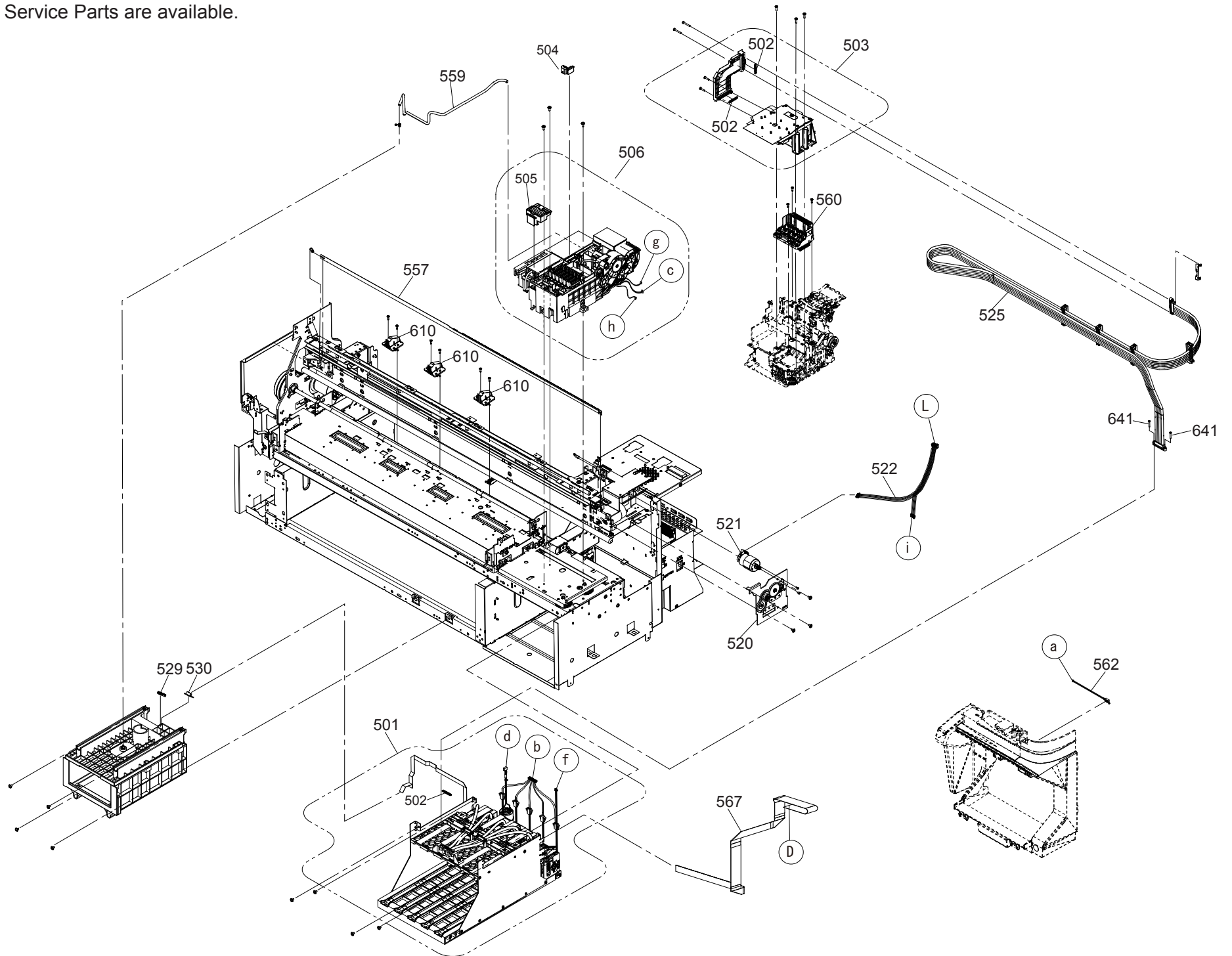
Only numbered Service Parts are available.



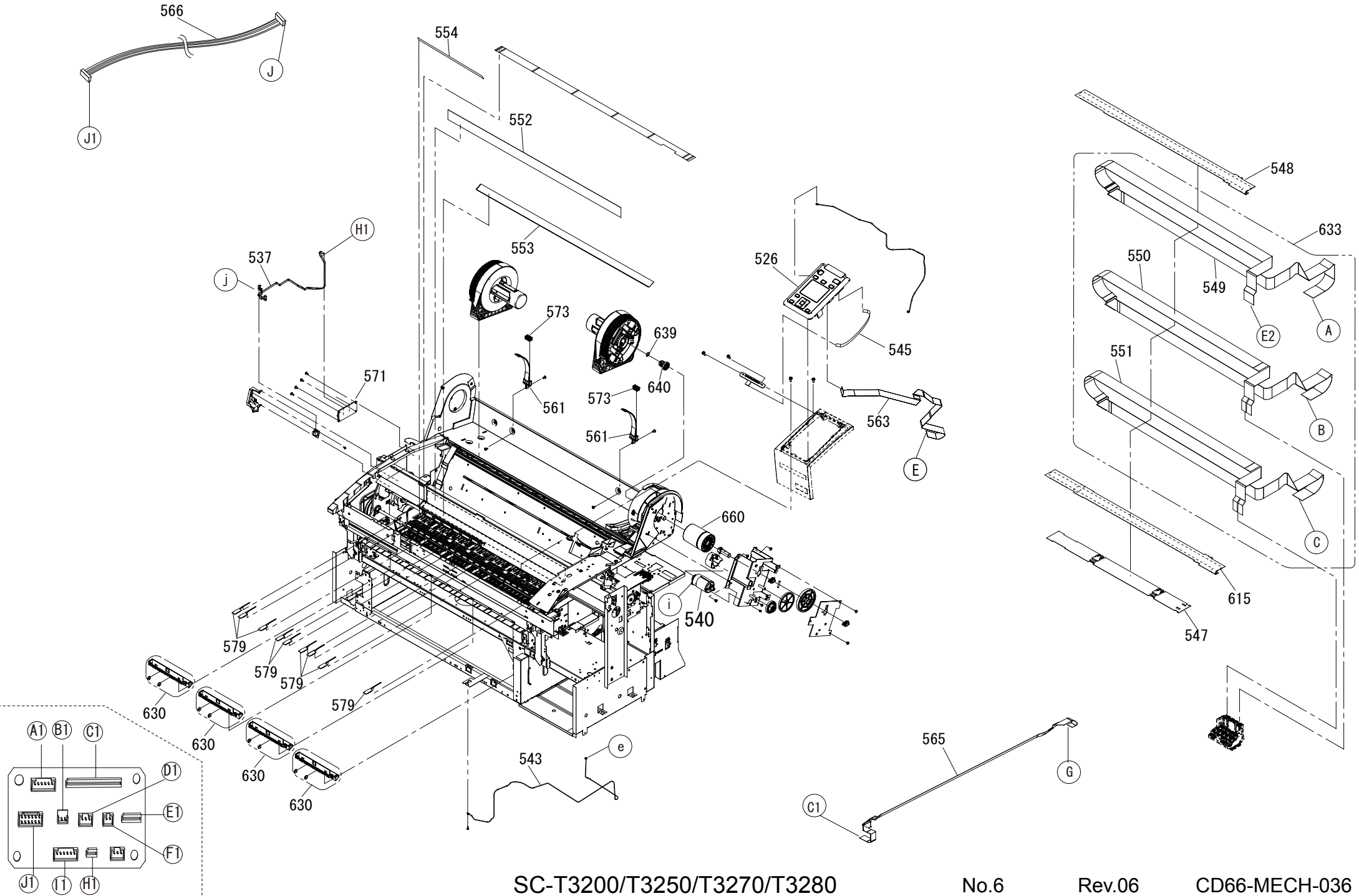
#200 (BOARD ASSY., MAIN)



Only numbered Service Parts are available.



Only numbered Service Parts are available.



SC-T3200/T3250/T3270/T3280

No.6

Rev.06

CD66-MECH-036

(#571 BOARD ASSY., SUB, CC15 SUB-B)