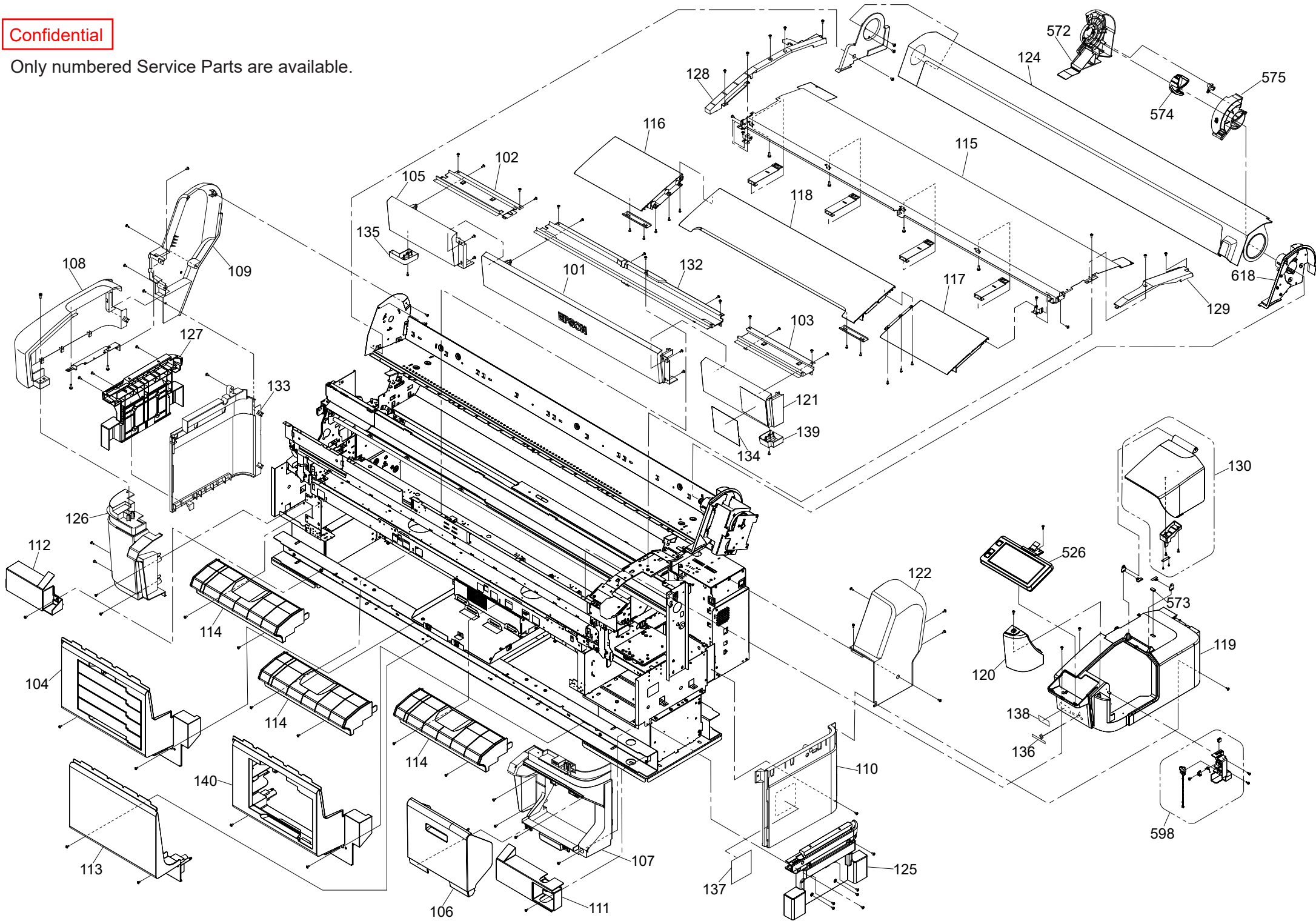
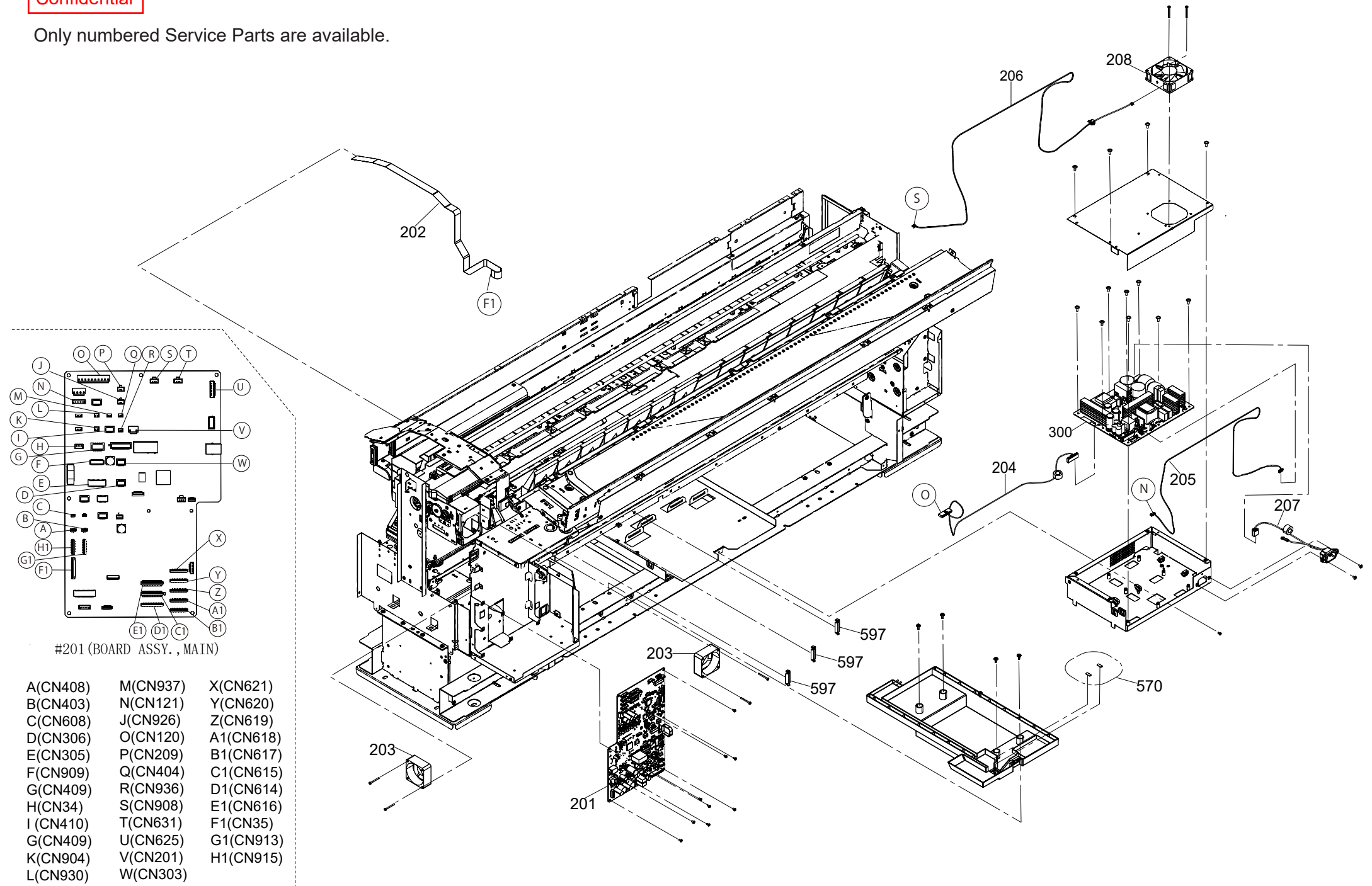


Confidential

Only numbered Service Parts are available.



Only numbered Service Parts are available.



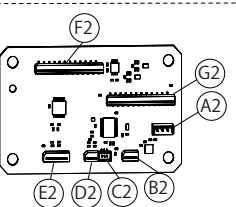
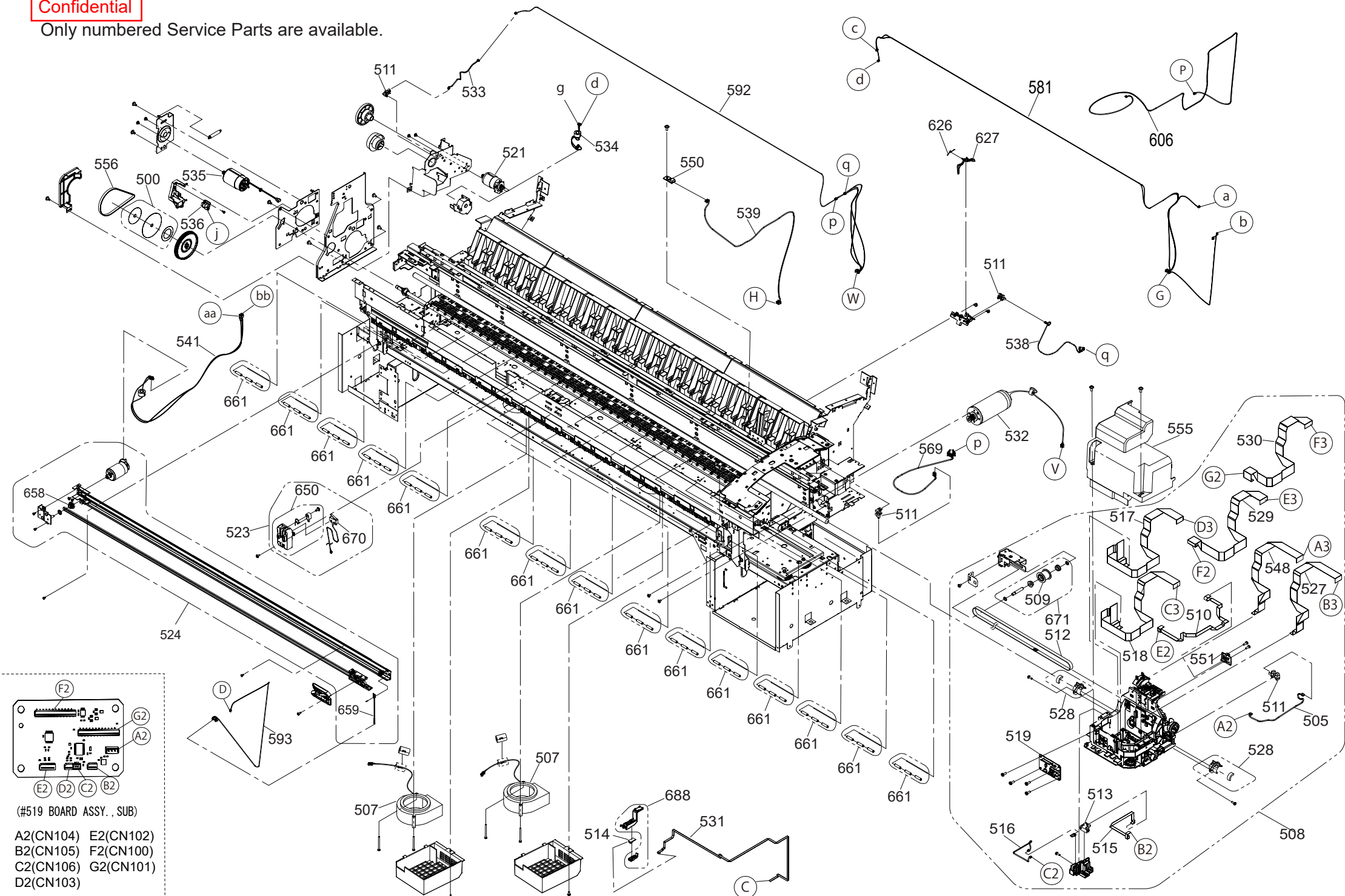
#201 (BOARD ASSY., MAIN)

A(CN408)	M(CN937)	X(CN621)
B(CN403)	N(CN121)	Y(CN620)
C(CN608)	J(CN926)	Z(CN619)
D(CN306)	O(CN120)	A1(CN618)
E(CN305)	P(CN209)	B1(CN617)
F(CN909)	Q(CN404)	C1(CN615)
G(CN409)	R(CN936)	D1(CN614)
H(CN34)	S(CN908)	E1(CN616)
I(CN410)	T(CN631)	F1(CN35)
G(CN409)	U(CN625)	G1(CN913)
K(CN904)	V(CN201)	H1(CN915)
L(CN930)	W(CN303)	

#201 (Letters and Board Assy
CN Correspondence list)

Confidential

Only numbered Service Parts are available.

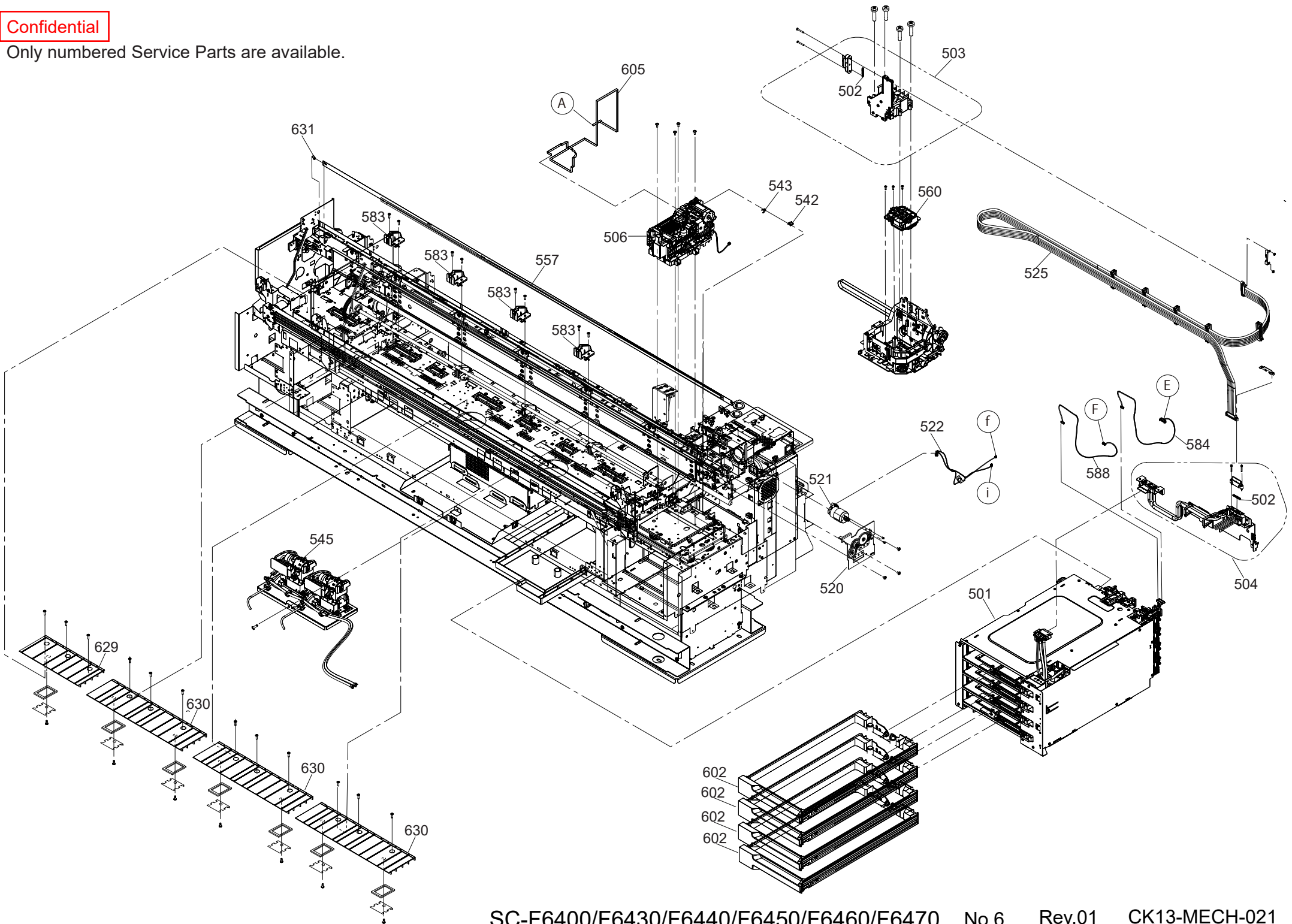


(#519 BOARD ASSY., SUB)
A2(CN104) E2(CN102)
B2(CN105) F2(CN100)
C2(CN106) G2(CN101)
D2(CN103)

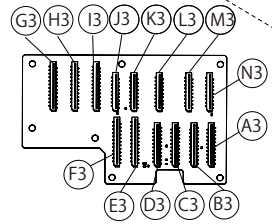
#519(Letters and Board Assy. CN Correspondence list)

Confidential

Only numbered Service Parts are available.



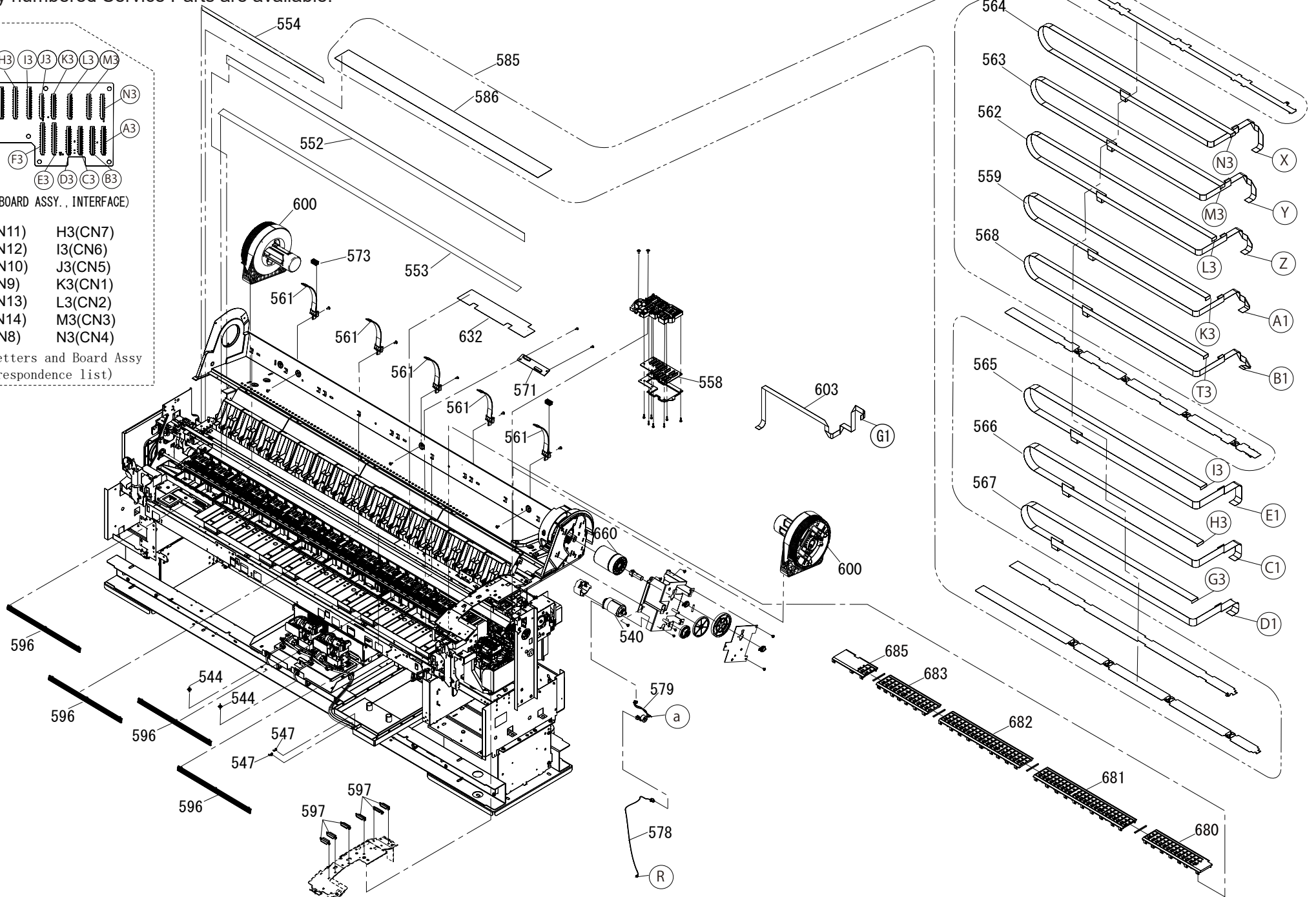
Only numbered Service Parts are available.



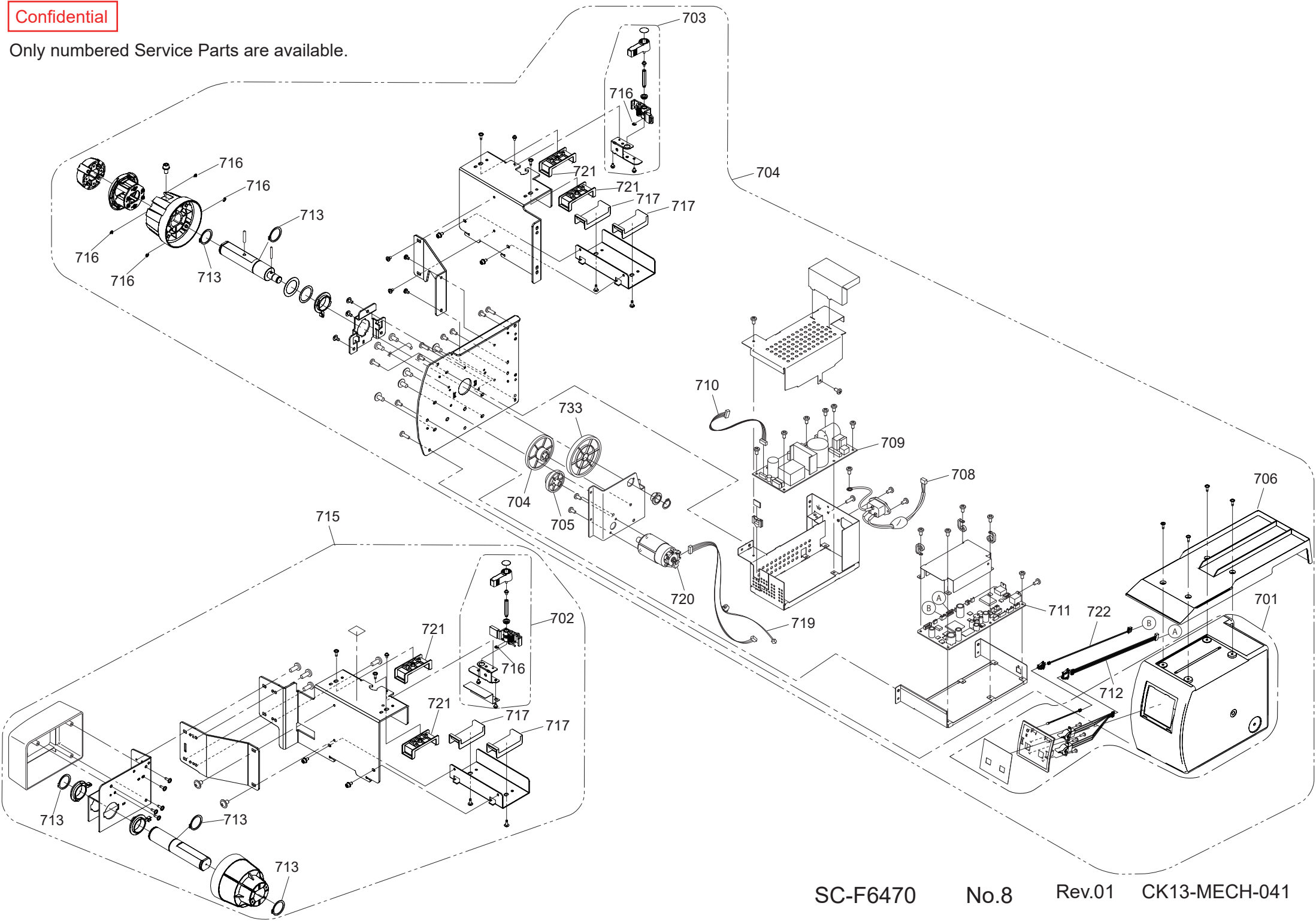
#558 BOARD ASSY., INTERFACE

- | | |
|----------|---------|
| A3(CN11) | H3(CN7) |
| B3(CN12) | I3(CN6) |
| C3(CN10) | J3(CN5) |
| D3(CN9) | K3(CN1) |
| E3(CN13) | L3(CN2) |
| F3(CN14) | M3(CN3) |
| G3(CN8) | N3(CN4) |

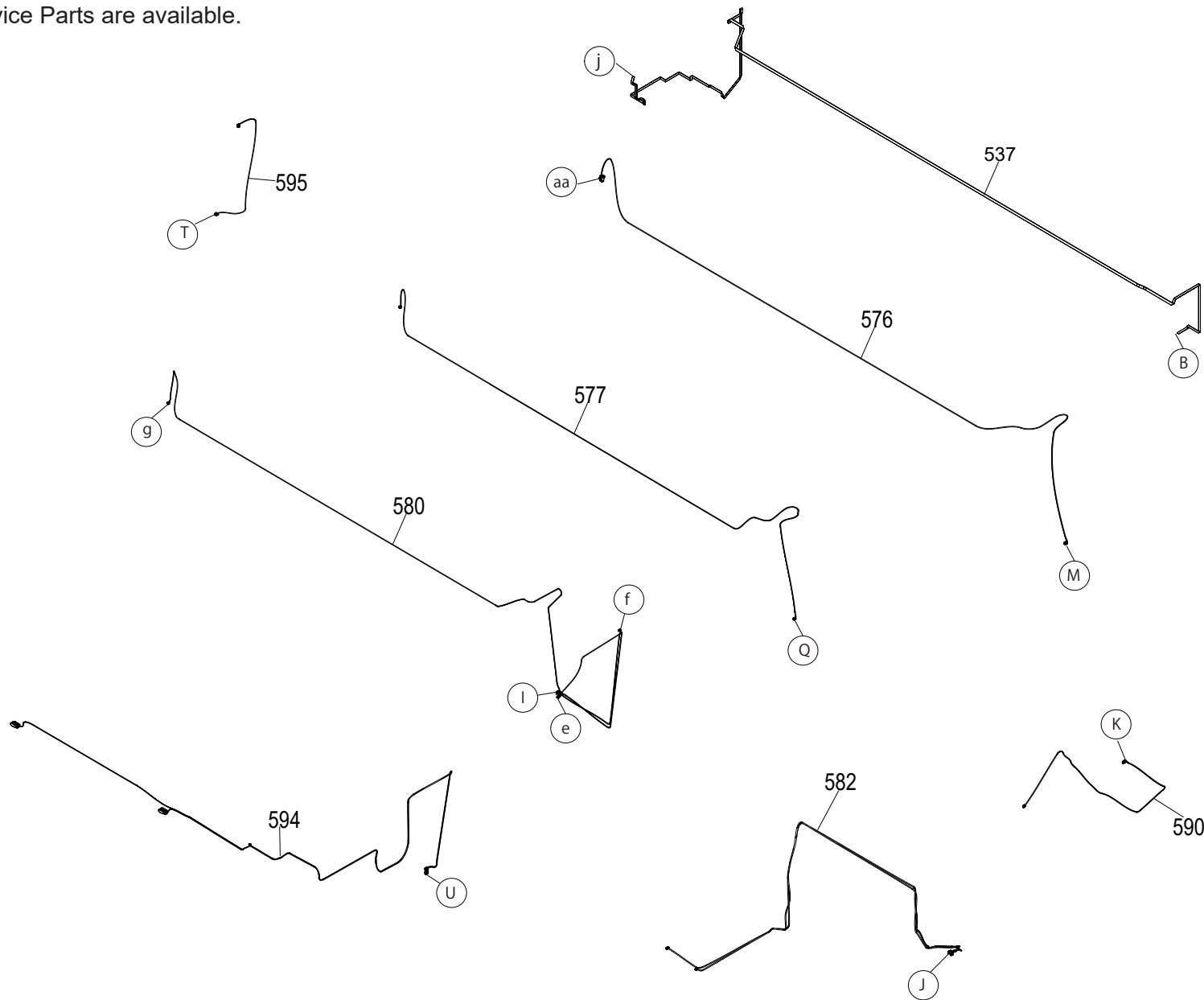
#558 (Letters and Board Assy CN Correspondence list)



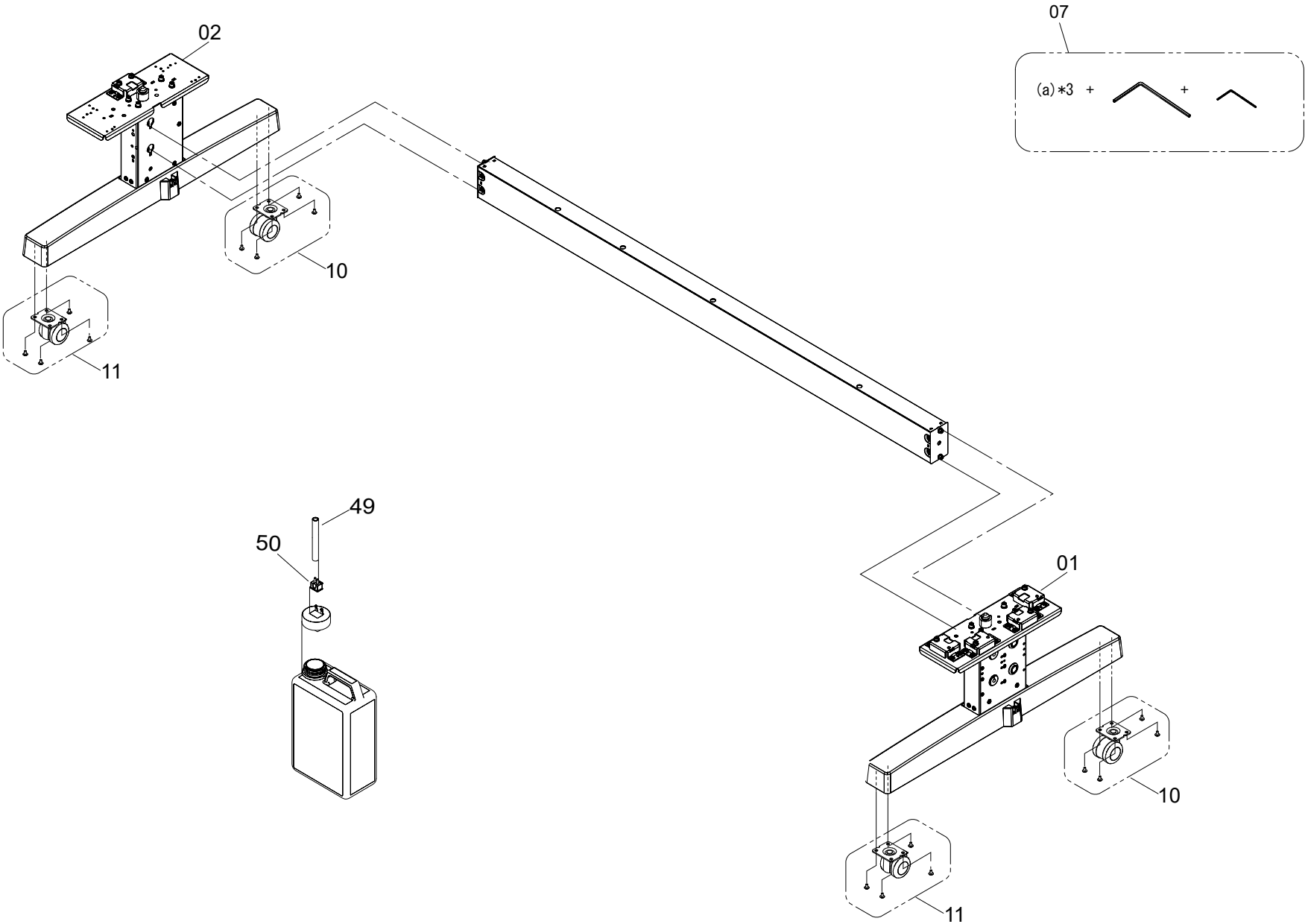
Only numbered Service Parts are available.



Only numbered Service Parts are available.



Only numbered Service Parts are available.



Confidential

Only numbered Service Parts are available.

