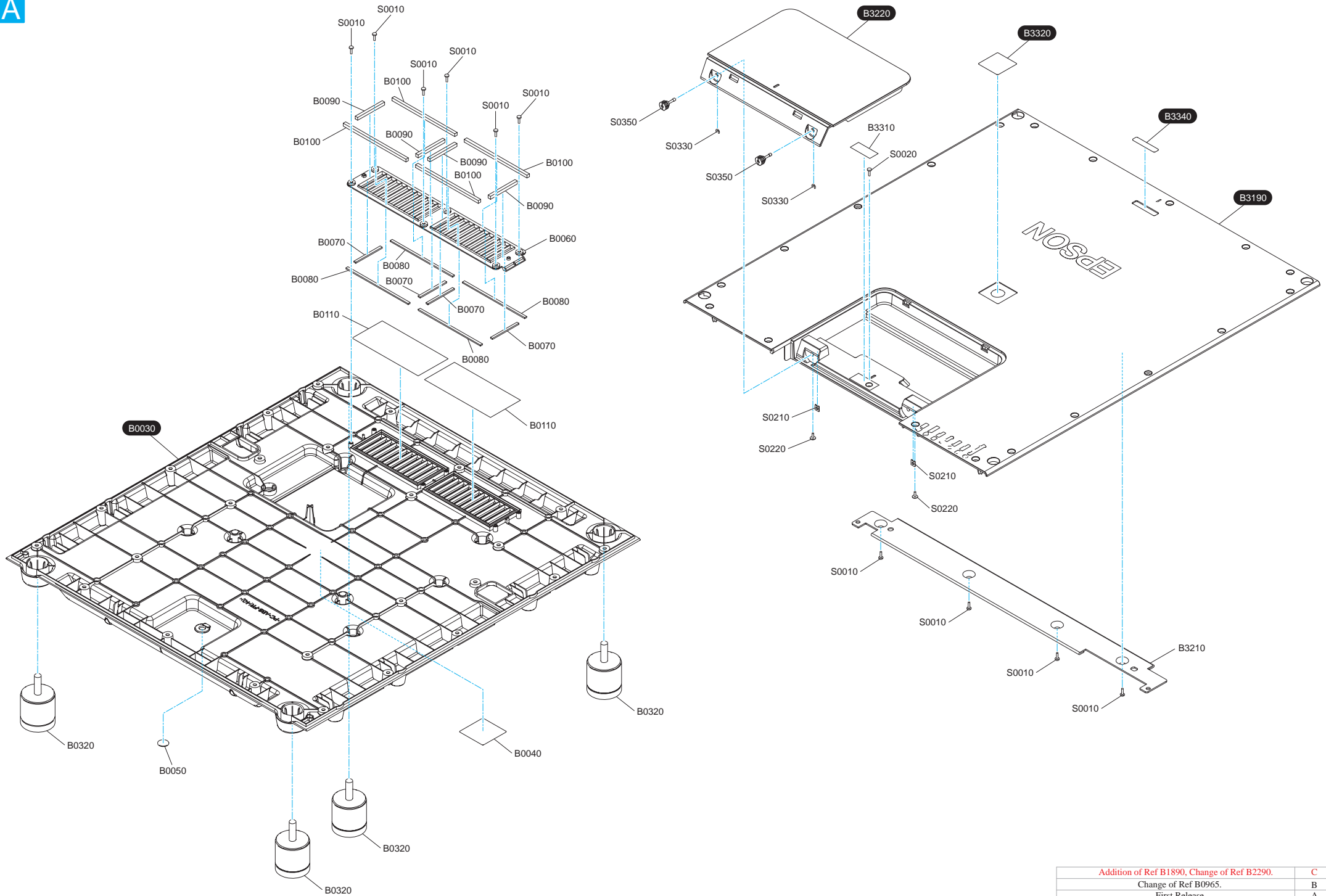


Notes:  
 White/Black reversed parts code (written by white text on black circle)  
 This parts are different by model and defined multiple parts code (please check SPI for actual parts code)  
 By case , some model have no parts though the parts is shown on this diagram.

|   |                                       |         |
|---|---------------------------------------|---------|
| Addition of Ref B1890, Change of Ref B2290. |                                       | C       |
| Change of Ref B0965.                        |                                       | B       |
| First Release                               |                                       | A       |
| History                                     |                                       | Rev.No. |
| Model Name                                  | EB-L12000Q/L12002Q/EB-L20000U/L20002U |         |



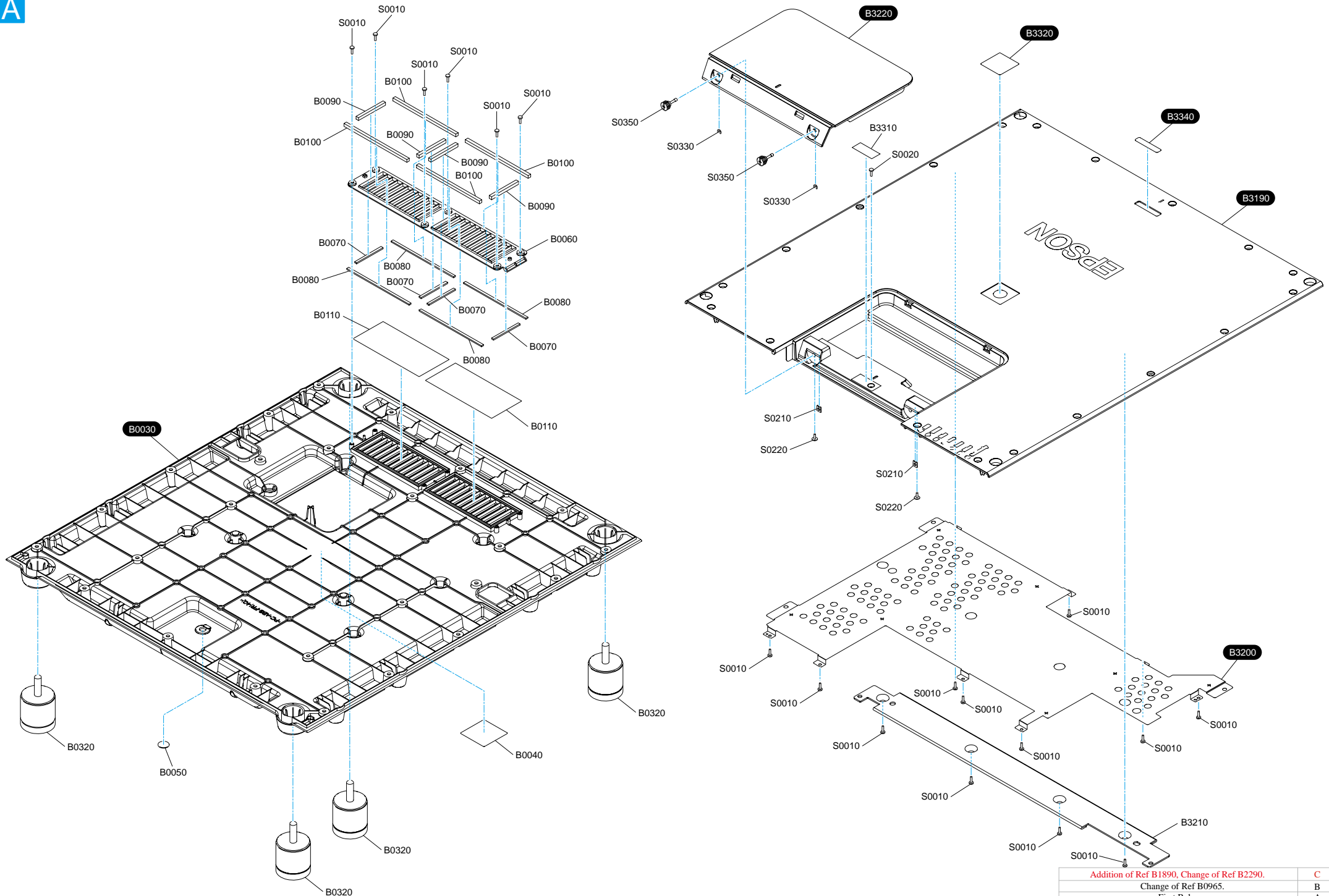
A



Notes:  
 White/Black reversed parts code (written by white text on black circle)  
 This parts are different by model and defined multiple parts code (please check SPI for actual parts code)  
 By case , some model have no parts though the parts is shown on this diagram.

|   |                    |         |
|---|--------------------|---------|
| Addition of Ref B1890, Change of Ref B2290. |                    | C       |
| Change of Ref B0965.                        |                    | B       |
| First Release                               |                    | A       |
| History                                     |                    | Rev.No. |
| Model Name                                  | EB-L20000U/L20002U |         |

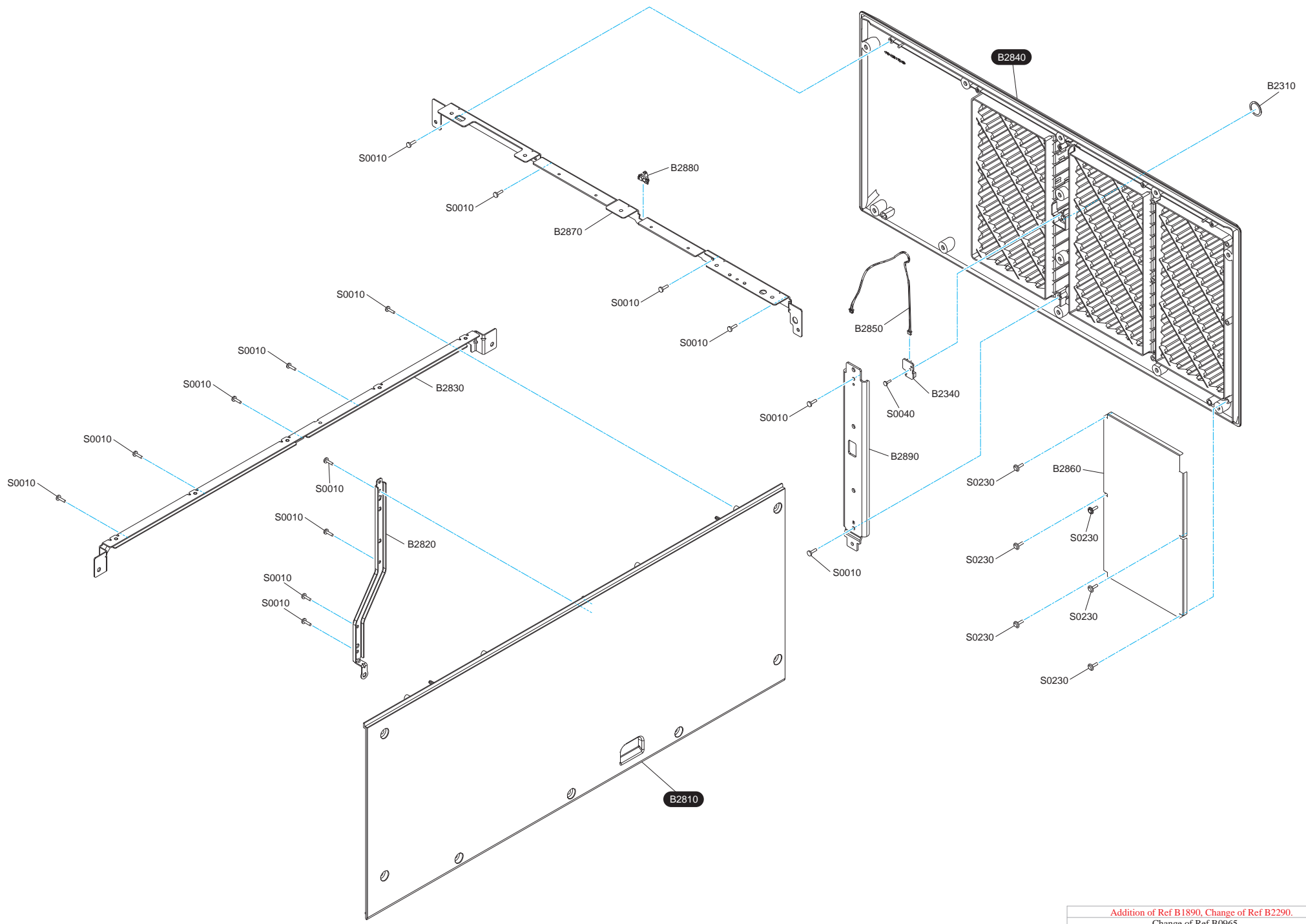
A



Notes:  
 White/Black reversed parts code (written by white text on black circle)  
 This parts are different by model and defined multiple parts code (please check SPI for actual parts code)  
 By case , some model have no parts though the parts is shown on this diagram.

|   |                    |         |
|---|--------------------|---------|
| Addition of Ref B1890, Change of Ref B2290. |                    | C       |
| Change of Ref B0965.                        |                    | B       |
| First Release                               |                    | A       |
| History                                     |                    | Rev.No. |
| Model Name                                  | EB-L12000Q/L12002Q |         |

B

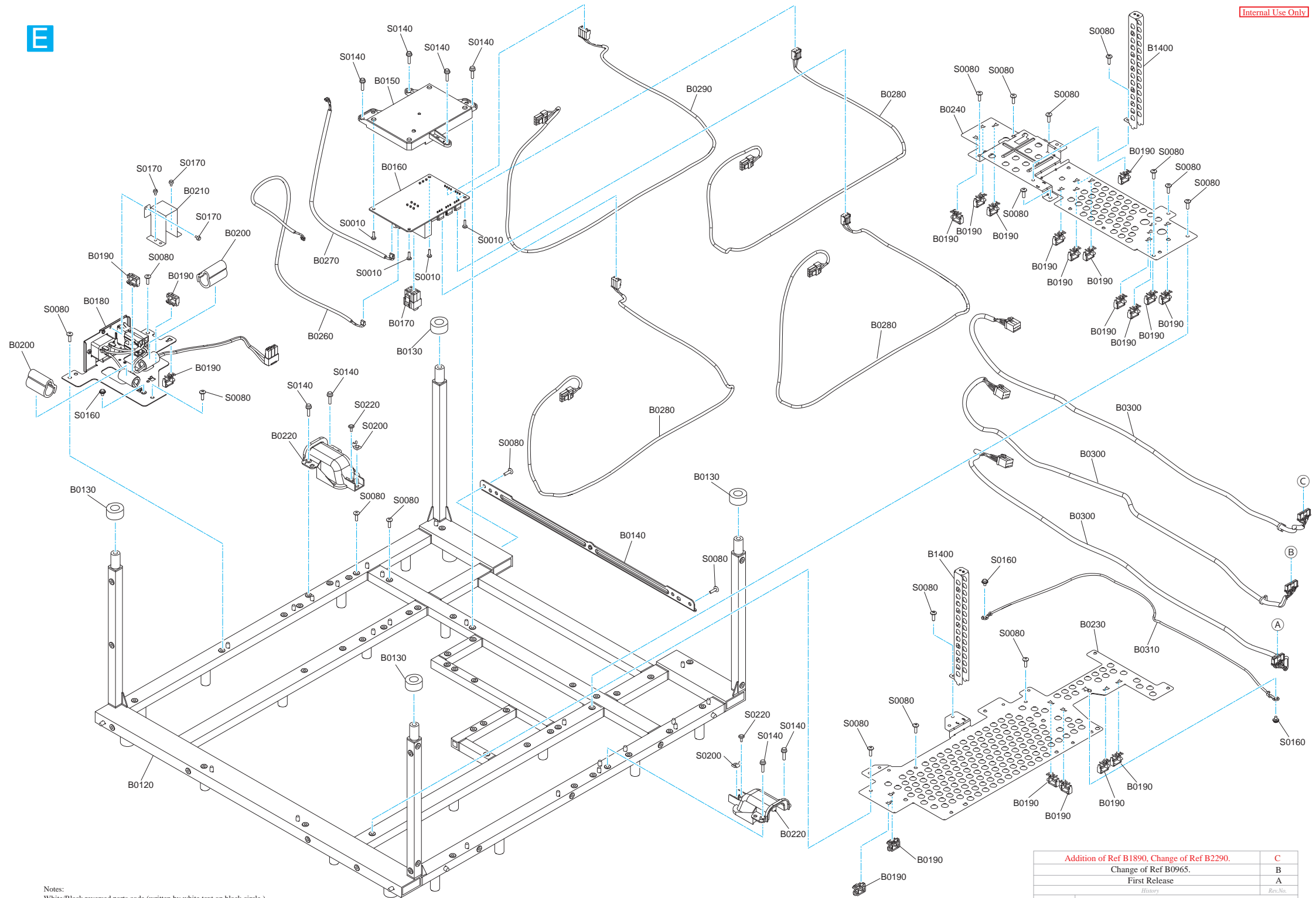


Notes:  
 White/Black reversed parts code (written by white text on black circle )  
 This parts are different by model and defined multiple parts code (please check SPI for actual parts code)  
 By case , some model have no parts though the parts is shown on this diagram.

|   |                                      |         |
|---|--------------------------------------|---------|
| Addition of Ref B1890, Change of Ref B2290. |                                      | C       |
| Change of Ref B0965.                        |                                      | B       |
| First Release                               |                                      | A       |
| History                                     |                                      | Rev.No. |
| Model Name                                  | EB-L12000Q/L12002Q/EB-L2000U/L20002U |         |







Notes:  
 White/Black reversed parts code (written by white text on black circle)  
 This parts are different by model and defined multiple parts code (please check SPI for actual parts code)  
 By case , some model have no parts though the parts is shown on this diagram.

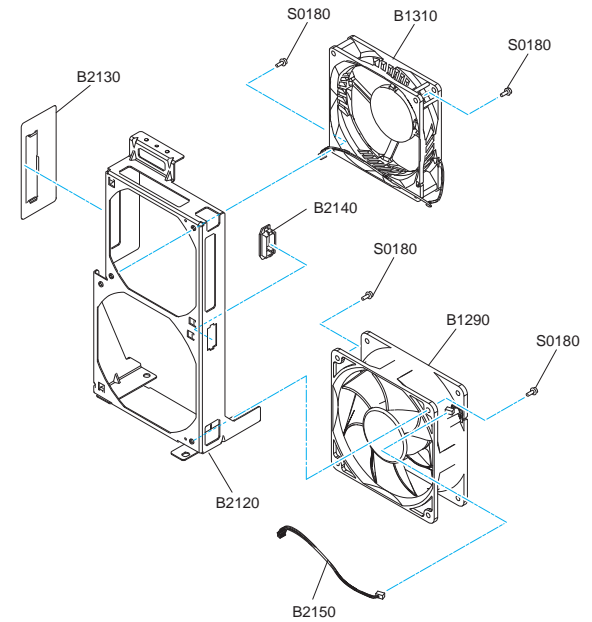
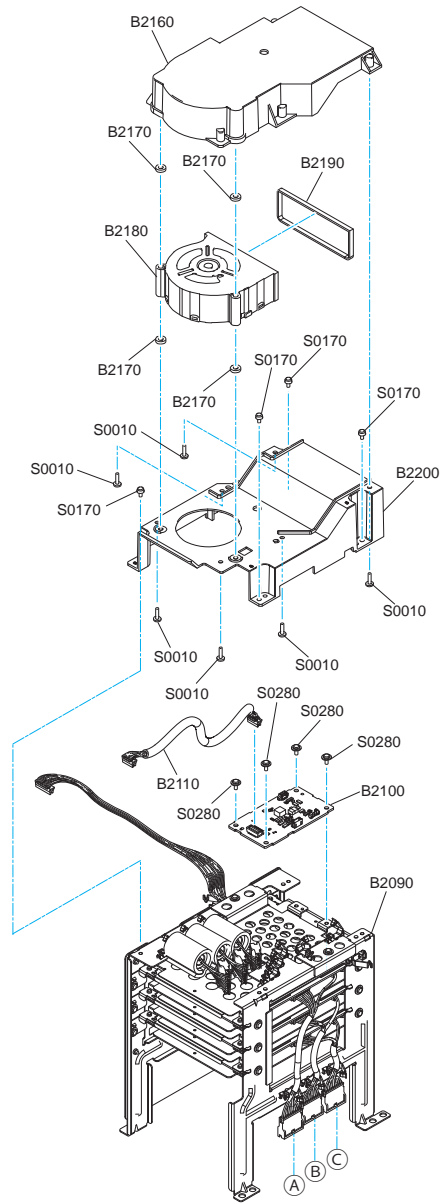
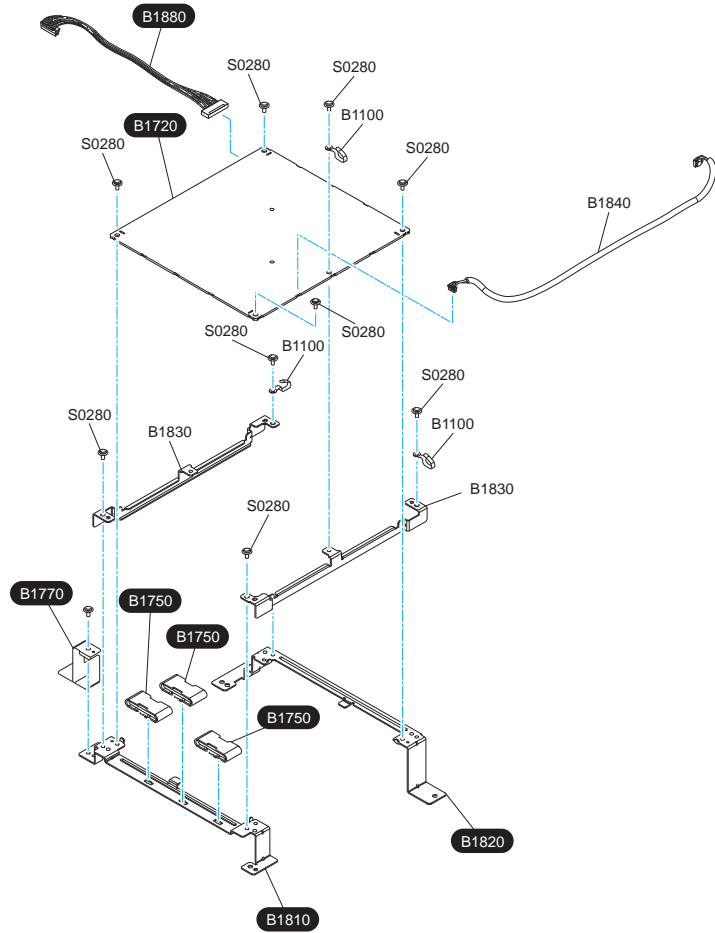
|   |                                       |         |
|---|---------------------------------------|---------|
| Addition of Ref B1890, Change of Ref B2290. |                                       | C       |
| Change of Ref B0965.                        |                                       | B       |
| First Release                               |                                       | A       |
| History                                     |                                       | Rev.No. |
| Model Name                                  | EB-L12000Q/L12002Q/EB-L20000U/L20002U |         |







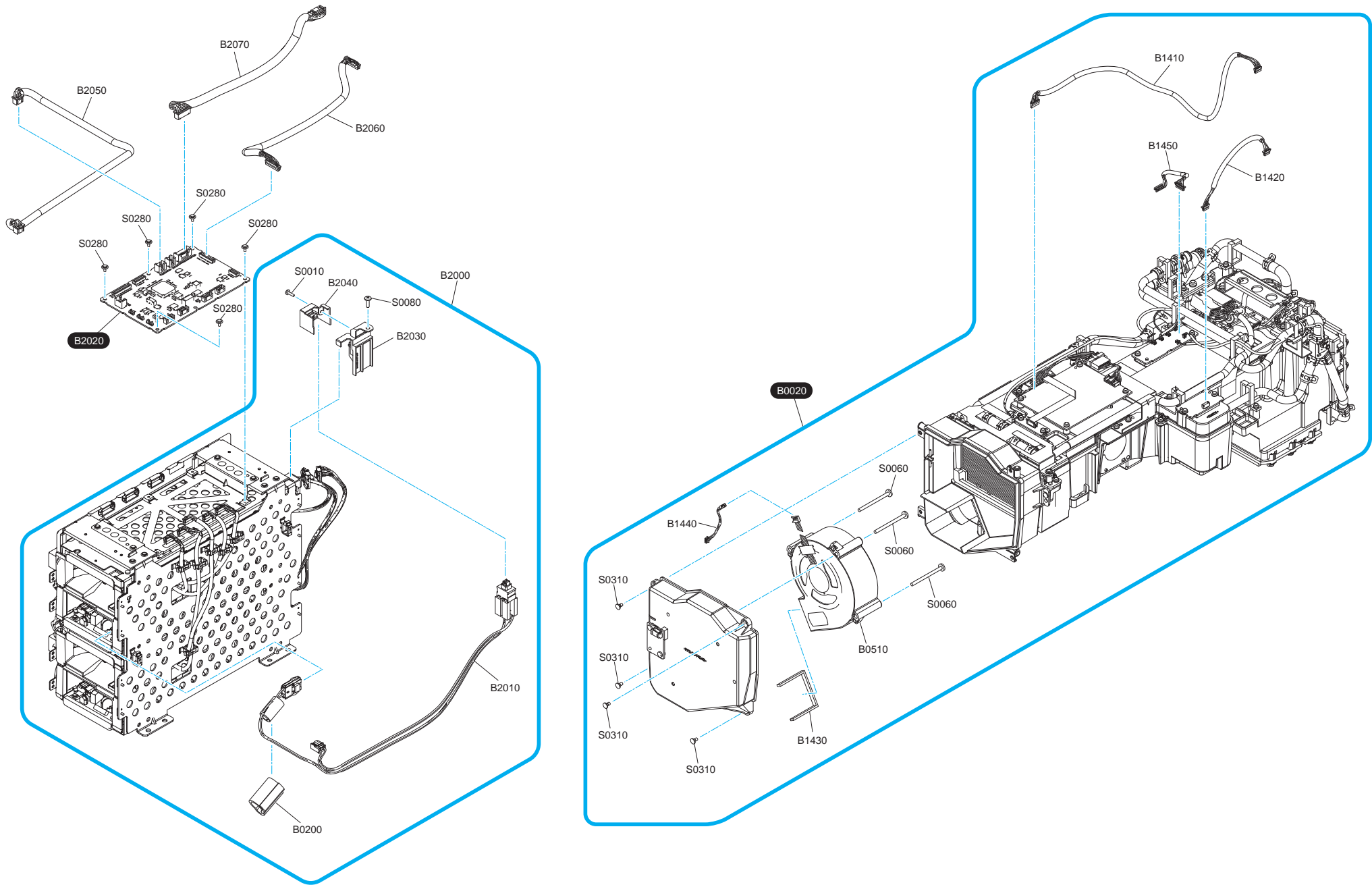




Notes:  
 White/Black reversed parts code (written by white text on black circle)  
 This parts are different by model and defined multiple parts code (please check SPI for actual parts code)  
 By case , some model have no parts though the parts is shown on this diagram.

|   |                    |         |
|---|--------------------|---------|
| Addition of Ref B1890, Change of Ref B2290. |                    | C       |
| Change of Ref B0965.                        |                    | B       |
| First Release                               |                    | A       |
| History                                     |                    | Rev.No. |
| Model Name                                  | EB-L20000U/L20002U |         |

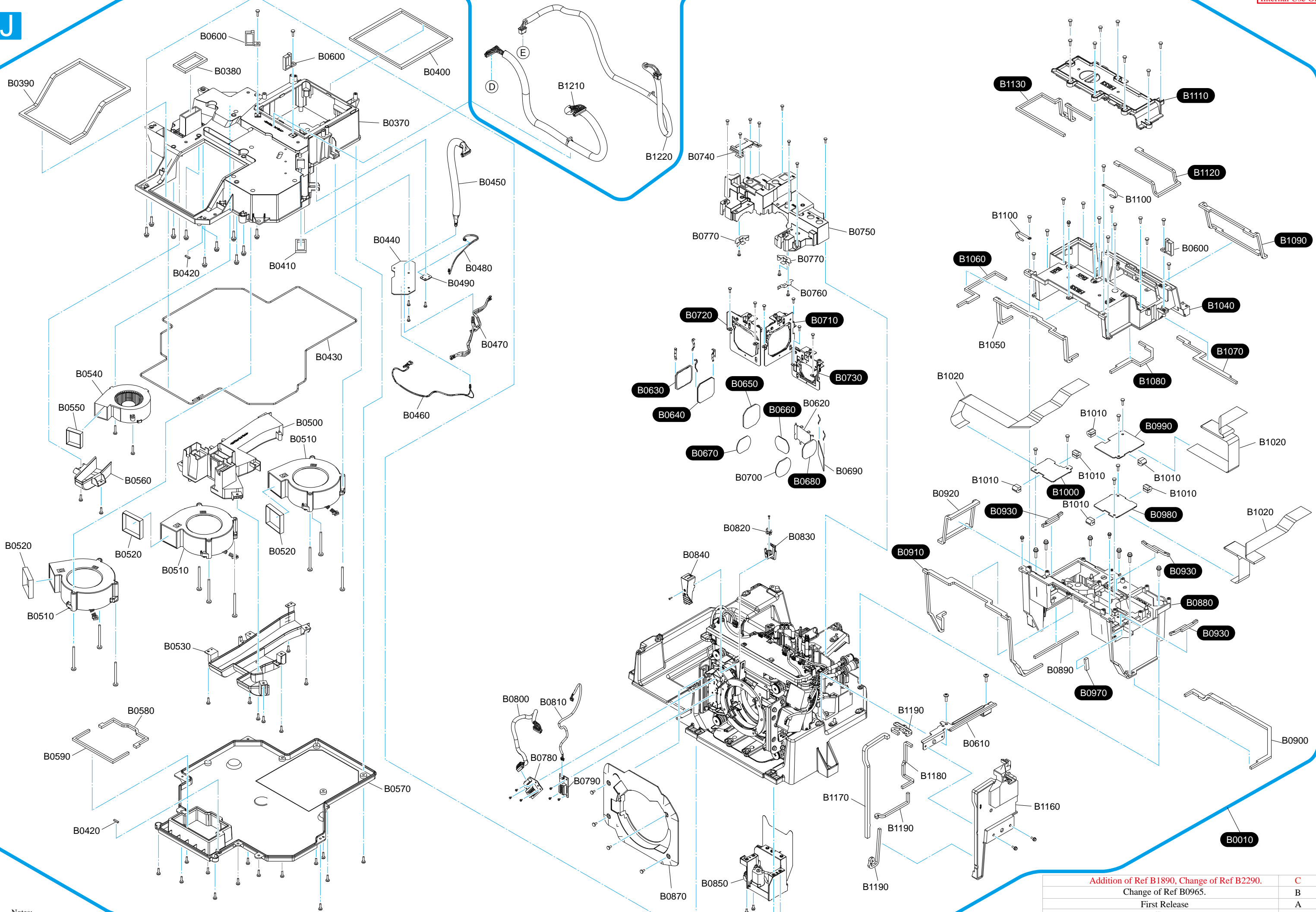




Notes:  
 White/Black reversed parts code (written by white text on black circle)  
 This parts are different by model and defined multiple parts code (please check SPI for actual parts code)  
 By case , some model have no parts though the parts is shown on this diagram.

|   |                                       |                |
|---|---------------------------------------|----------------|
| Addition of Ref B1890, Change of Ref B2290. |                                       | C              |
| Change of Ref B0965.                        |                                       | B              |
| First Release                               |                                       | A              |
| <i>History</i>                              |                                       | <i>Rev.No.</i> |
| Model Name                                  | EB-L12000Q/L12002Q/EB-L20000U/L20002U |                |

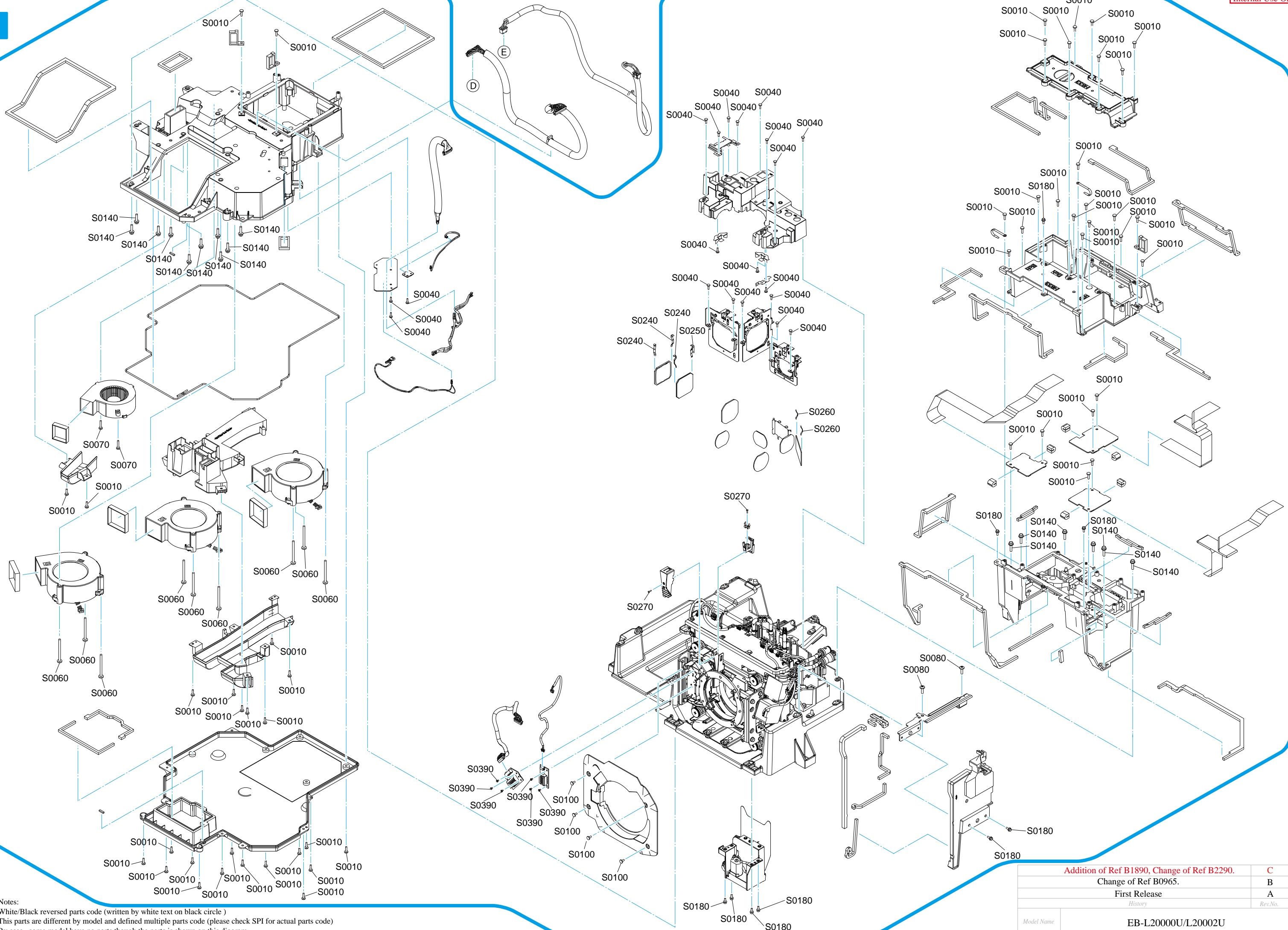
J



Notes:  
 White/Black reversed parts code (written by white text on black circle )  
 This parts are different by model and defined multiple parts code (please check SPI for actual parts code)  
 By case , some model have no parts though the parts is shown on this diagram.

|   |                    |         |
|---|--------------------|---------|
| Addition of Ref B1890, Change of Ref B2290. |                    | C       |
| Change of Ref B0965.                        |                    | B       |
| First Release                               |                    | A       |
| History                                     |                    | Rev.No. |
| Model Name                                  | EB-L20000U/L20002U |         |

J



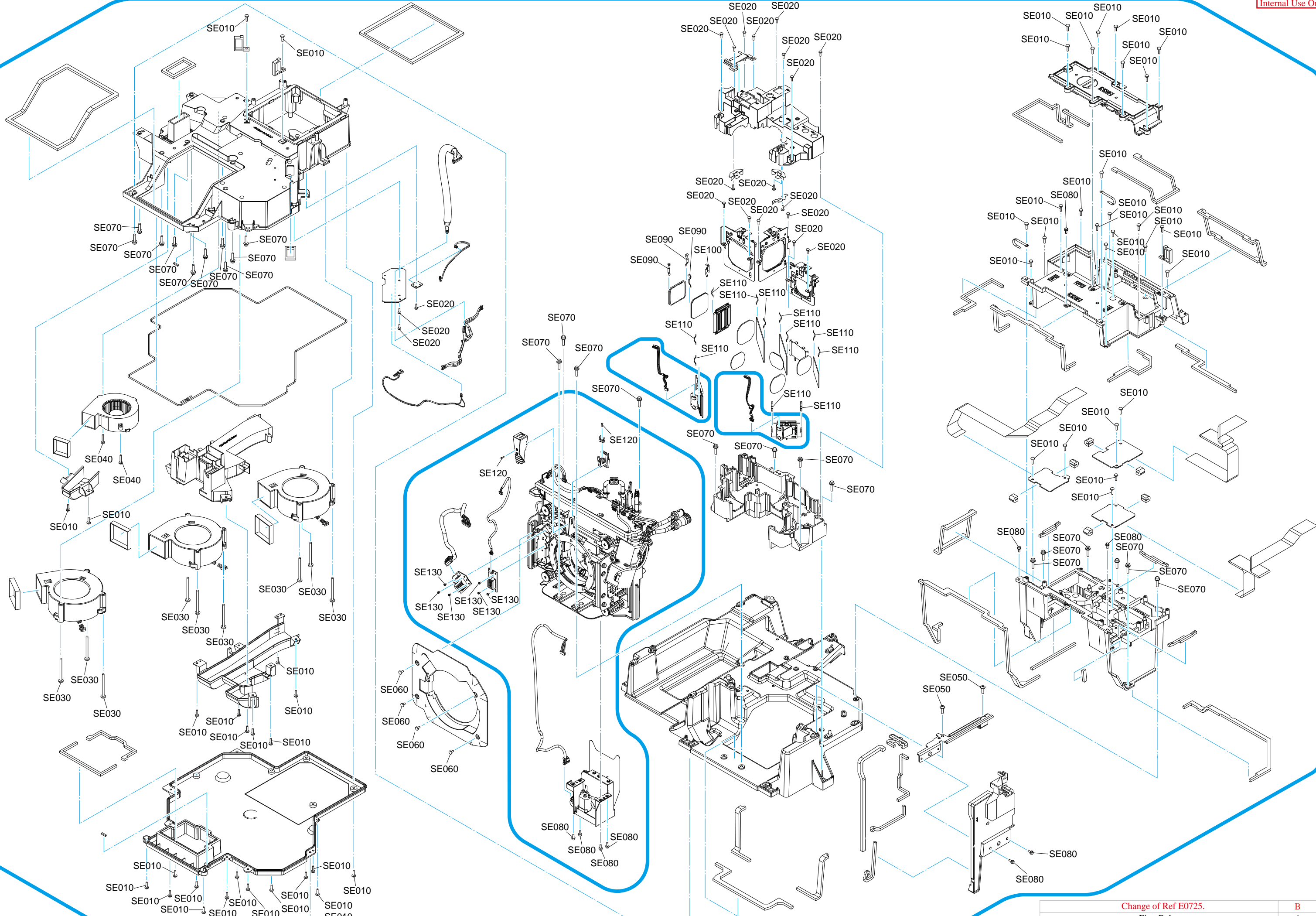
Notes:  
 White/Black reversed parts code (written by white text on black circle)  
 This parts are different by model and defined multiple parts code (please check SPI for actual parts code)  
 By case , some model have no parts though the parts is shown on this diagram.

|   |                    |         |
|---|--------------------|---------|
| Addition of Ref B1890, Change of Ref B2290. |                    | C       |
| Change of Ref B0965.                        |                    | B       |
| First Release                               |                    | A       |
| History                                     |                    | Rev.No. |
| Model Name                                  | EB-L20000U/L20002U |         |



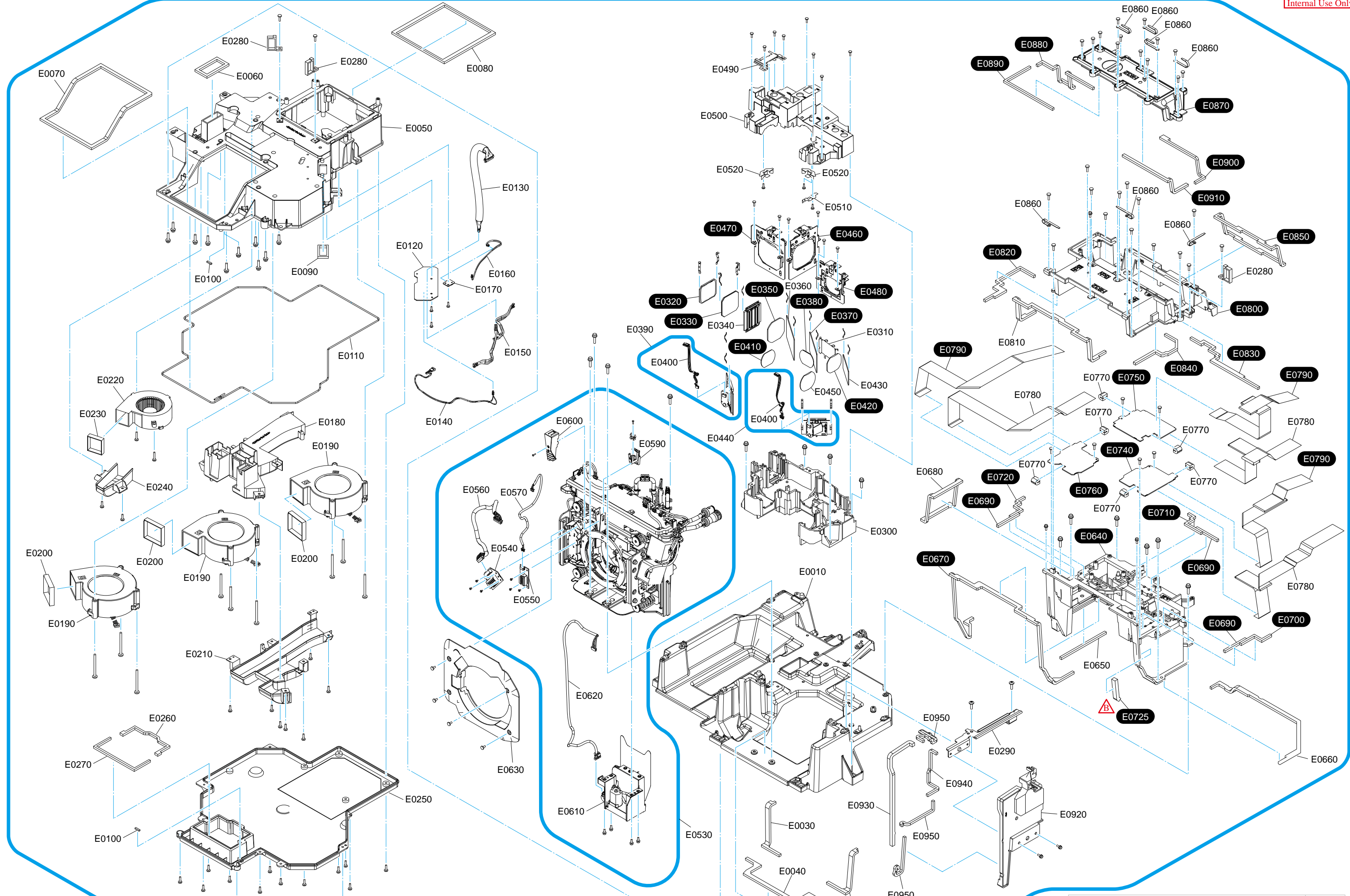






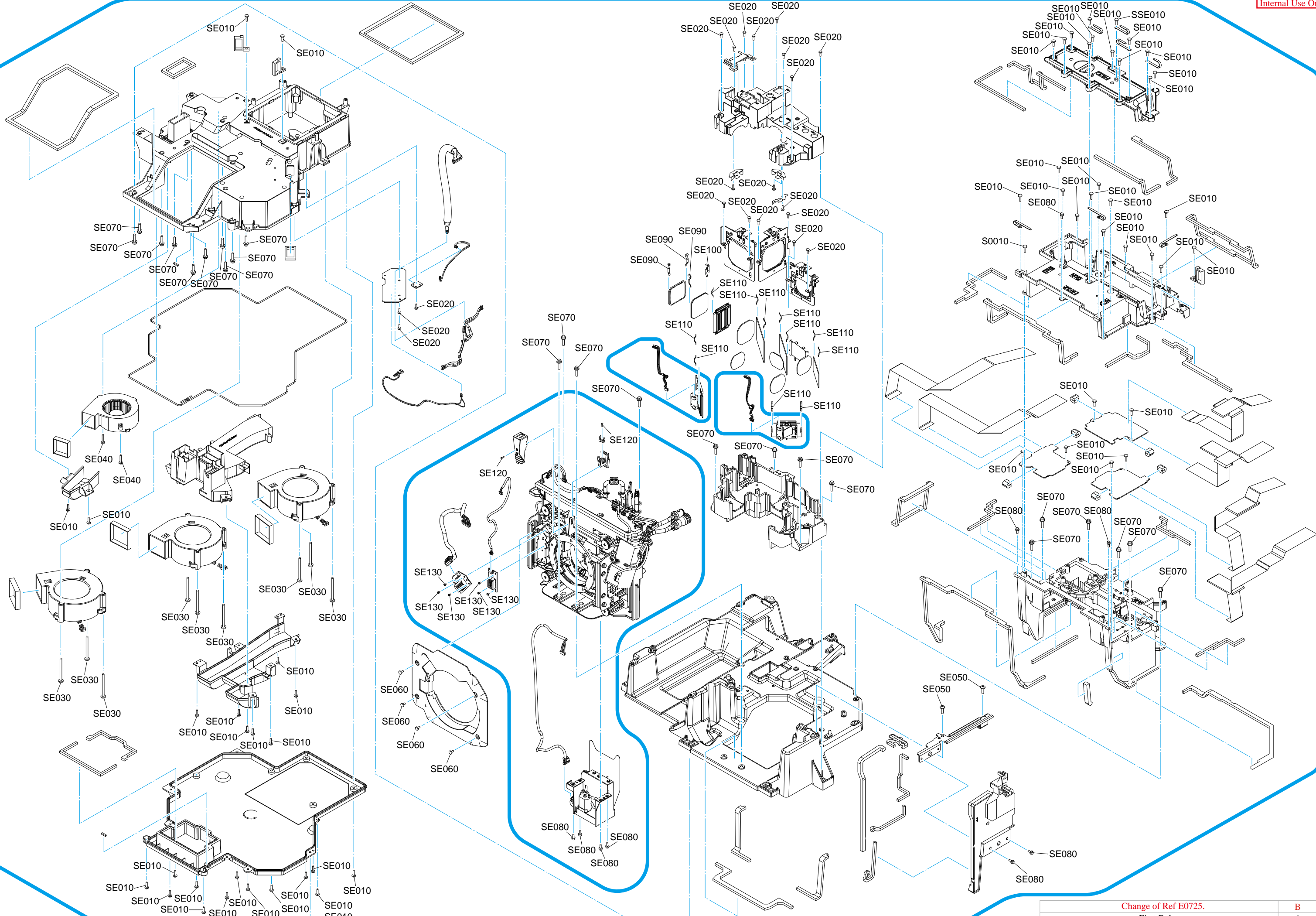
Notes:  
 White/Black reversed parts code (written by white text on black circle )  
 This parts are different by model and defined multiple parts code (please check SPI for actual parts code)  
 By case , some model have no parts though the parts is shown on this diagram.

|                      |                    |         |
|----------------------|--------------------|---------|
| Change of Ref E0725. |                    | B       |
| First Release        |                    | A       |
| History              |                    | Rev.No. |
| Model Name           | EB-L20000U/L20002U |         |



Notes:  
 White/Black reversed parts code (written by white text on black circle )  
 This parts are different by model and defined multiple parts code (please check SPI for actual parts code)  
 By case , some model have no parts though the parts is shown on this diagram.

|                      |                    |         |
|----------------------|--------------------|---------|
| Change of Ref E0725. |                    | B       |
| First Release        |                    | A       |
| History              |                    | Rev.No. |
| Model Name           | EB-L12000Q/L12002Q |         |



Notes:  
 White/Black reversed parts code (written by white text on black circle )  
 This parts are different by model and defined multiple parts code (please check SPI for actual parts code)  
 By case , some model have no parts though the parts is shown on this diagram.

|                      |                    |         |
|----------------------|--------------------|---------|
| Change of Ref E0725. |                    | B       |
| First Release        |                    | A       |
| History              |                    | Rev.No. |
| Model Name           | EB-L12000Q/L12002Q |         |