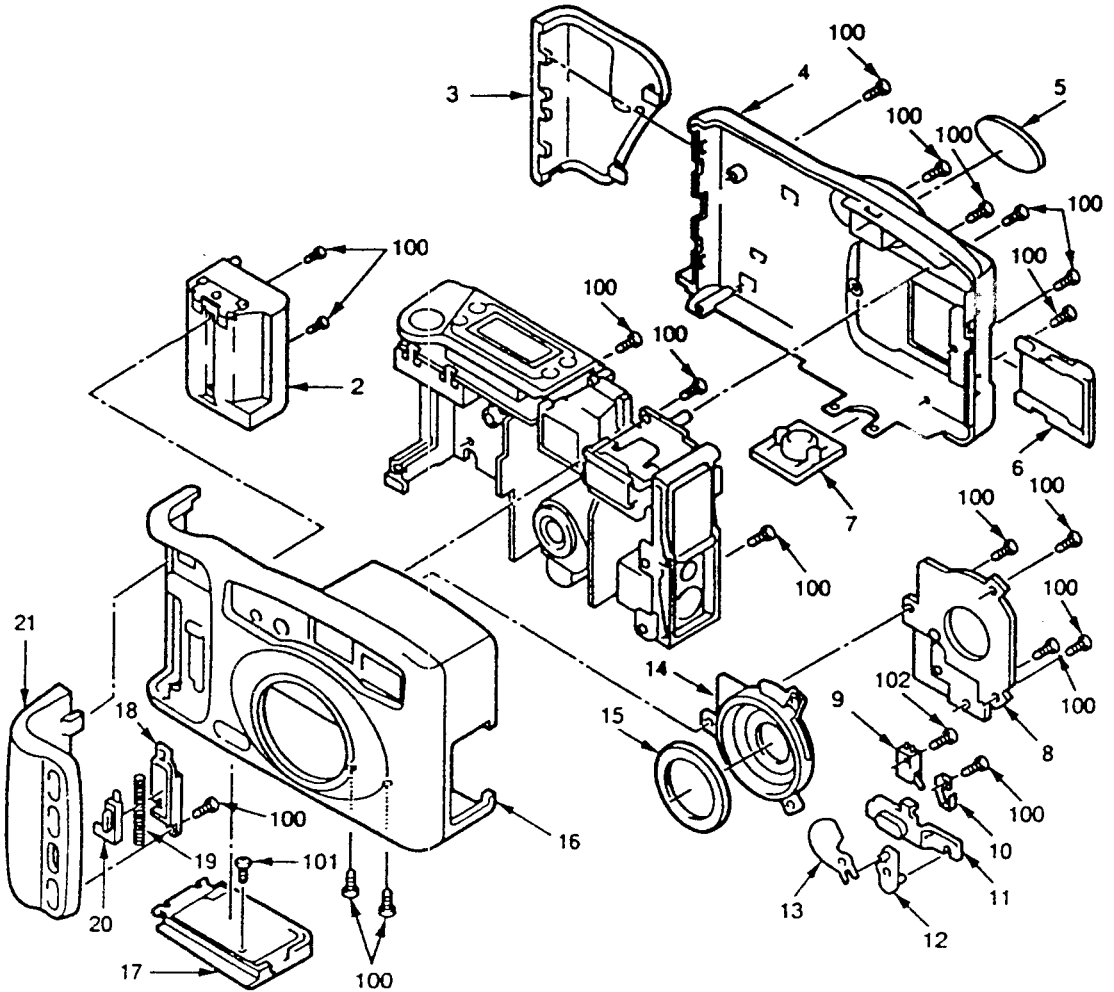
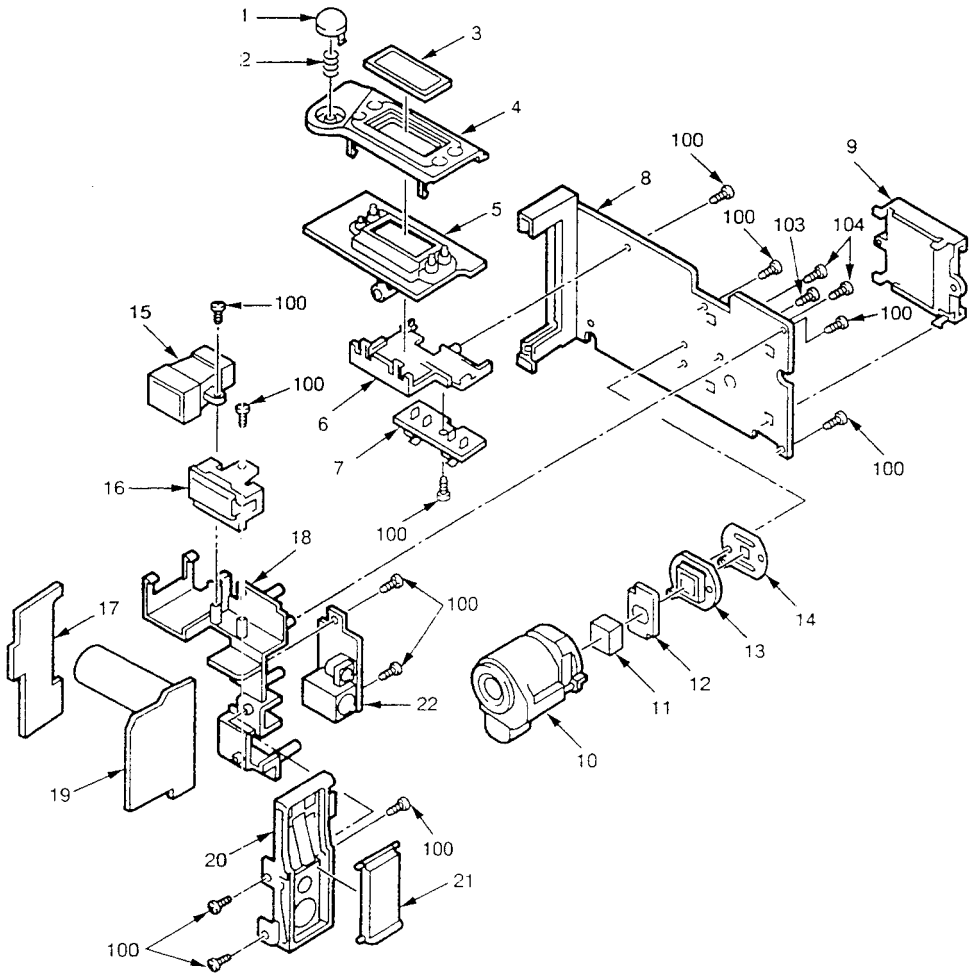


LOCATION	STOCK No.	DESCRIPTION	LOCATION	STOCK No.	DESCRIPTION
			5		DEC VF
			6		COVER PLUG
			7		STAND TRI
			8		HOLDER LENS
			9		ASSY, KNOB POWER SW
			10		SPRING P LENS
			11		KNOB POWER
			12		LEVER LENS
			13		COVER LENS
			14		RING
			15		DEC LENS
			16		ASSY, CABINET FRONT
			17		COMPL. COVER BATTERY
			18		HOLDER EX MEMO
			19		SPRING C EX MEMO
			20		KNOB EX MEMO
			21		COVER EX MEMO
[CABINET 1]			100		SCR S-TPG PAN PCS 2X5
1		TERMINAL PLATE	101		SCR S-TPG PAN PCS 2X2.5
2		COMPL. HOLDER BATTERY	102		SCR S-TPG PAN PCS 1.7X8
3		COVER BACK			
4		CABINET BACK			



PHOTOPC 500
CABINET 1

LOCATION	STOCK No.	DESCRIPTION	LOCATION	STOCK No.	DESCRIPTION
[CABINET 2]			12		SPACER
1		BUTTON SHUTTER	13		ASSY. UNIT, CCD
2		SPRING C SHUTTER	14		SPACER, INSULATOR
3		DEC. LCD	15		ASSY. LENS, VF
4		CAEINET TOP	16		COMPL. REFLECTOR UNIT
5		COMPL. PWB SY-1	17		COMPL. PWB PW-1
6		HOLDER TB2	18		HOLDER CHASSIS
7		COMPL. PWB TB-2	19		COMPL. PWB ST-1
8		COMPL. PWB CA-1	20		HOLDER TERMINAL
9		PLUG, 24P	21		COVER TERMINAL
10		ASSY. LENS	22		COMPL. PWB TB-1
11		OPTICAL FILTER	100		SCR S-TPG PAN PCS 2X5
OR		OPTICAL FILTER	103		SCR PAN 2X4
			104		SCR S-TPG BIN 2X6



PHOTOPC 500
CABINET 2