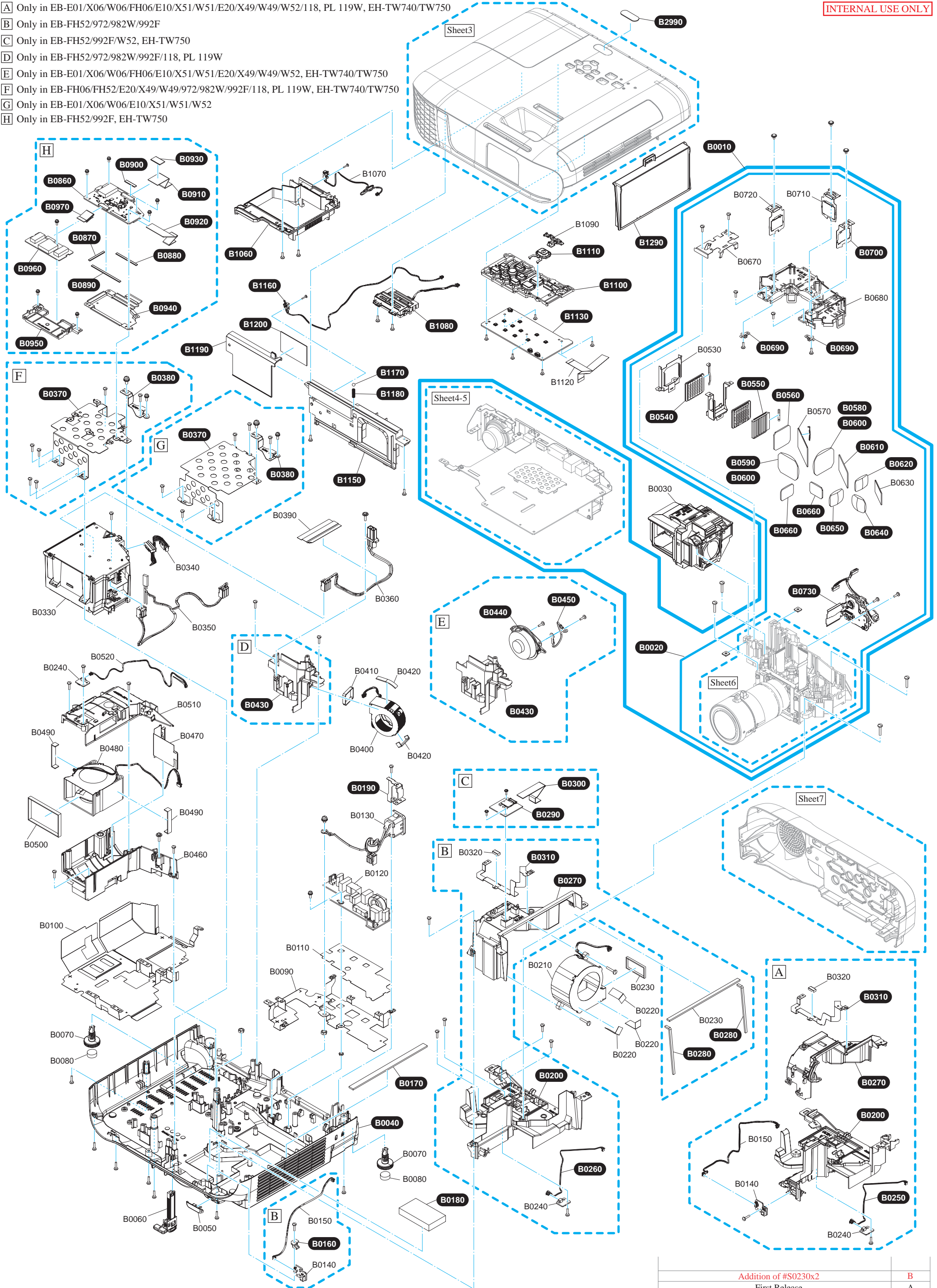


- A Only in EB-E01/X06/W06/FH06/E10/X51/W51/E20/X49/W49/W52/118, PL 119W, EH-TW740/TW750
- B Only in EB-FH52/972/982W/992F
- C Only in EB-FH52/992F/W52, EH-TW750
- D Only in EB-FH52/972/982W/992F/118, PL 119W
- E Only in EB-E01/X06/W06/FH06/E10/X51/W51/E20/X49/W49/W52, EH-TW740/TW750
- F Only in EB-FH06/FH52/E20/X49/W49/972/982W/992F/118, PL 119W, EH-TW740/TW750
- G Only in EB-E01/X06/W06/E10/X51/W51/W52
- H Only in EB-FH52/992F, EH-TW750

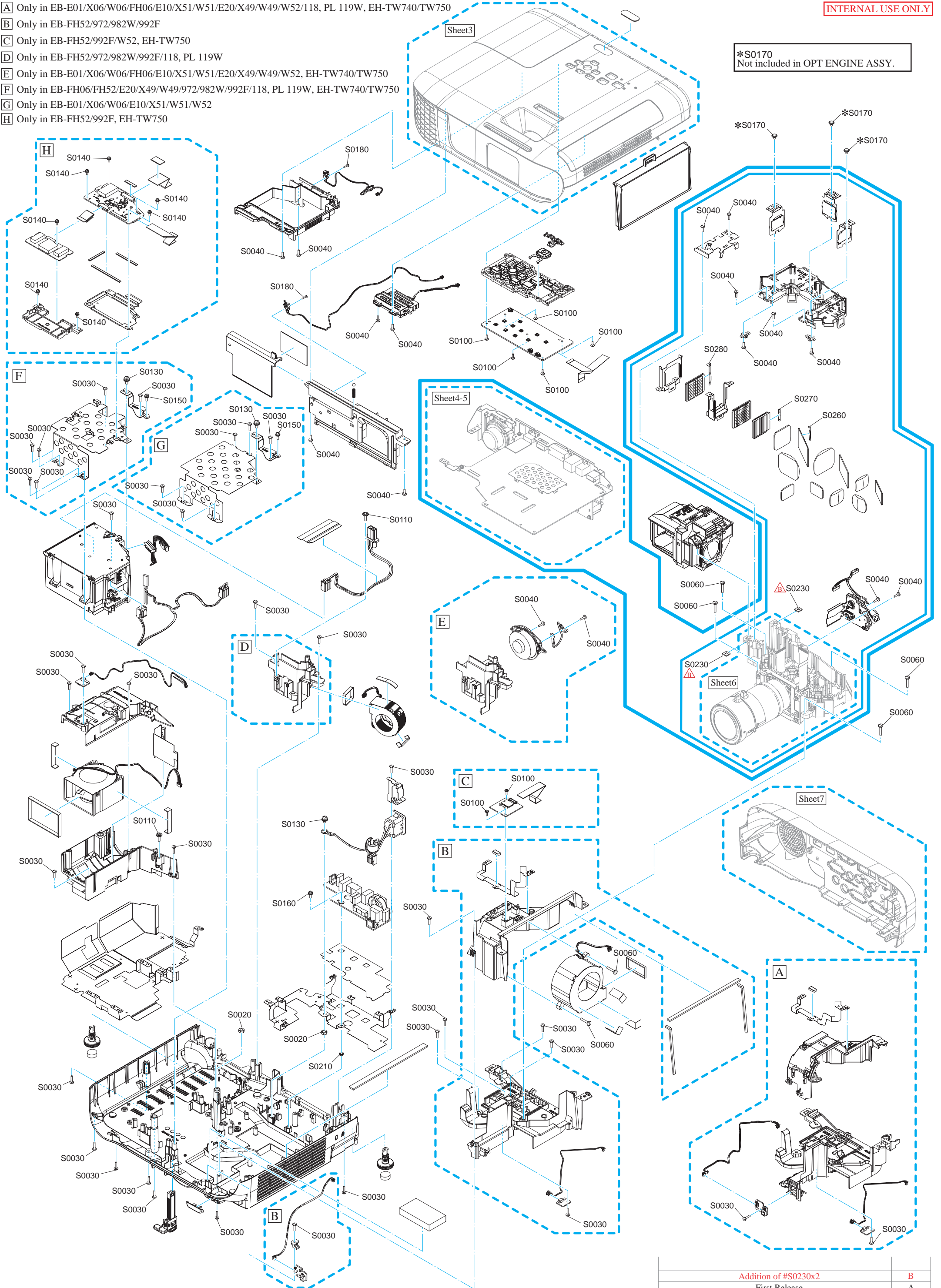


Notes:
 White/Black reversed parts code (written by white text on black circle)
 This parts are different by model and defined multiple parts code (please check SPI for actual parts code)
 By case , some model have no parts though the parts is shown on this diagram.

	Addition of #S0230x2	B
	First Release	A
	History	Rev.No.
Model Name	EB-E01/X06/W06/FH06/E10/X51/W51/FH52/E20/ X49/W49/972/982W/992F/W52/118, EH-TW740/TW750, PL 119W	

- A Only in EB-E01/X06/W06/FH06/E10/X51/W51/E20/X49/W49/W52/118, PL 119W, EH-TW740/TW750
- B Only in EB-FH52/972/982W/992F
- C Only in EB-FH52/992F/W52, EH-TW750
- D Only in EB-FH52/972/982W/992F/118, PL 119W
- E Only in EB-E01/X06/W06/FH06/E10/X51/W51/E20/X49/W49/W52, EH-TW740/TW750
- F Only in EB-FH06/FH52/E20/X49/W49/972/982W/992F/118, PL 119W, EH-TW740/TW750
- G Only in EB-E01/X06/W06/E10/X51/W51/W52
- H Only in EB-FH52/992F, EH-TW750

*S0170
Not included in OPT ENGINE ASSY.



Notes:
 White/Black reversed parts code (written by white text on black circle)
 This parts are different by model and defined multiple parts code (please check SPI for actual parts code)
 By case , some model have no parts though the parts is shown on this diagram.

	Addition of #S0230x2	B
	First Release	A
	History	Rev.No.
Model Name	EB-E01/X06/W06/FH06/E10/X51/W51/FH52/E20/ X49/W49/972/982W/992F/W52/118, EH-TW740/TW750, PL 119W	

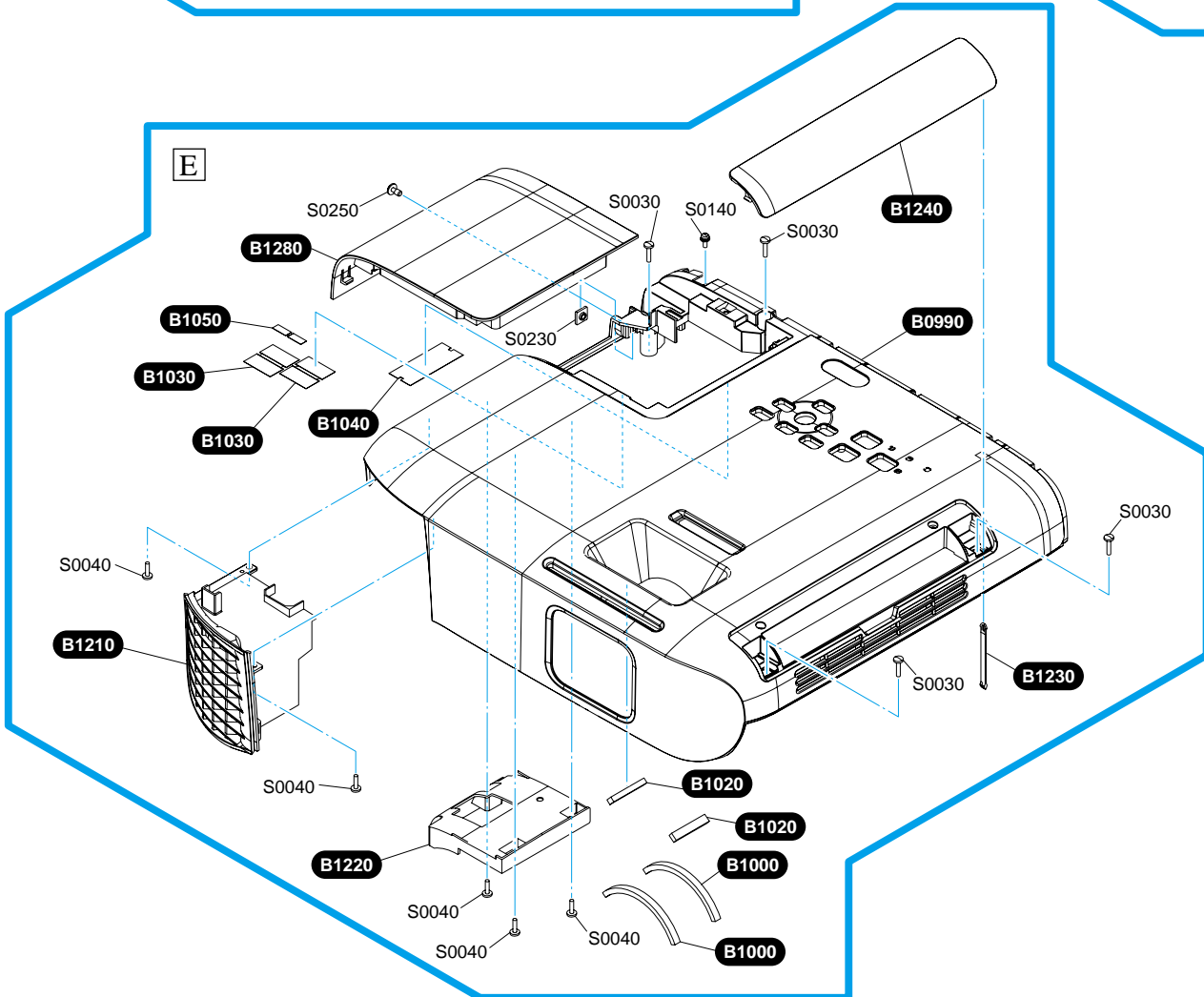
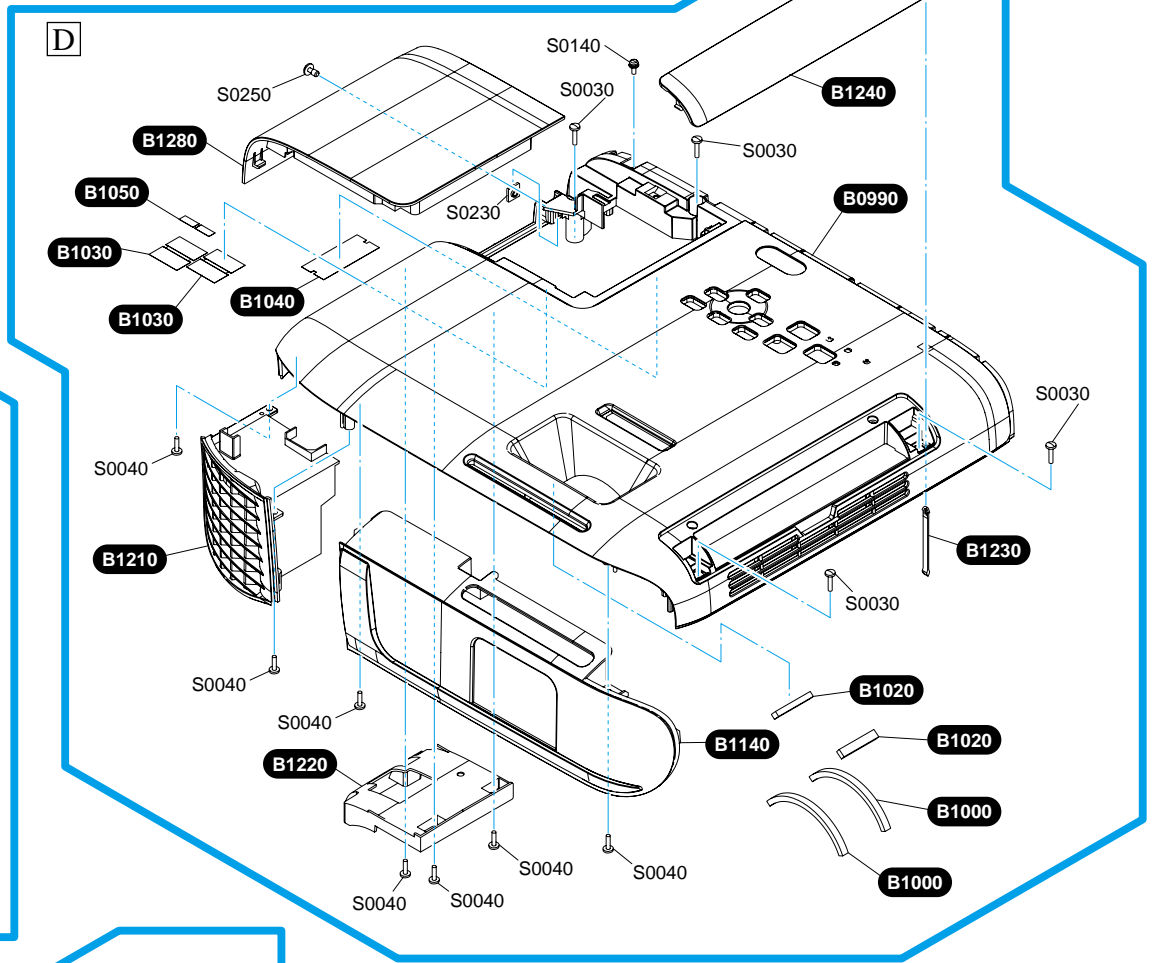
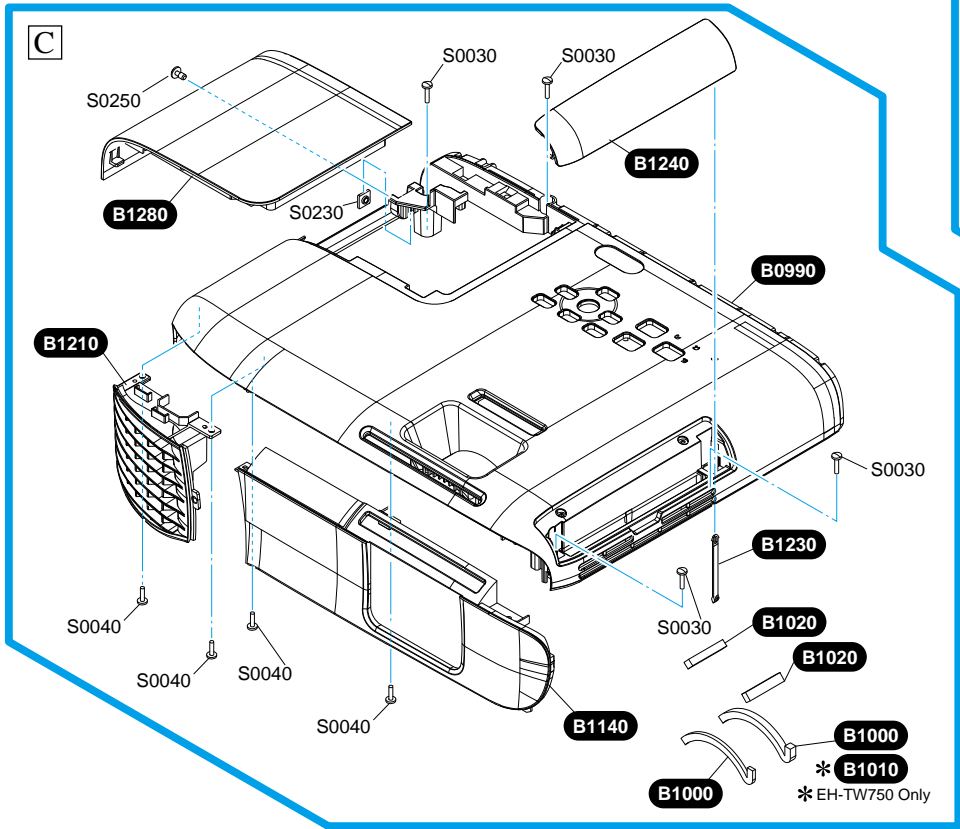
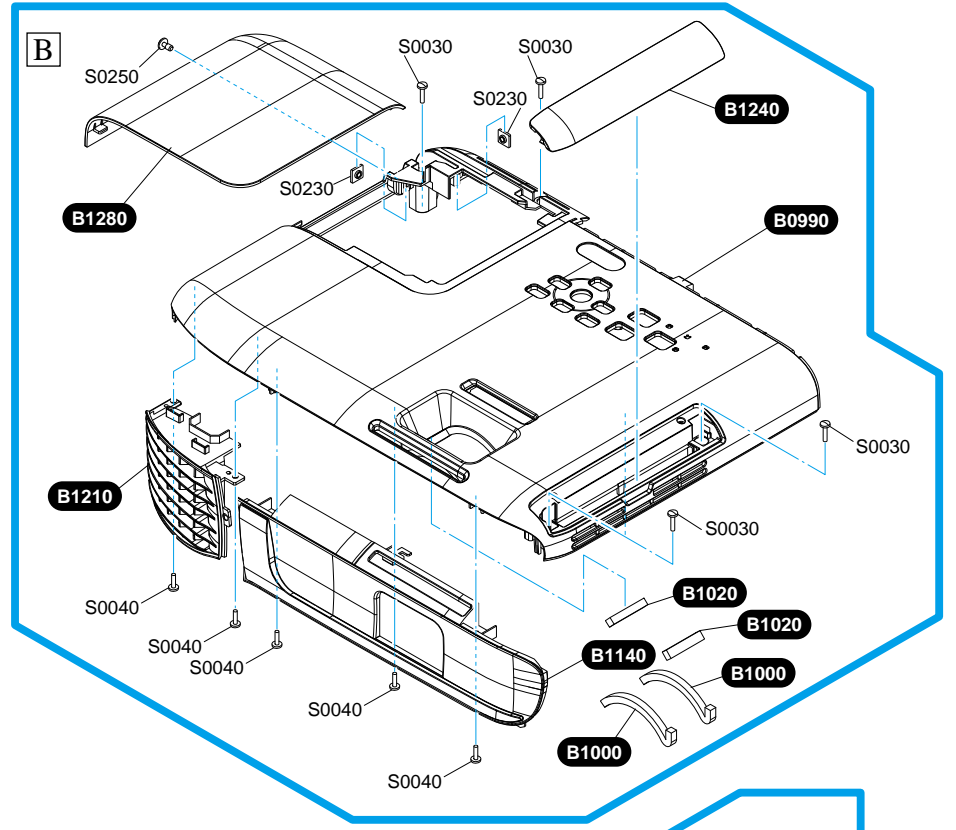
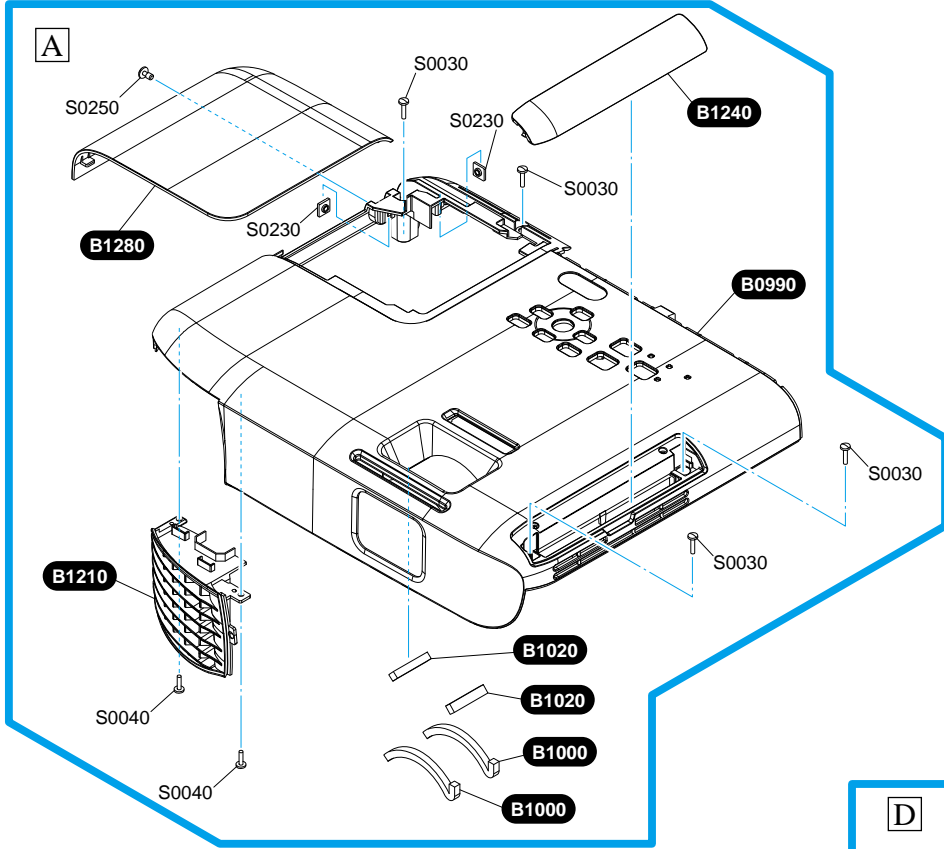
A Only in EB-E01/X06/W06/E10

B Only in EB-X51/W51

C Only in EB-FH06/E20/X49/W49/W52/118, EH-TW740/TW750, PL 119W

D Only in EB-FH52/992F

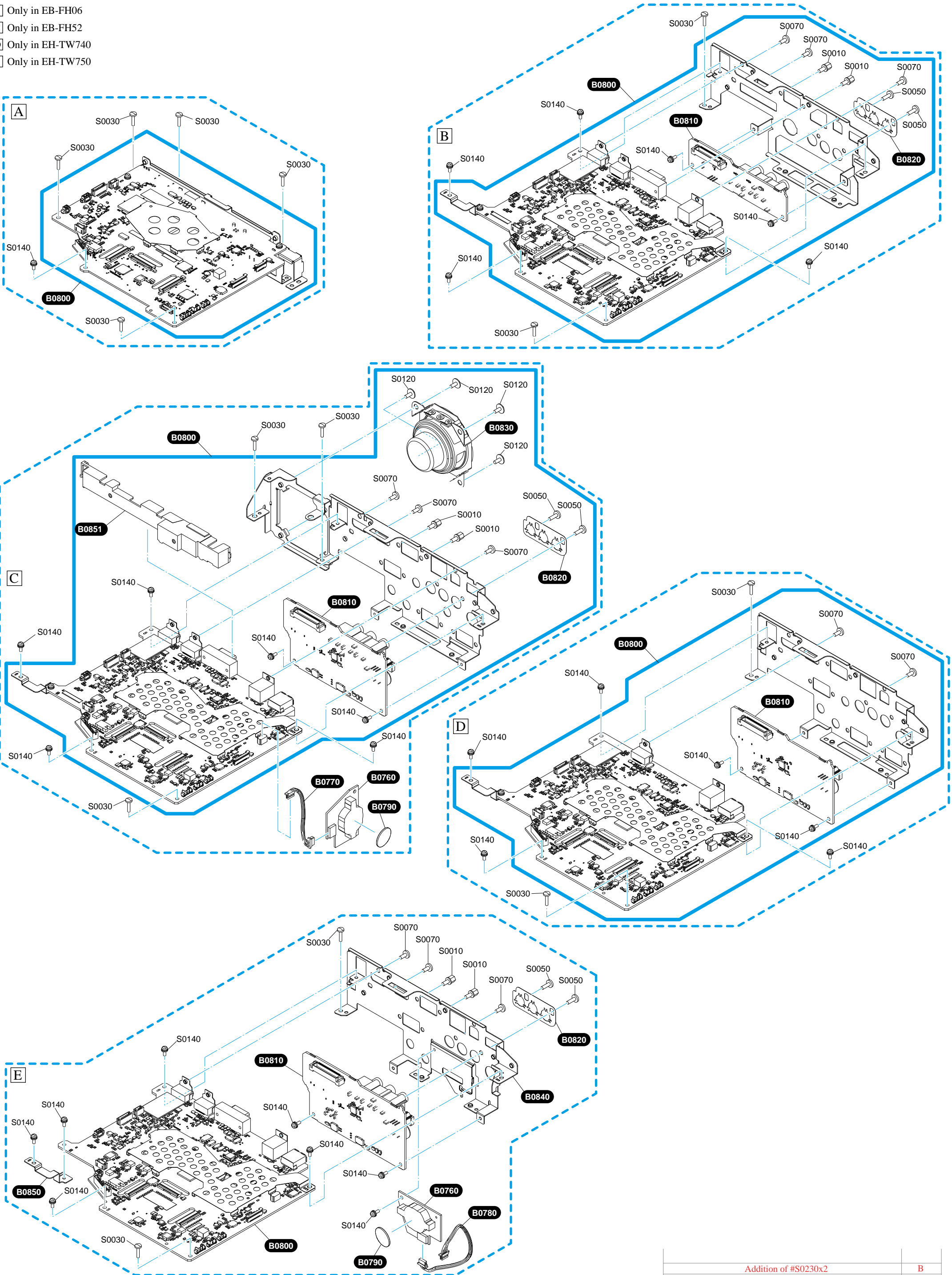
E Only in EB-972/982W



Notes:
 White/Black reversed parts code (written by white text on black circle)
 This parts are different by model and defined multiple parts code (please check SPI for actual parts code)
 By case, some model have no parts though the parts is shown on this diagram.

	Addition of #S0230x2	B
	First Release	A
	History	Rev.No.
Model Name	EB-E01/X06/W06/FH06/E10/X51/W51/FH52/E20/ X49/W49/972/982W/992F/W52/118, EH-TW740/TW750, PL 119W	

- A** Only in EB-E01/X06/W06/E10/X51/W51/W52
- B** Only in EB-FH06
- C** Only in EB-FH52
- D** Only in EH-TW740
- E** Only in EH-TW750

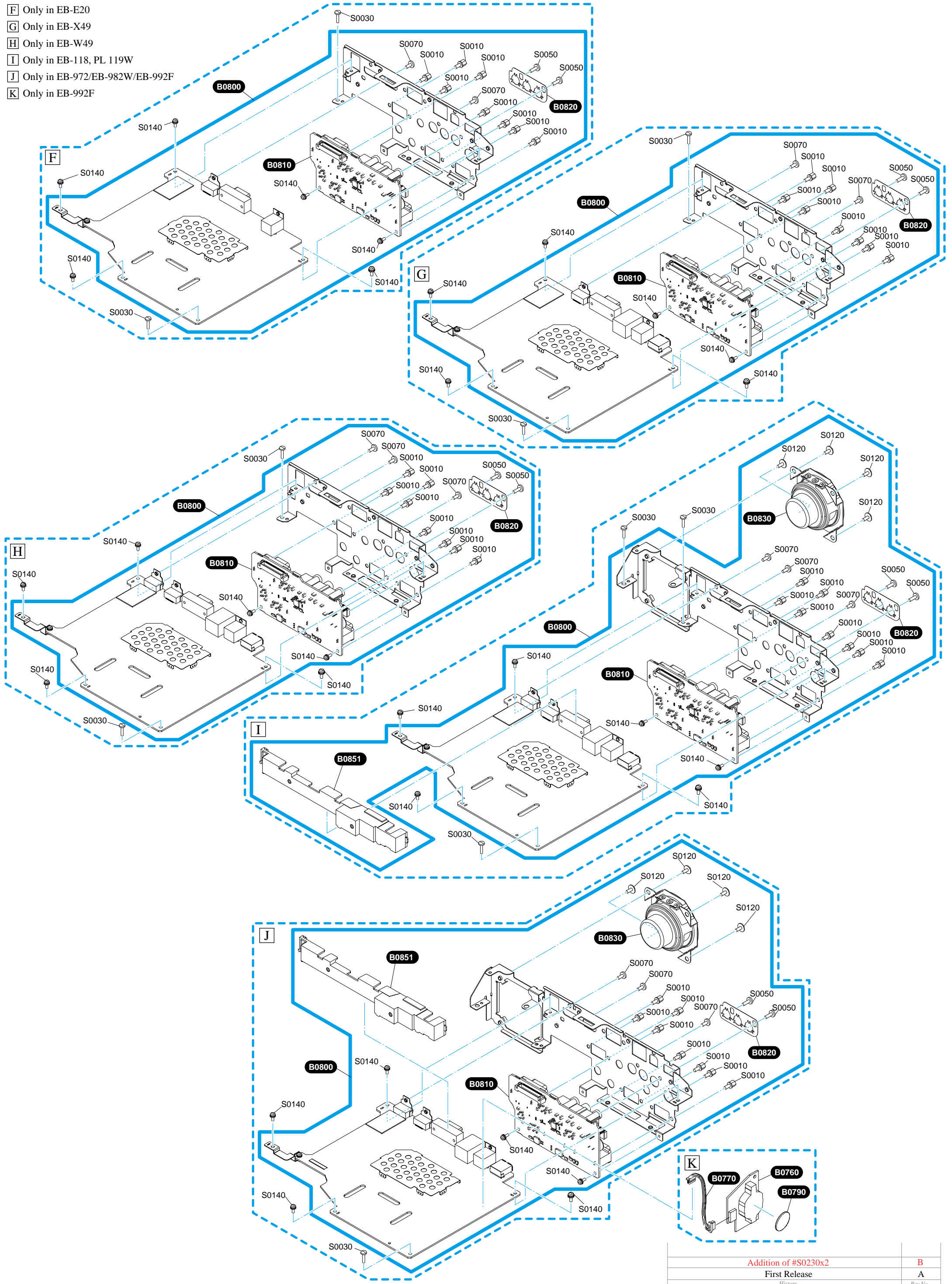


Notes:
 White/Black reversed parts code (written by white text on black circle)
 This parts are different by model and defined multiple parts code (please check SPI for actual parts code)
 By case , some model have no parts though the parts is shown on this diagram.

	Addition of #S0230x2	B
	First Release	A
	History	Rev.No.
Model Name	EB-E01/X06/W06/FH06/E10/X51/W51/FH52/E20/ X49/W49/972/982W/992F/W52/118, EH-TW740/TW750, PL 119W	

Sheet5

- F** Only in EB-E20
- G** Only in EB-X49
- H** Only in EB-W49
- I** Only in EB-118, PL 119W
- J** Only in EB-972/EB-982W/EB-992F
- K** Only in EB-992F



Notes:
 White/Black reversed parts code (written by white text on black circle)
 This parts are different by model and defined multiple parts code (please check SPI for actual parts code)
 By case , some model have no parts though the parts is shown on this diagram.

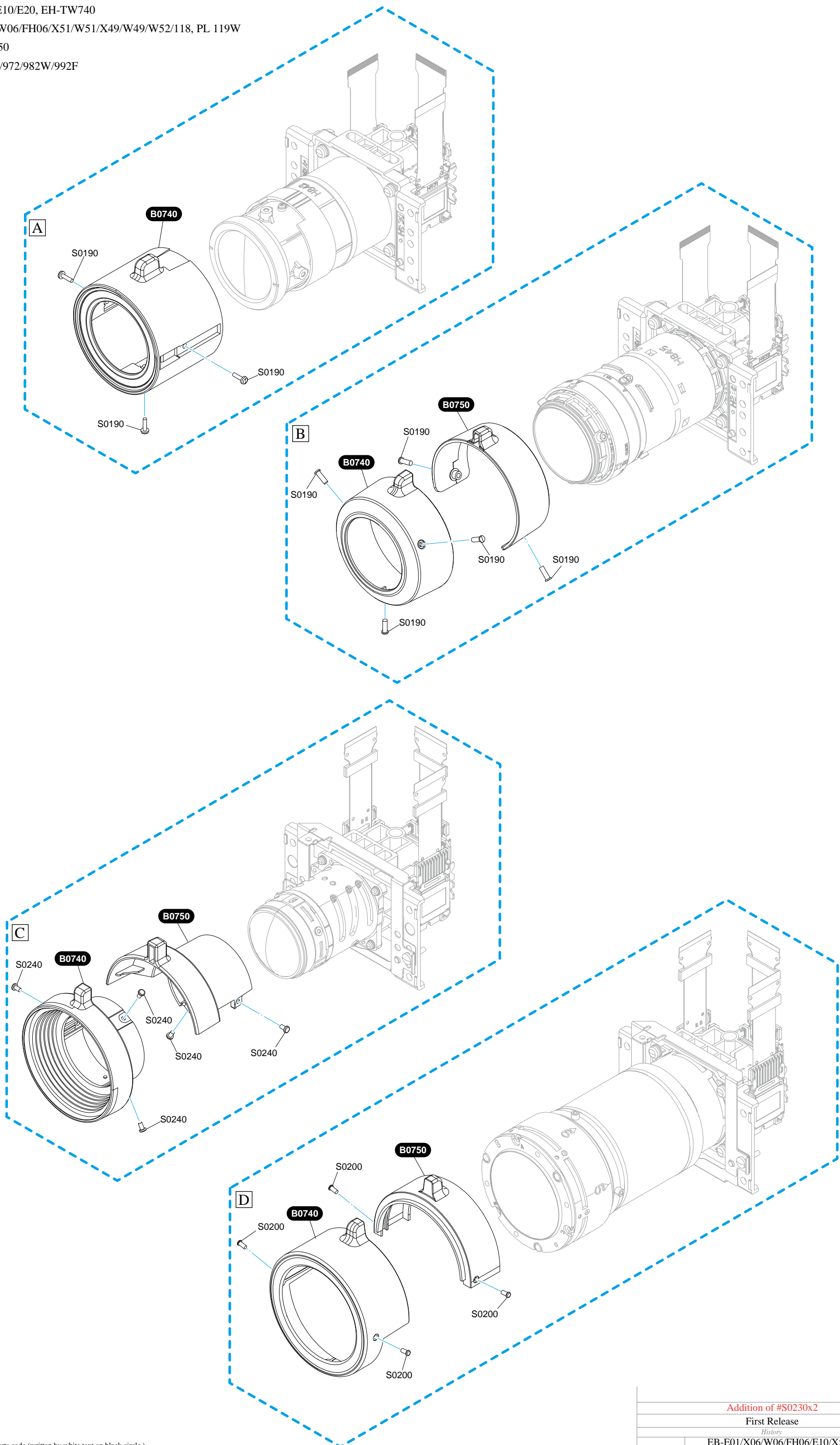
	Addition of #S0230x2	B
	First Release	A
	History	Rev.No.
Model Name	EB-E01/X06/W06/FH06/E10/X51/W51/FH52/E20/ X49/W49/972/982W/992F/W52/118, EH-TW740/TW750, PL 119W	

A Only in EB-E01/E10/E20, EH-TW740

B Only in EB-X06/W06/FH06/X51/W51/X49/W49/W52/118, PL 119W

C Only in EH-TW750

D Only in EB-FH52/972/982W/992F



Notes:
 White/Black reversed parts code (written by white text on black circle)
 This parts are different by model and defined multiple parts code (please check SPI for actual parts code)
 By case , some model have no parts though the parts is shown on this diagram.

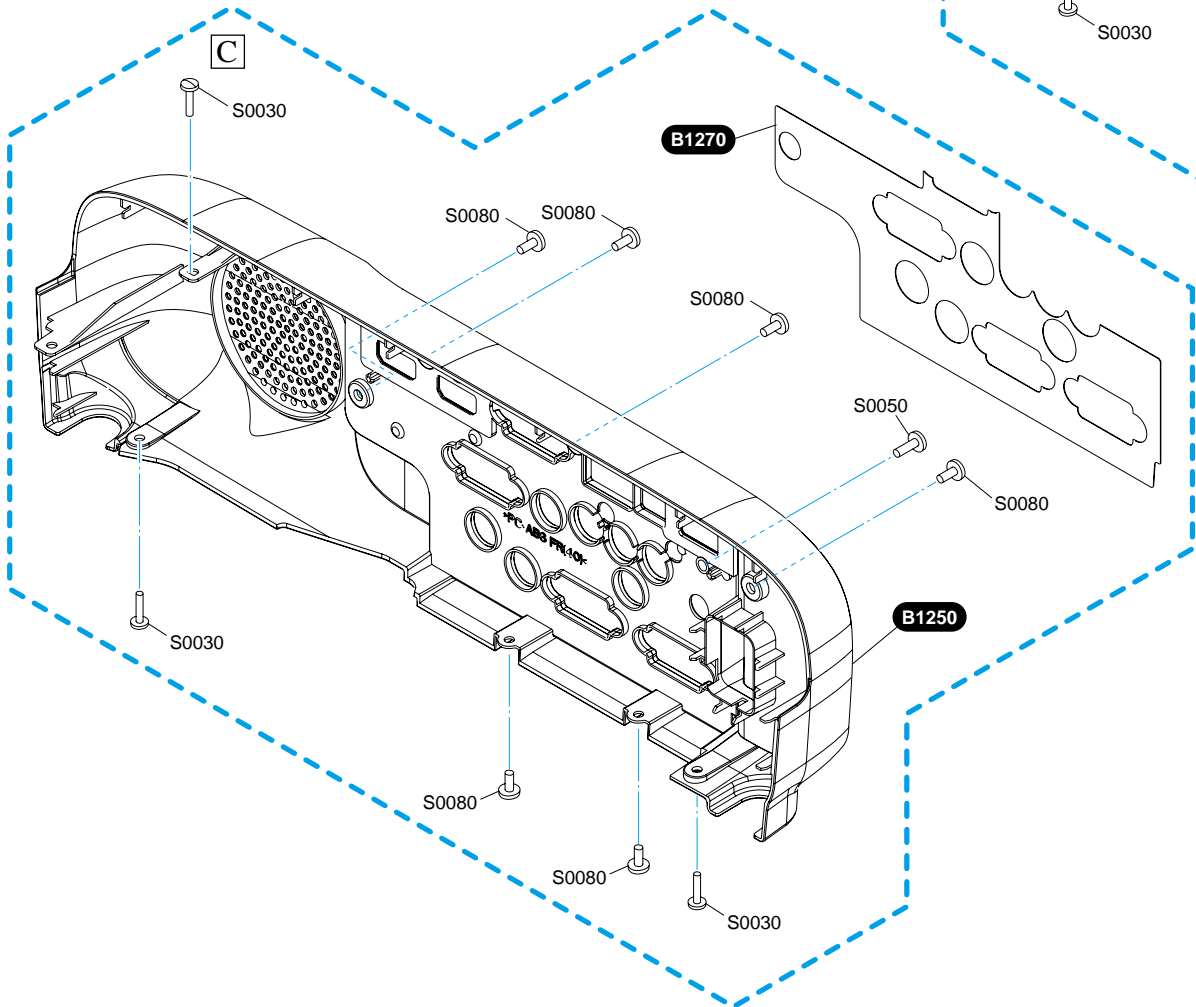
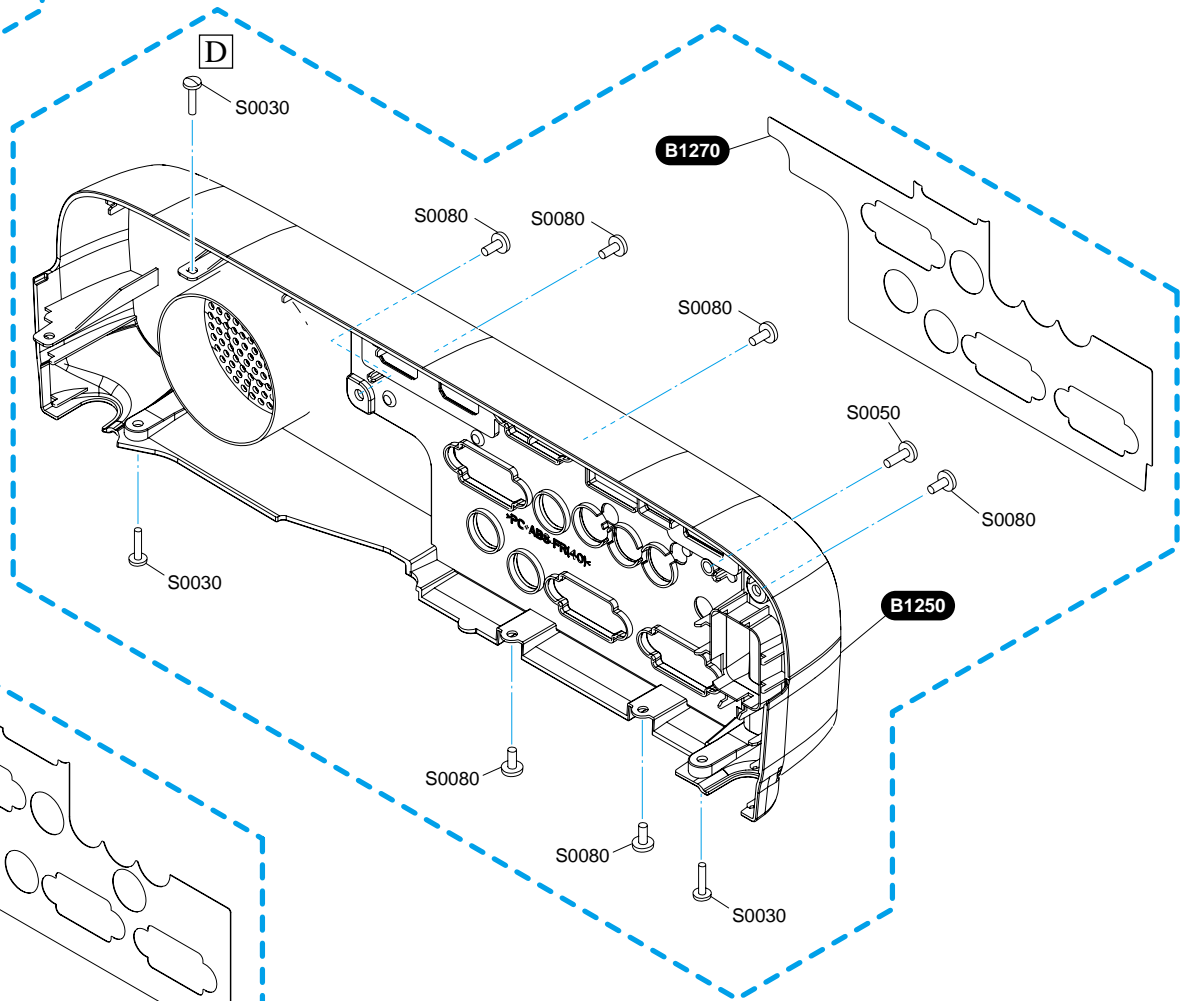
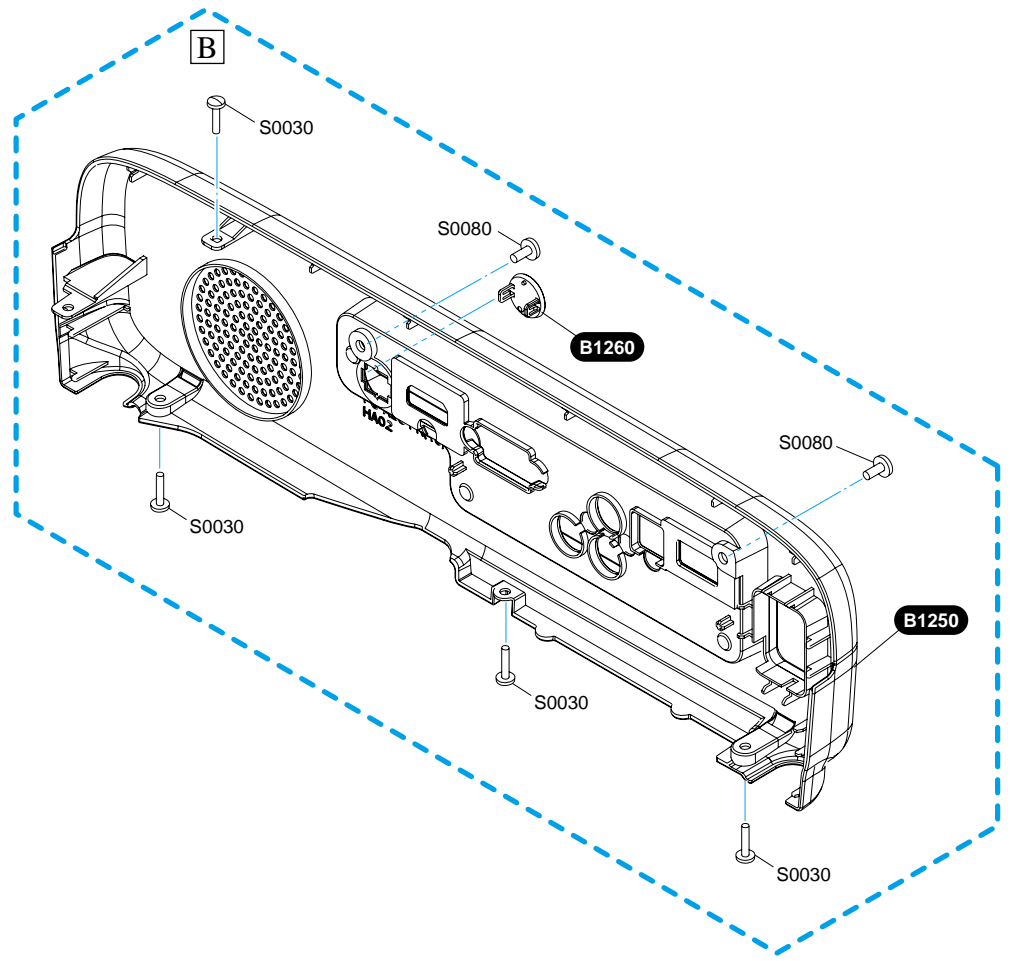
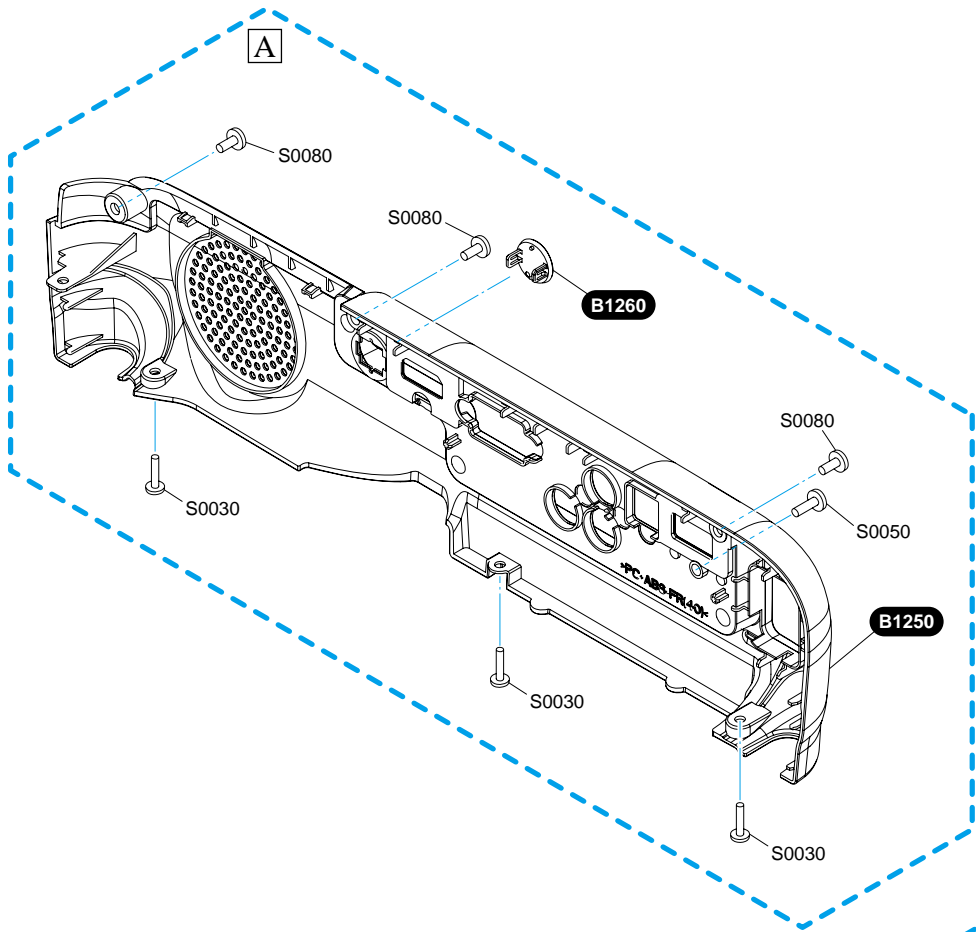
	Addition of #S0230x2	B
	First Release	A
	History	Rev.No.
Model Name	EB-E01/X06/W06/FH06/E10/X51/W51/FH52/E20/ X49/W49/972/982W/992F/W52/118, EH-TW740/TW750, PL 119W	

A Only in EB-E01/X06/W06/E10/X51/W51

B Only in EB-W52

C Only in EB-FH06/FH52/972/982W/992F/118, PL 119W

D Only in EB-E20/X49/W49, EH-TW740/TW750

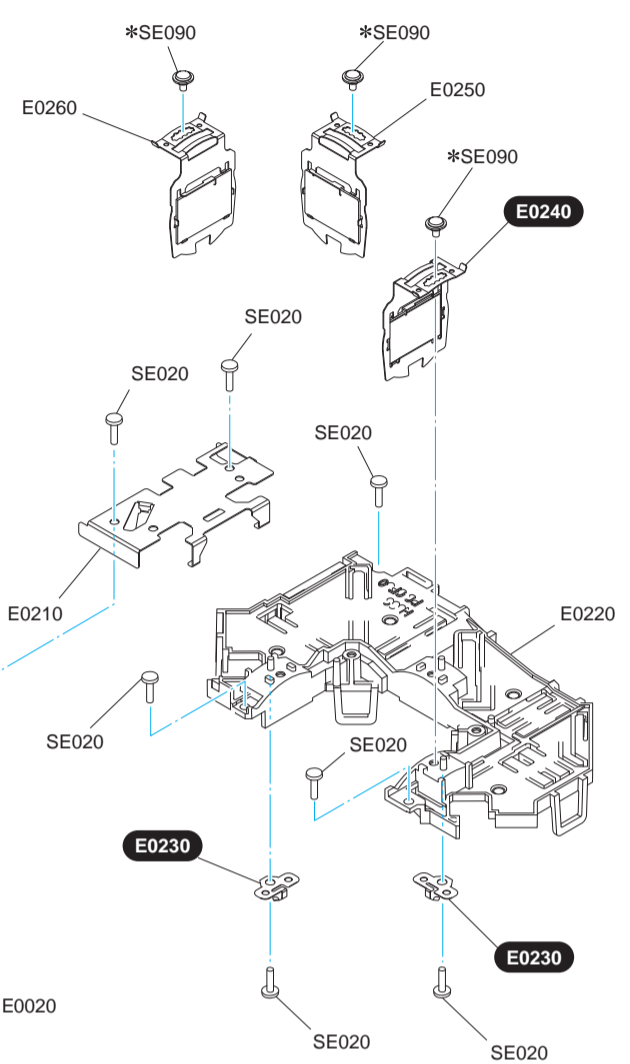
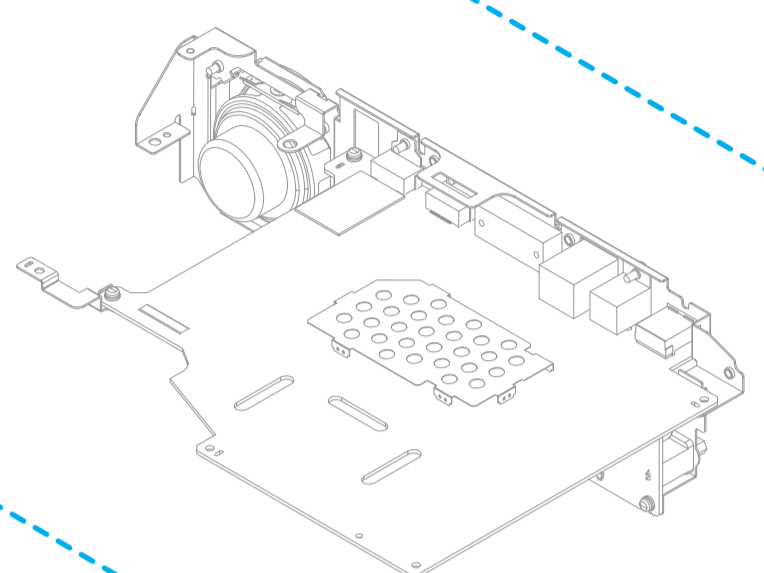


Notes:
 White/Black reversed parts code (written by white text on black circle)
 This parts are different by model and defined multiple parts code (please check SPI for actual parts code)
 By case , some model have no parts though the parts is shown on this diagram.

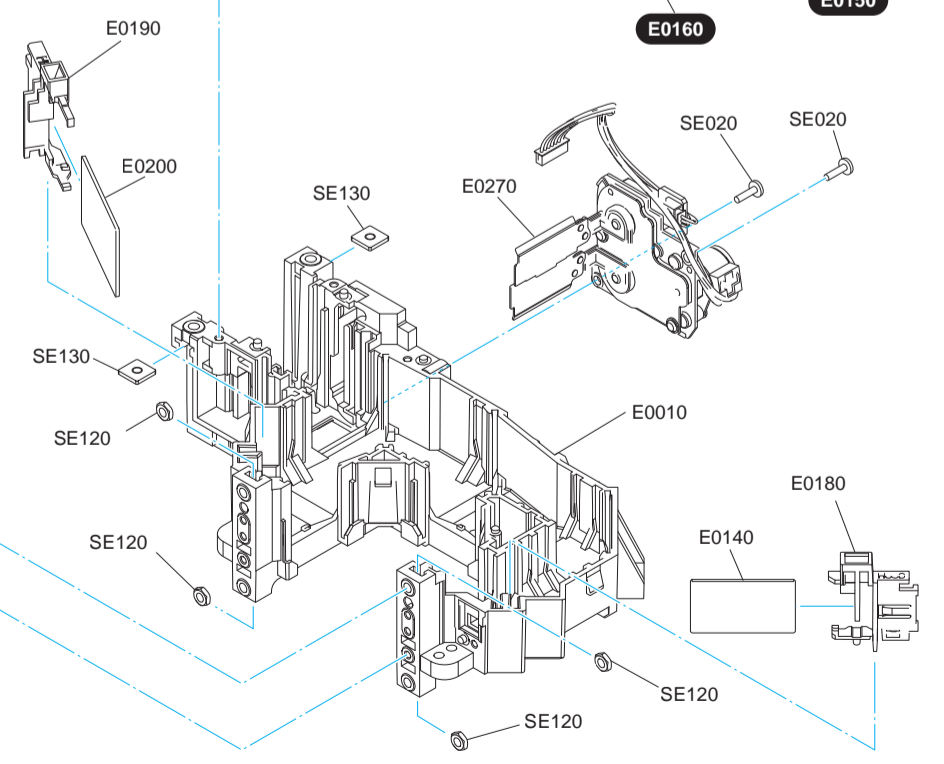
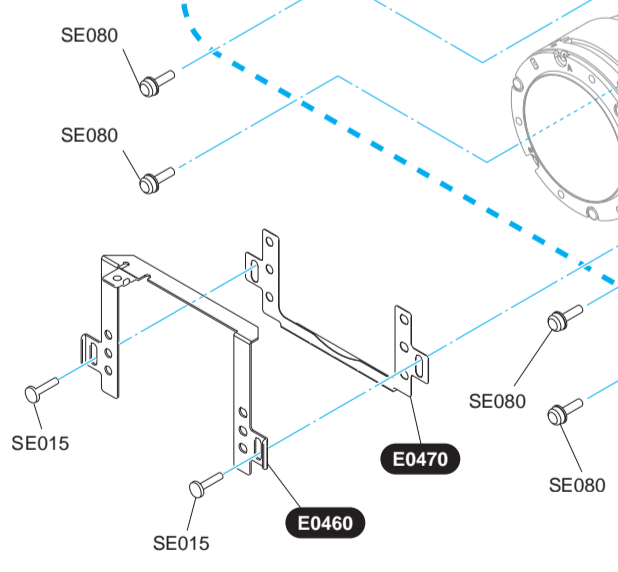
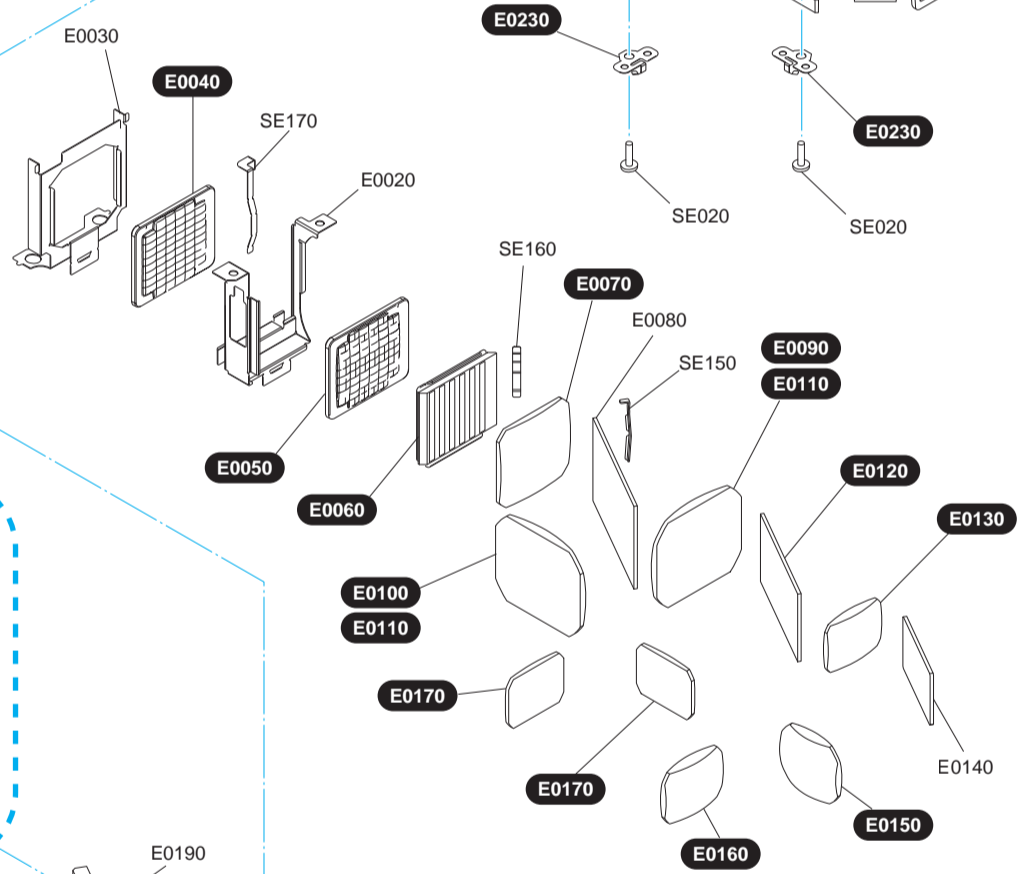
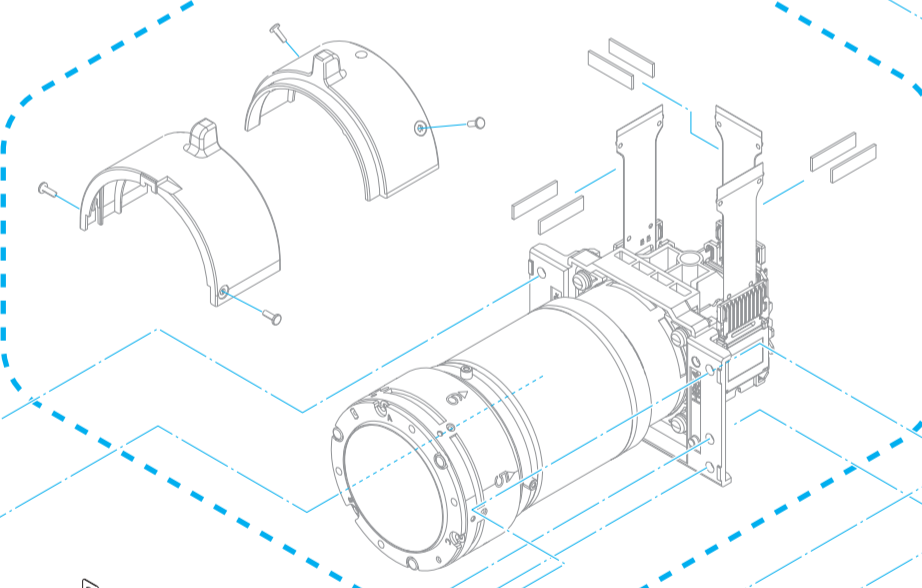
	Addition of #S0230x2	B
	First Release	A
	History	Rev.No.
Model Name	EB-E01/X06/W06/FH06/E10/X51/W51/FH52/E20/ X49/W49/972/982W/992F/W52/118, EH-TW740/TW750, PL 119W	

*SE090
Not included in OPT ENGINE ASSY.

Sheet3-4



Sheet2



Notes:
White/Black reversed parts code (written by white text on black circle)
This parts are different by model and defined multiple parts code (please check SPI for actual parts code)
By case, some model have no parts though the parts is shown on this diagram.

	First Release	A
	History	Rev.No.
Model Name	EB-E01/X06/W06/FH06/E10/X51/W51/FH52/E20/ X49/W49/972/982W/992F/W52/118, EH-TW740/TW750, PL 119W	

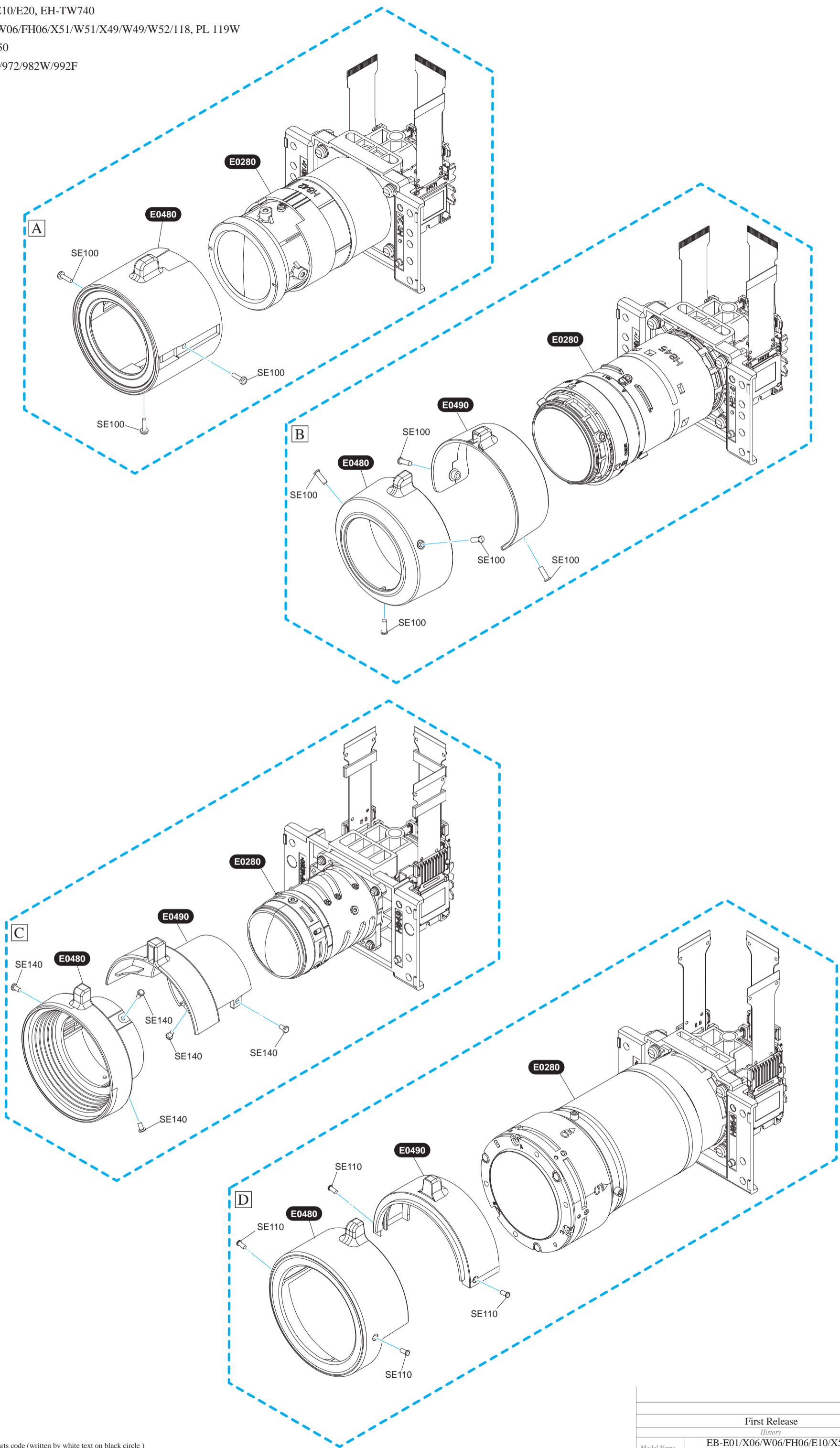
Sheet2

A Only in EB-E01/E10/E20, EH-TW740

B Only in EB-X06/W06/FH06/X51/W51/X49/W49/W52/118, PL 119W

C Only in EH-TW750

D Only in EB-FH52/972/982W/992F



Notes:
 White/Black reversed parts code (written by white text on black circle)
 This parts are different by model and defined multiple parts code (please check SPI for actual parts code)
 By case , some model have no parts though the parts is shown on this diagram.

	First Release	A
	History	Rev.No.
Model Name	EB-E01/X06/W06/FH06/E10/X51/W51/FH52/E20/ X49/W49/972/982W/992F/W52/118, EH-TW740/TW750, PL 119W	

Sheet3

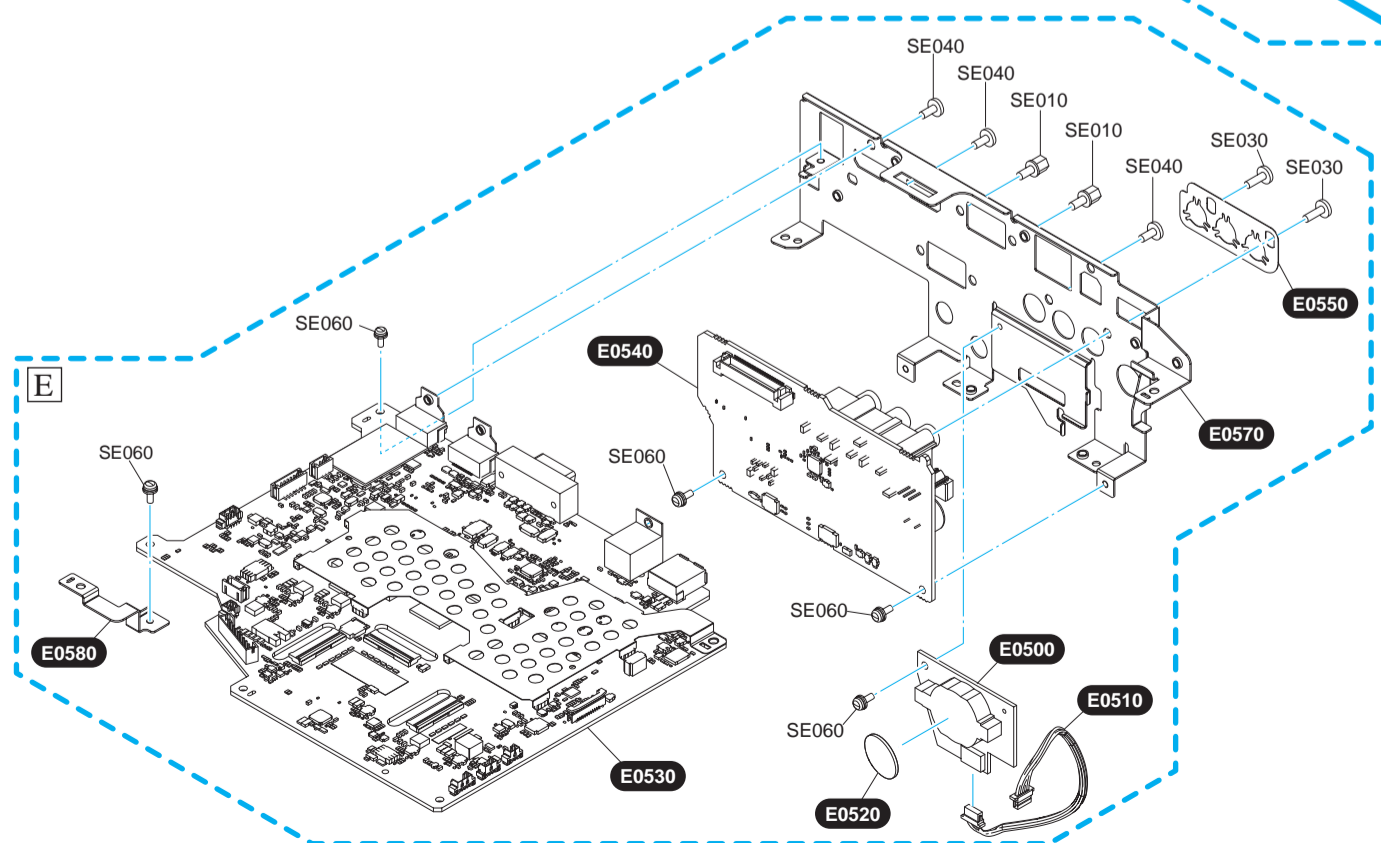
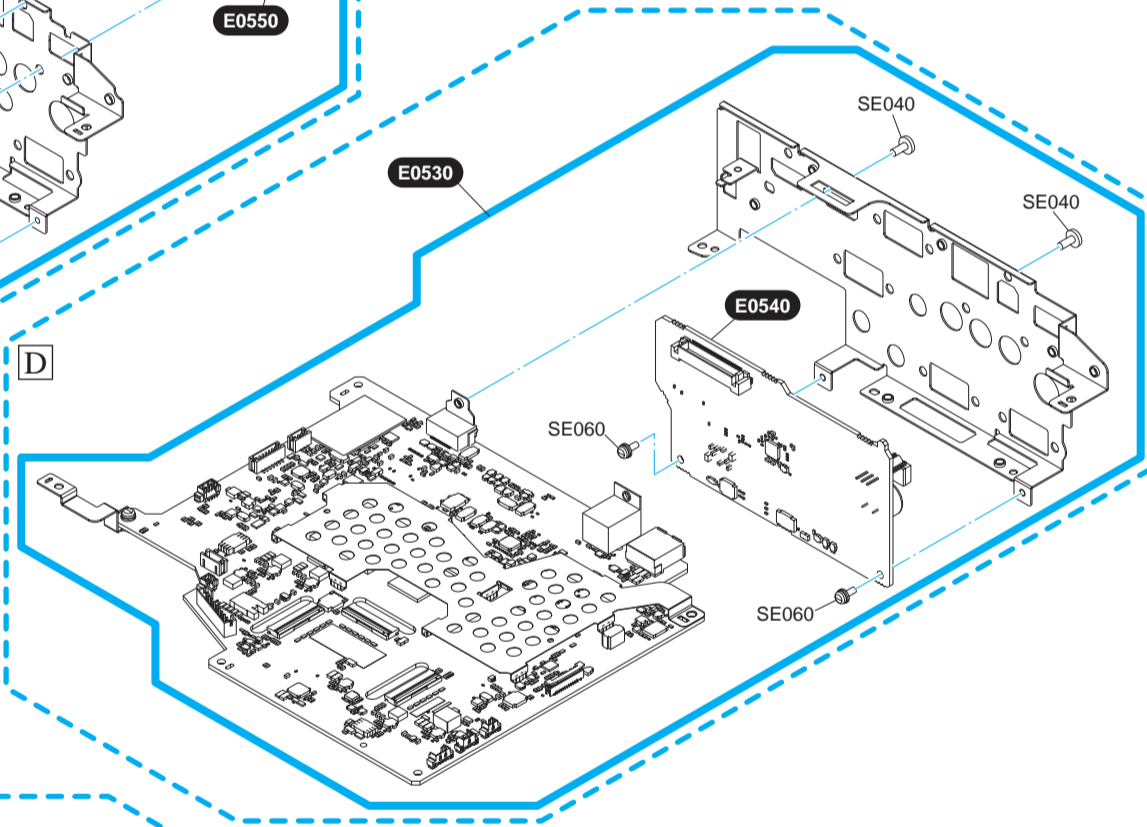
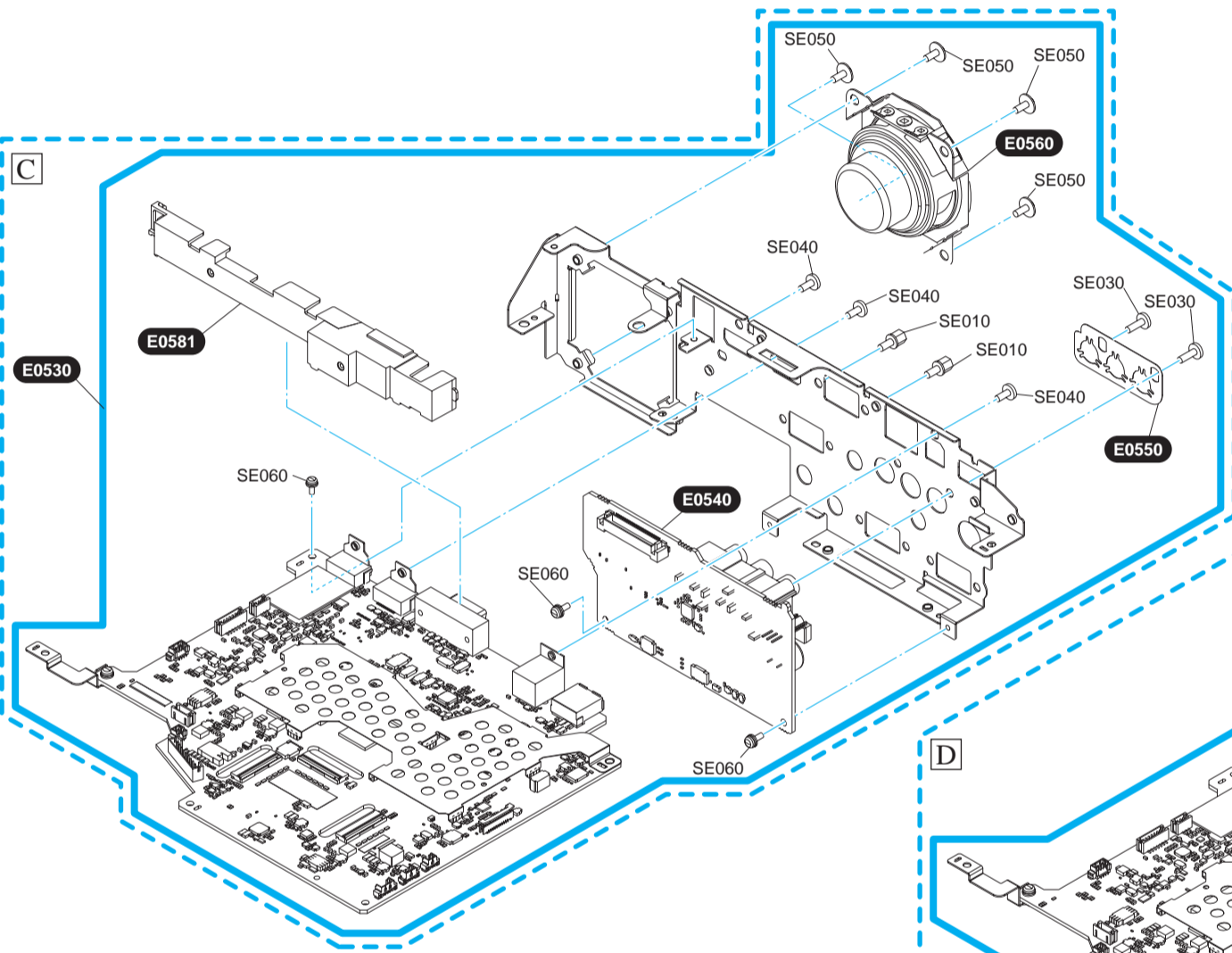
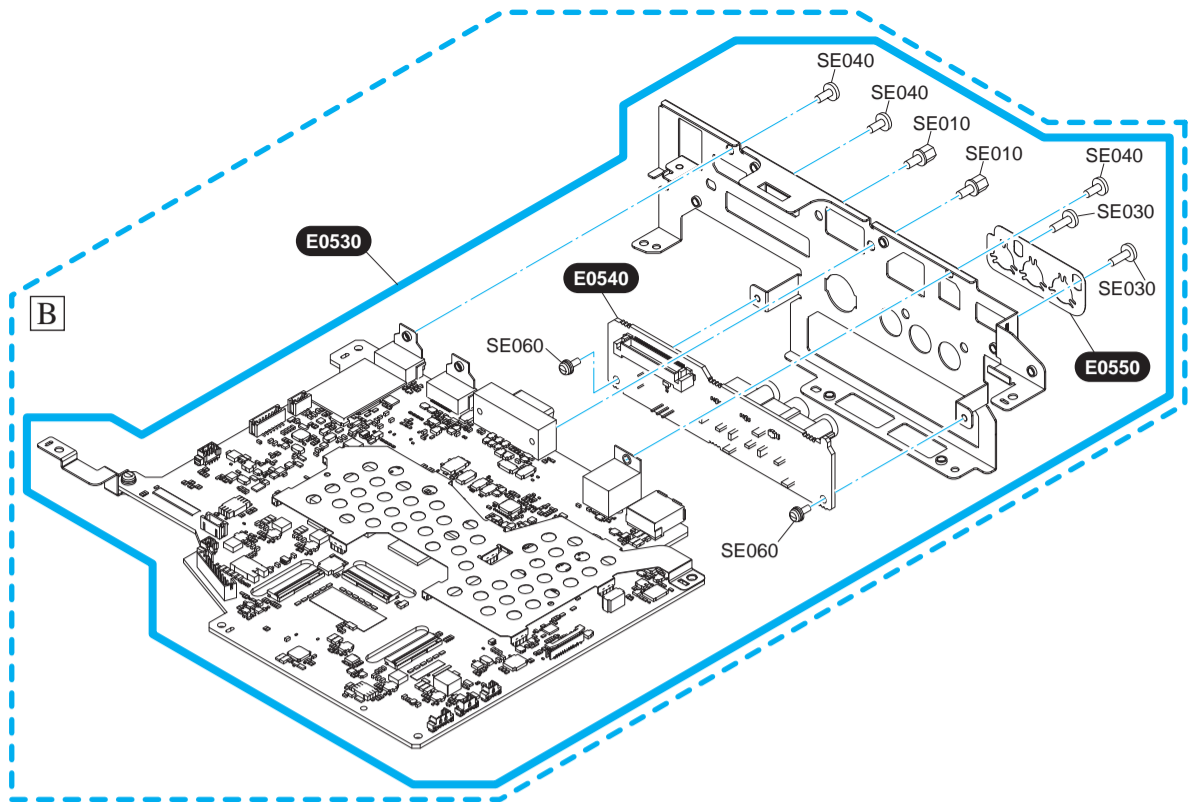
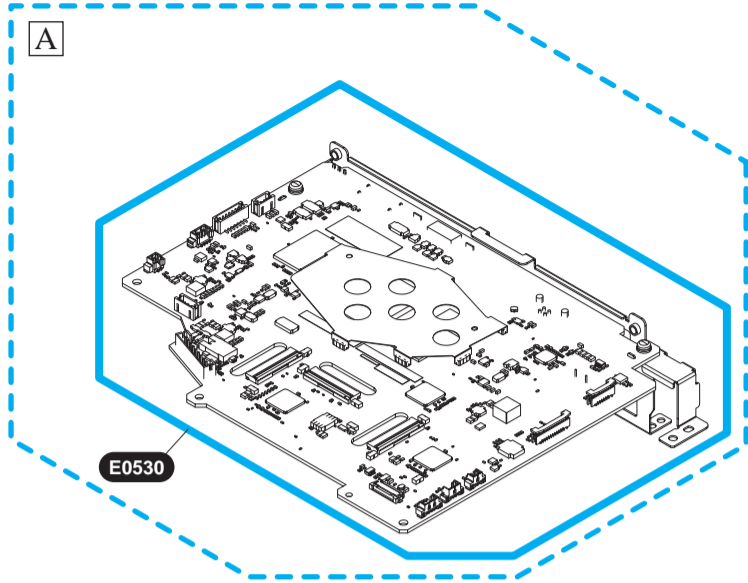
A Only in EB-E01/X06/W06/E10/X51/W51/W52

B Only in EB-FH06

C Only in EB-FH52

D Only in EH-TW740

E Only in EH-TW750



Notes:
 White/Black reversed parts code (written by white text on black circle)
 This parts are different by model and defined multiple parts code (please check SPI for actual parts code)
 By case , some model have no parts though the parts is shown on this diagram.

	First Release	A
	History	Rev.No.
Model Name	EB-E01/X06/W06/FH06/E10/X51/W51/FH52/E20/ X49/W49/972/982W/992F/W52/118, EH-TW740/TW750, PL 119W	

Sheet4

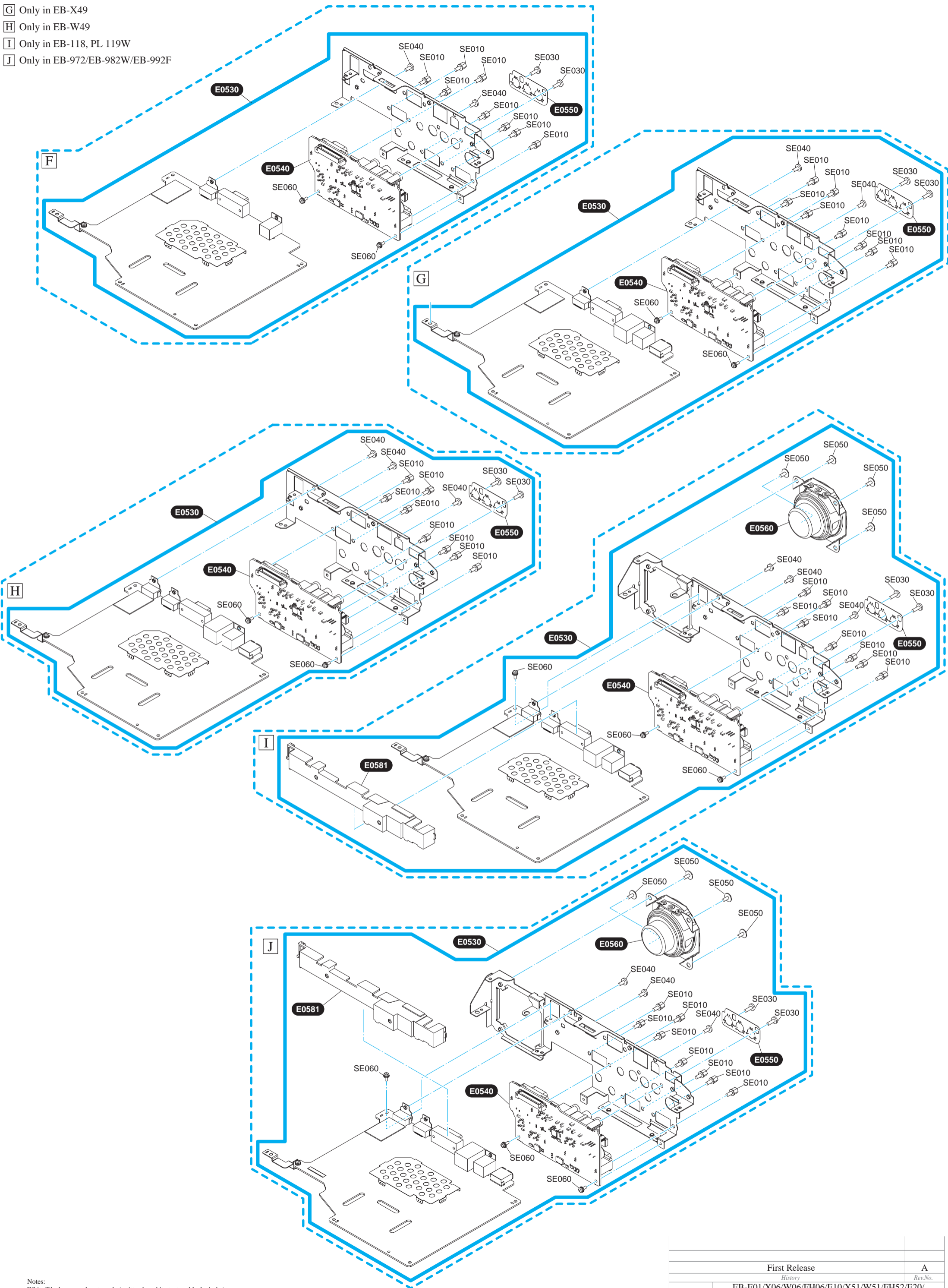
F Only in EB-E20

G Only in EB-X49

H Only in EB-W49

I Only in EB-118, PL 119W

J Only in EB-972/EB-982W/EB-992F



Notes:
 White/Black reversed parts code (written by white text on black circle)
 This parts are different by model and defined multiple parts code (please check SPI for actual parts code)
 By case , some model have no parts though the parts is shown on this diagram.

	First Release	A
	History	Rev.No.
Model Name	EB-E01/X06/W06/FH06/E10/X51/W51/FH52/E20/ X49/W49/972/982W/992F/W52/118, EH-TW740/TW750, PL 119W	