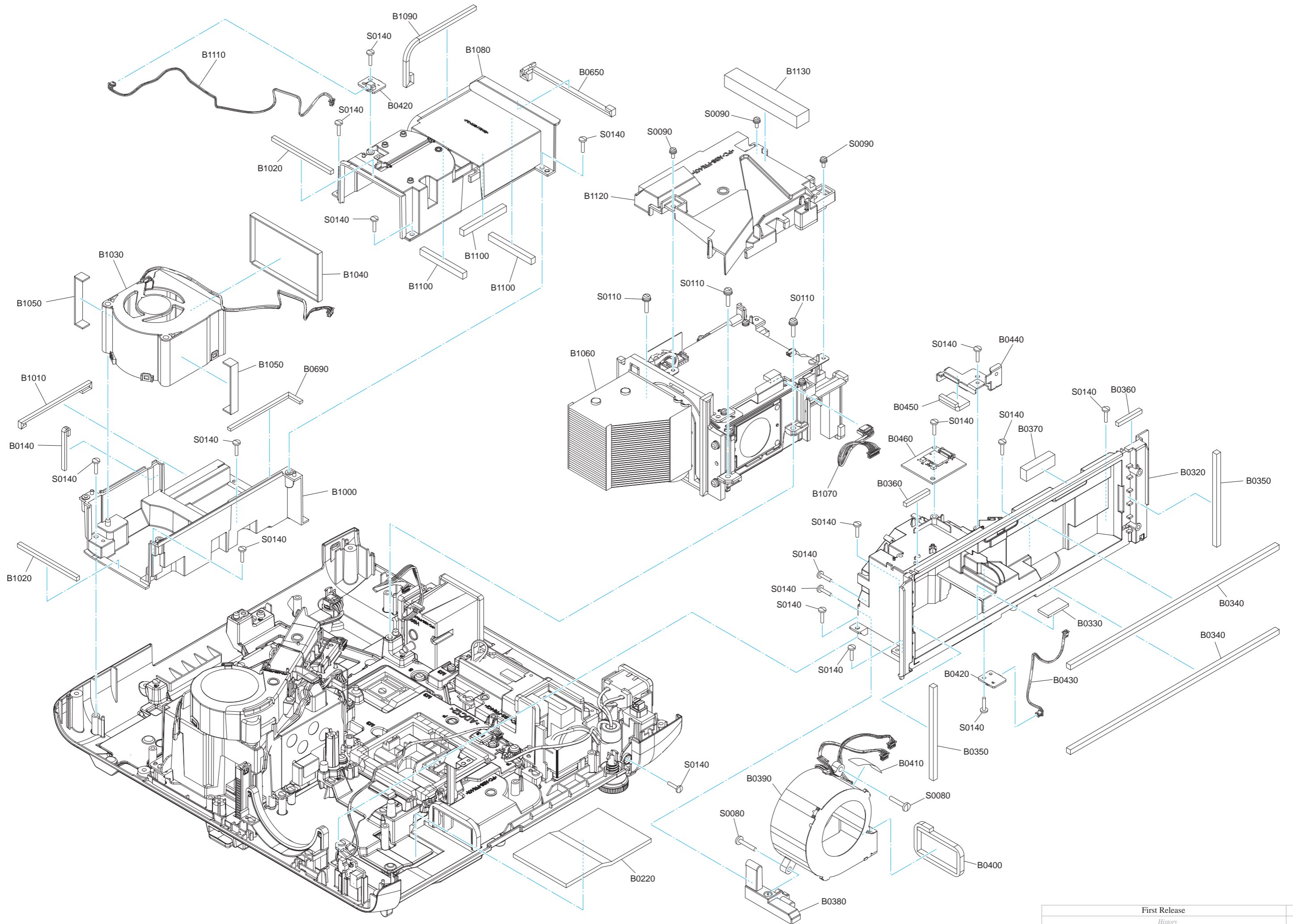


Notes:  
 White/Black reversed parts code (written by white text on black circle )  
 This parts are different by model and defined multiple parts code (please check SPI for actual parts code)  
 By case , some model have no parts though the parts is shown on this diagram.

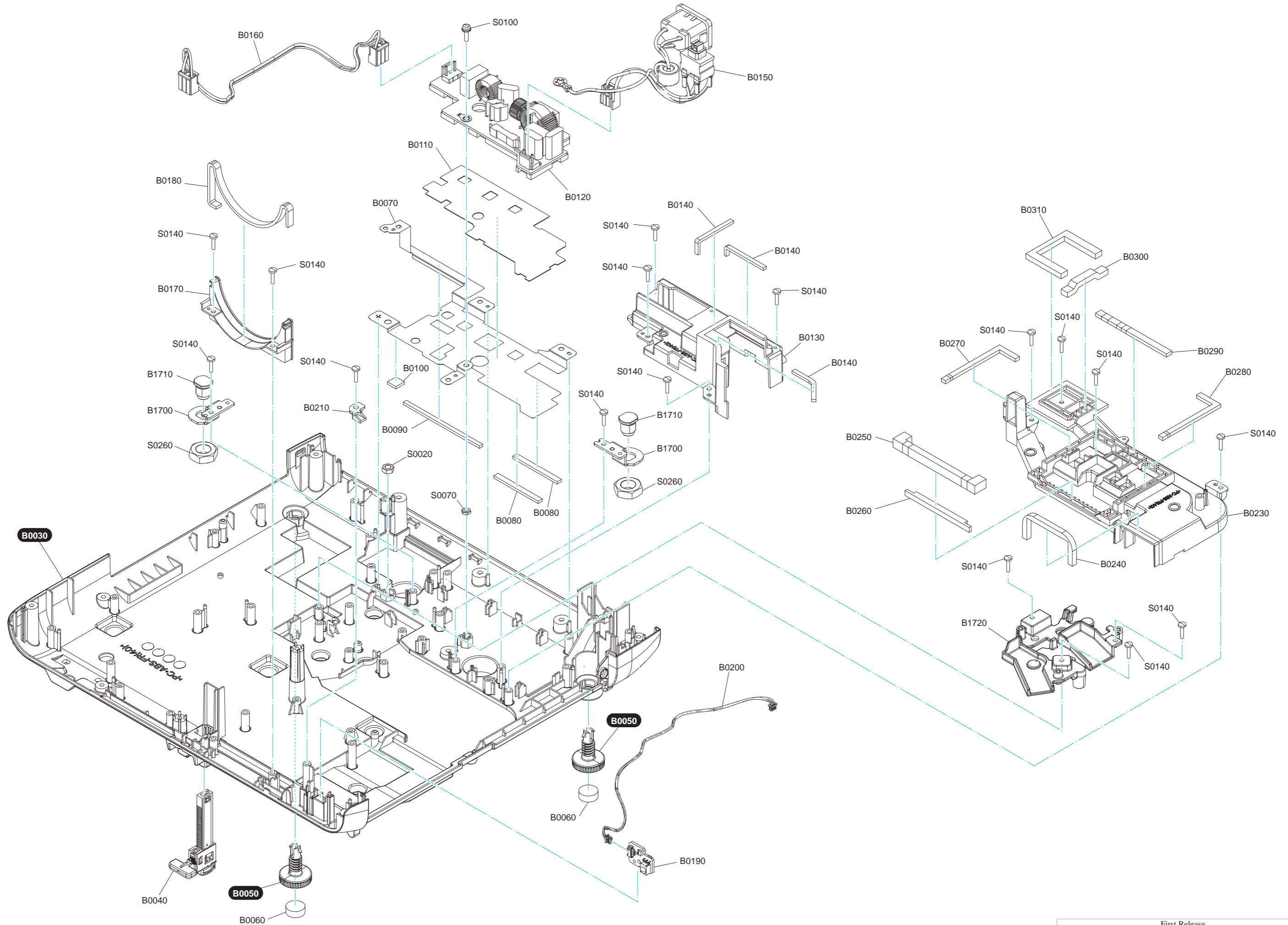
	First Release	A
	History	Rev.No.
Model Name	EB-L260F/L210W/L265F	



Notes:  
 White/Black reversed parts code (written by white text on black circle )  
 This parts are different by model and defined multiple parts code (please check SPI for actual parts code)  
 By case , some model have no parts though the parts is shown on this diagram.

	First Release	A
	History	Rev.No.
Model Name	EB-L260F/L210W/L265F	





Notes:  
 White/Black reversed parts code (written by white text on black circle )  
 This parts are different by model and defined multiple parts code (please check SPI for actual parts code)  
 By case , some model have no parts though the parts is shown on this diagram.

	First Release	A
	History	Rev.No.
Model Name	EB-L260F/L210W/L265F	