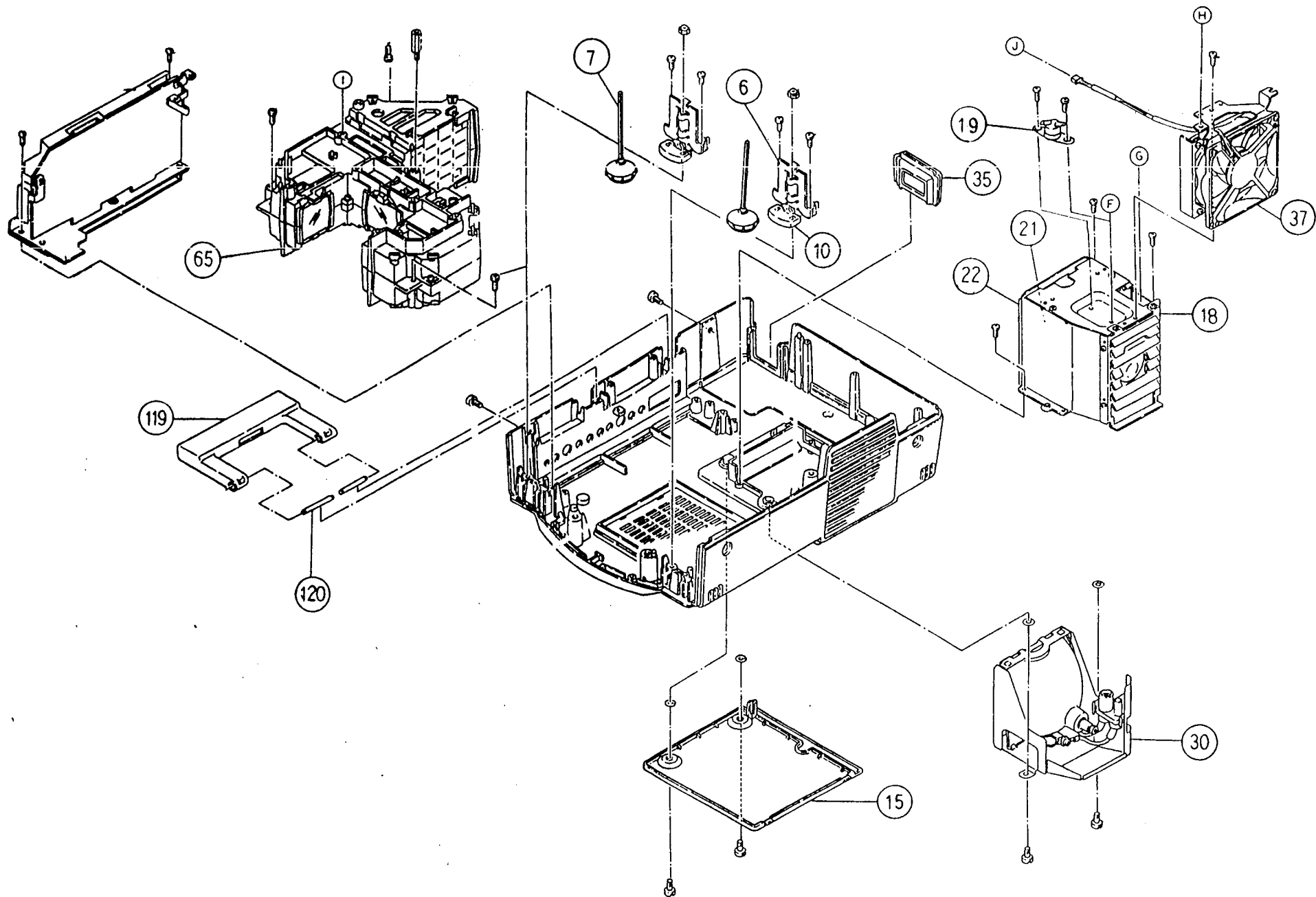
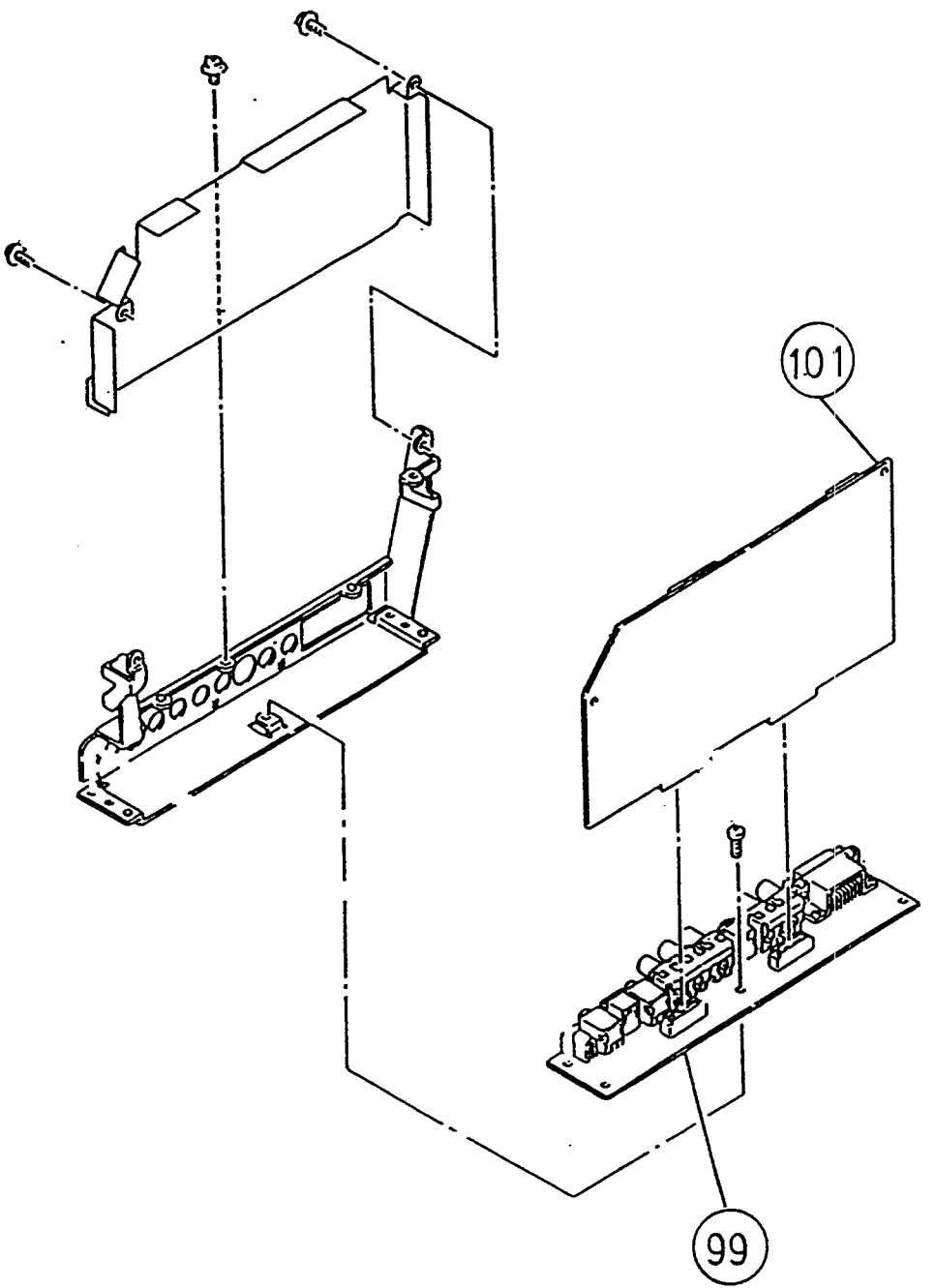


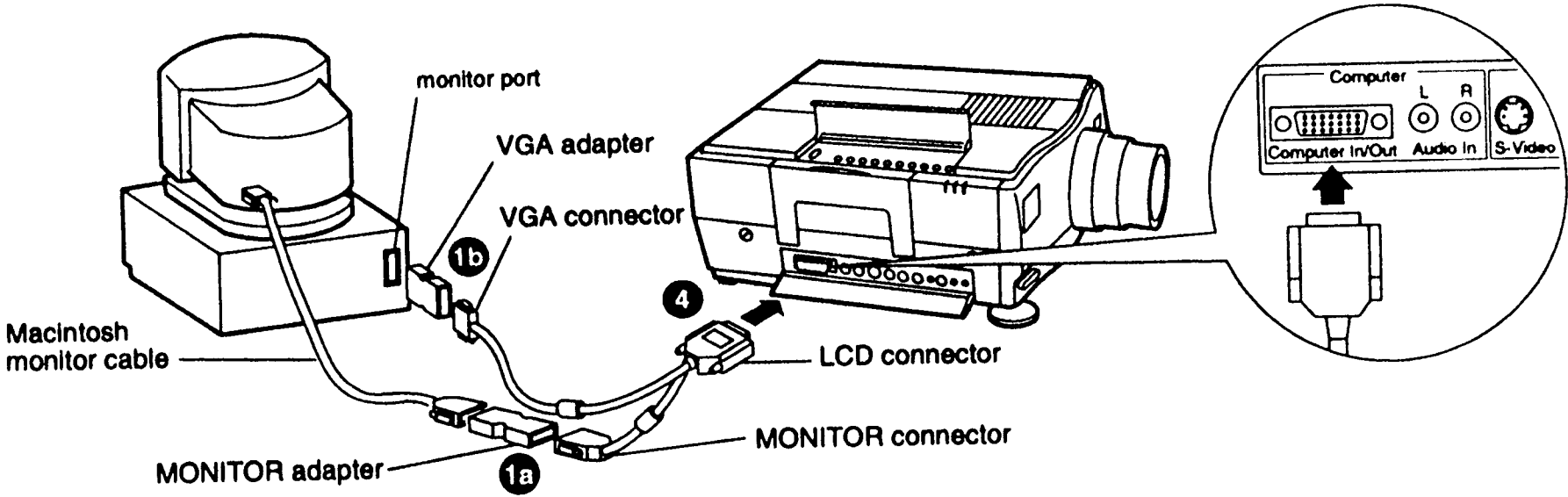
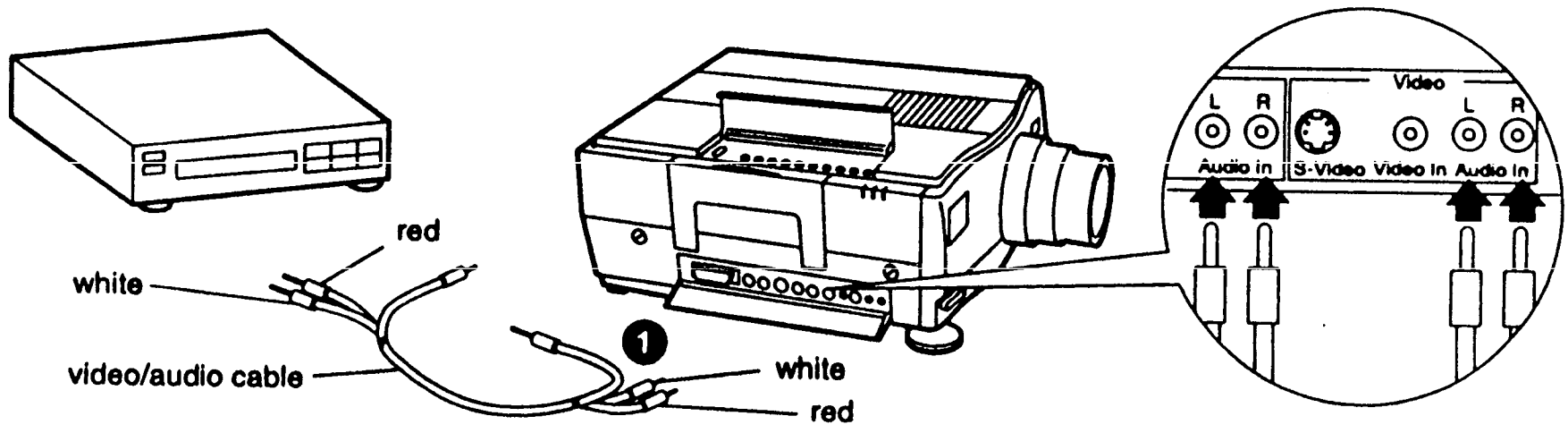
**ELP3/3300
COMPONENTS (1)**



**ELP3/3300
COMPONENTS (2)**

**ELP3/3300
INTERFACE & UIDE
BOARDS (3)**





**ELP3/3300
CABLES (4)**