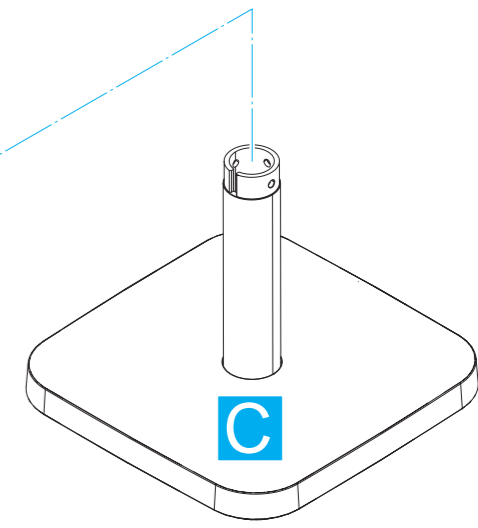
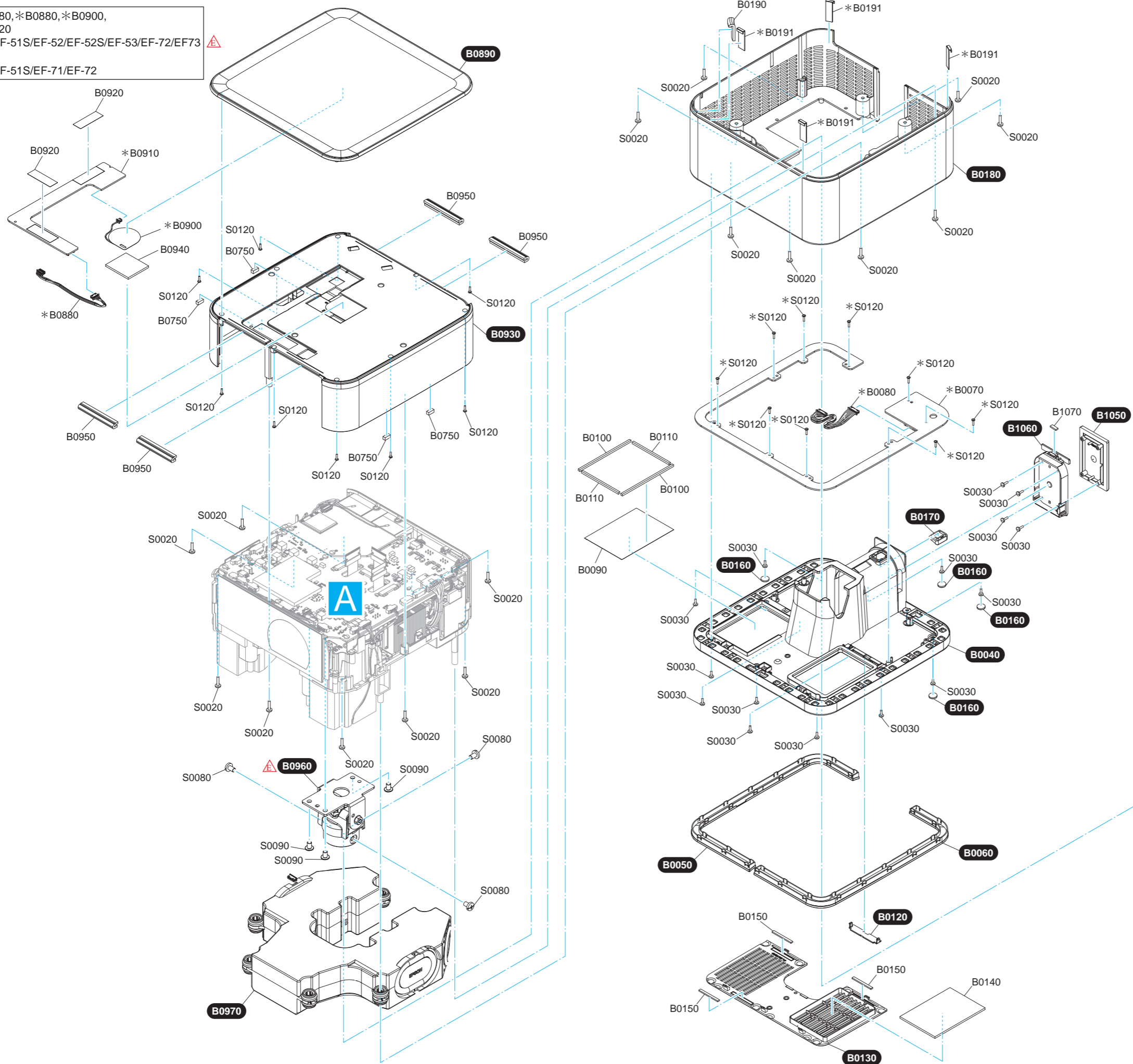


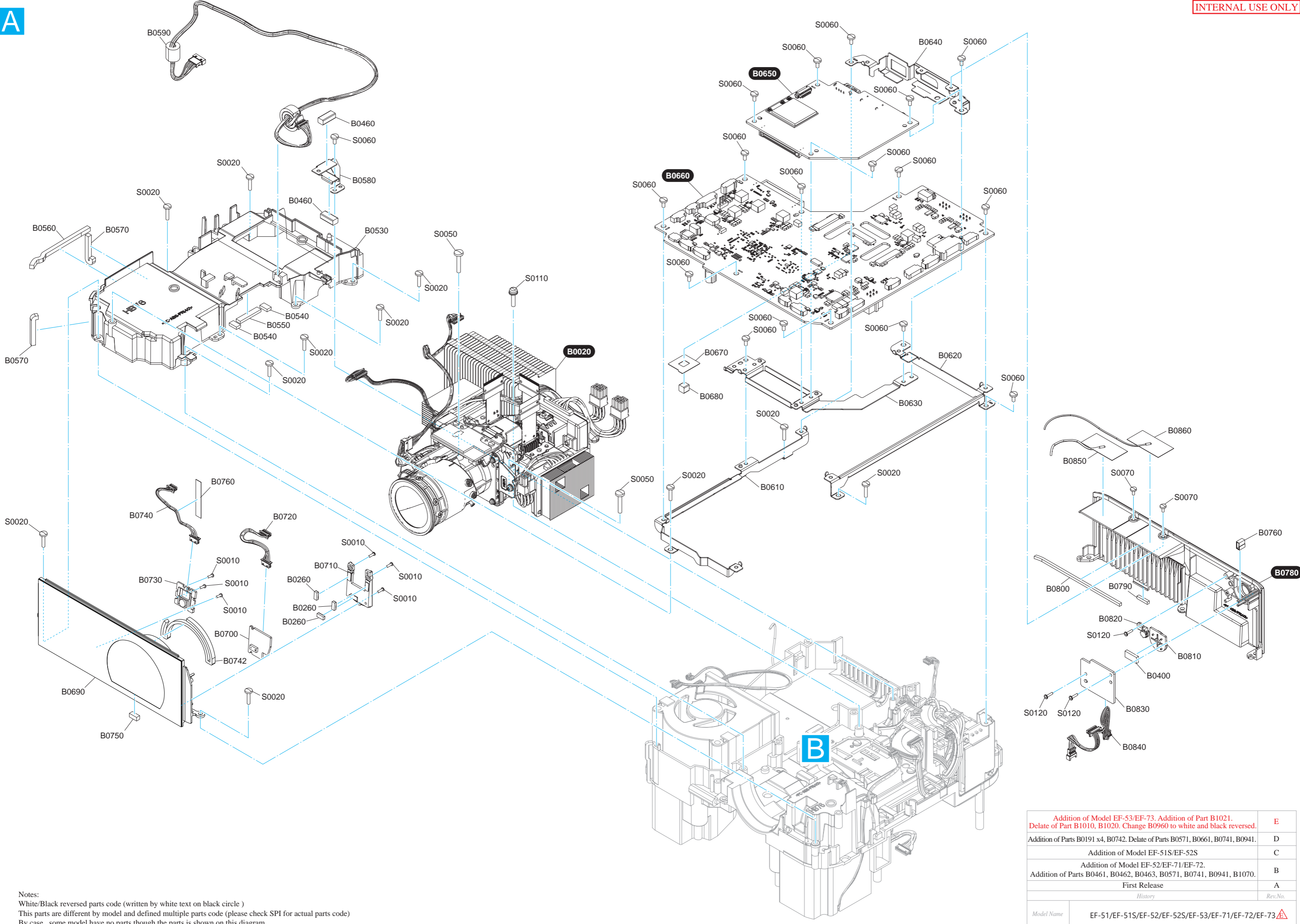
*B0070,*B0080,*B0880,*B0900,
 *B0910,*S0120
 Only in EF-51/EF-51S/EF-52/EF-52S/EF-53/EF-72/EF73
 *B0191
 Only in EF-51/EF-51S/EF-71/EF-72



Notes:
 White/Black reversed parts code (written by white text on black circle)
 This parts are different by model and defined multiple parts code (please check SPI for actual parts code)
 By case , some model have no parts though the parts is shown on this diagram.

Addition of Model EF-53/EF-73. Addition of Part B1021. Delate of Part B1010, B1020. Change B0960 to white and black reversed.		E
Addition of Parts B0191 x4, B0742. Delate of Parts B0571, B0661, B0741, B0941.		D
Addition of Model EF-51S/EF-52S		C
Addition of Model EF-52/EF-71/EF-72. Addition of Parts B0461, B0462, B0463, B0571, B0741, B0941, B1070.		B
First Release		A
<i>History</i>		<i>Rev.No.</i>
Model Name	EF-51/EF-51S/EF-52/EF-52S/EF-53/EF-71/EF-72/EF-73	

A



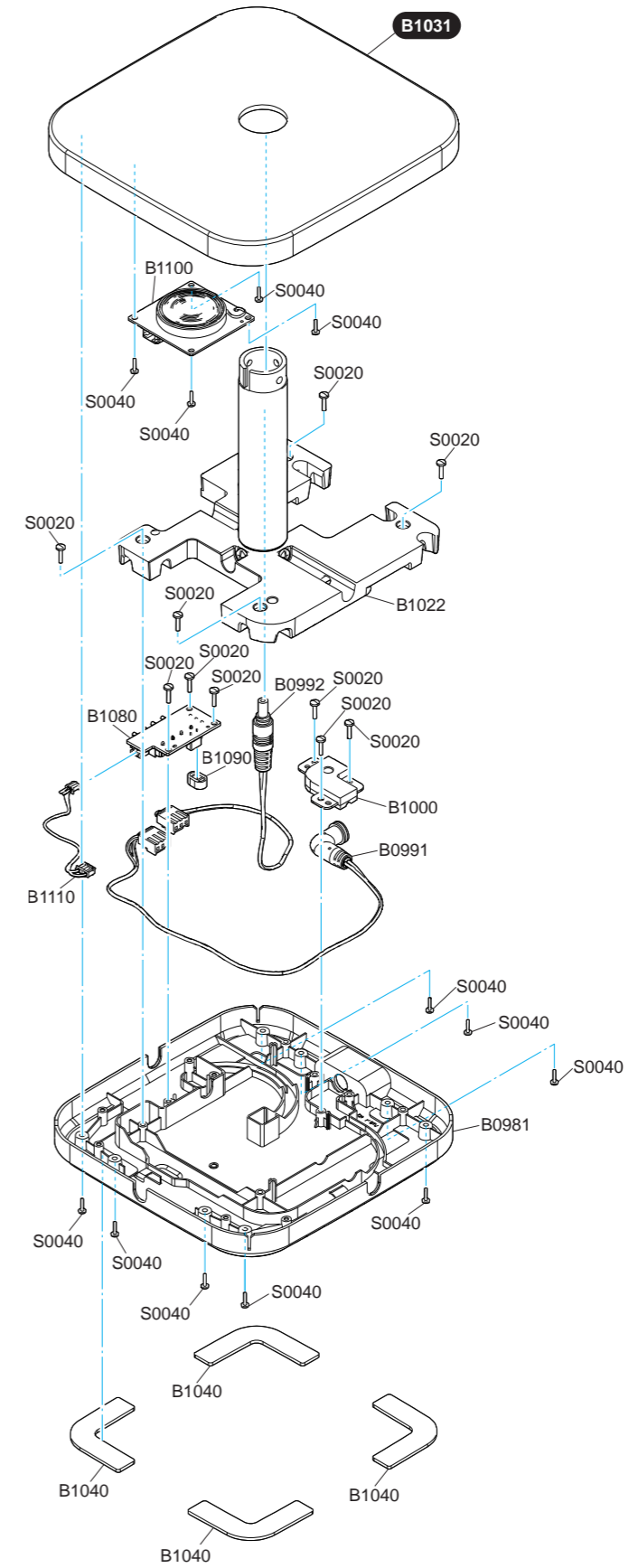
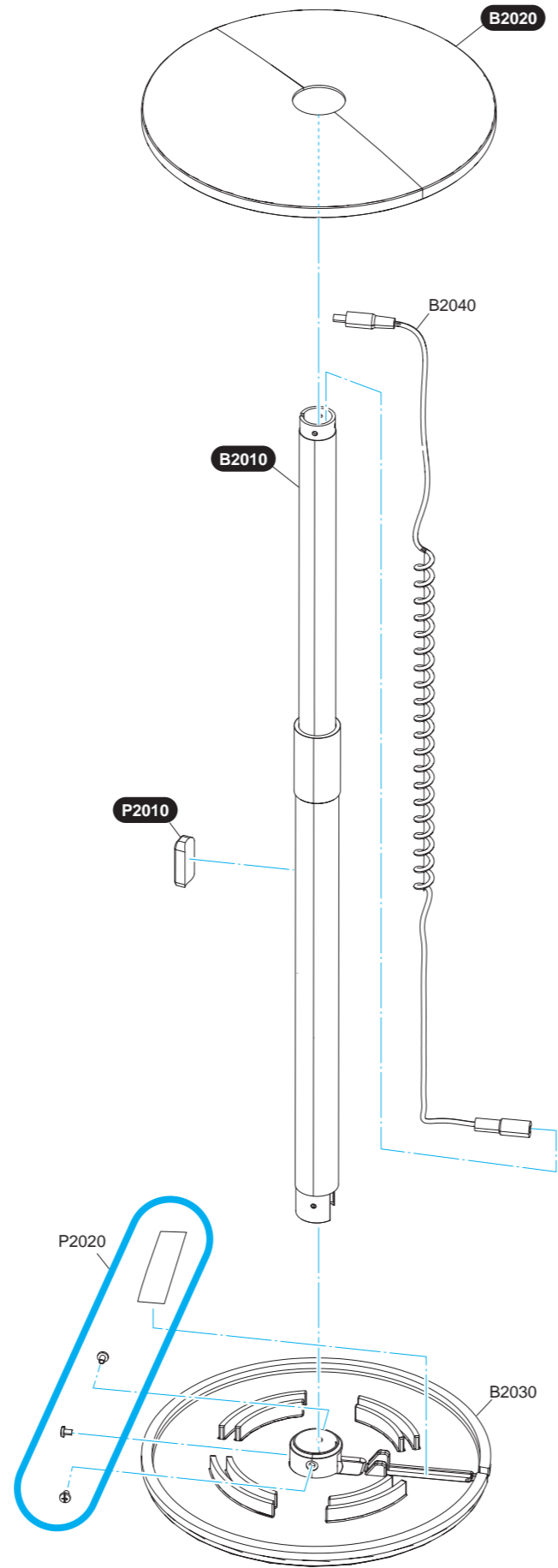
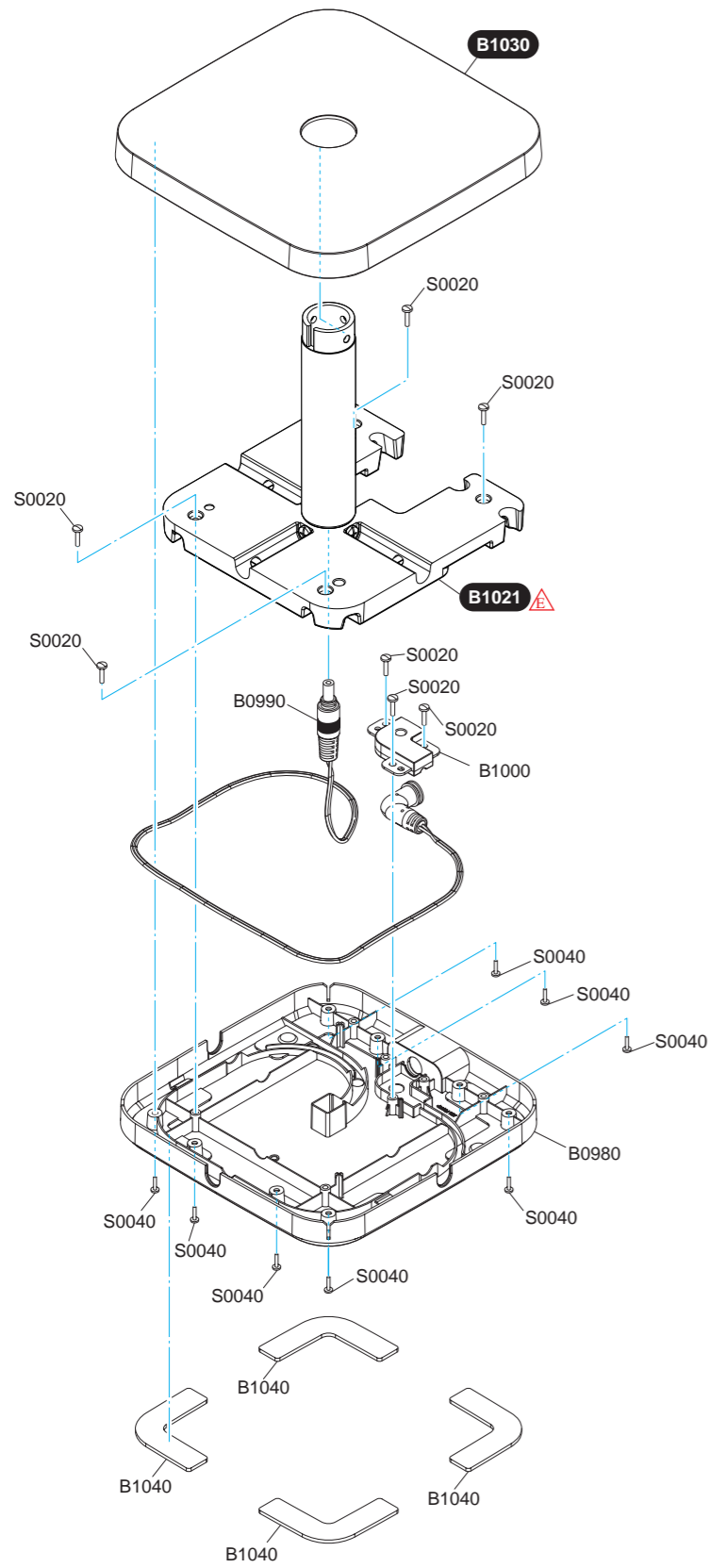
Notes:
 White/Black reversed parts code (written by white text on black circle)
 This parts are different by model and defined multiple parts code (please check SPI for actual parts code)
 By case , some model have no parts though the parts is shown on this diagram.

Addition of Model EF-53/EF-73. Addition of Part B1021. Delate of Part B1010, B1020. Change B0960 to white and black reversed.		E
Addition of Parts B0191 x4, B0742. Delate of Parts B0571, B0661, B0741, B0941.		D
Addition of Model EF-51S/EF-52S		C
Addition of Model EF-52/EF-71/EF-72. Addition of Parts B0461, B0462, B0463, B0571, B0741, B0941, B1070.		B
First Release		A
<i>History</i>		<i>Rev.No.</i>
Model Name	EF-51/EF-51S/EF-52/EF-52S/EF-53/EF-71/EF-72/EF-73	

Only in EF-51/EF-52/EF-71/EF-72

Only in EF-51S/EF-52S

Only in EF-53/EF-73



Notes:
 White/Black reversed parts code (written by white text on black circle)
 This parts are different by model and defined multiple parts code (please check SPI for actual parts code)
 By case , some model have no parts though the parts is shown on this diagram.

Addition of Model EF-53/EF-73. Addition of Part B1021. Delete of Part B1010, B1020. Change B0960 to white and black reversed.		E
Addition of Parts B0191 x4, B0742. Delete of Parts B0571, B0661, B0741, B0941.		D
Addition of Model EF-51S/EF-52S		C
Addition of Model EF-52/EF-71/EF-72. Addition of Parts B0461, B0462, B0463, B0571, B0741, B0941, B1070.		B
First Release		A
History		Rev.No.
Model Name	EF-51/EF-51S/EF-52/EF-52S/EF-53/EF-71/EF-72/EF-73	