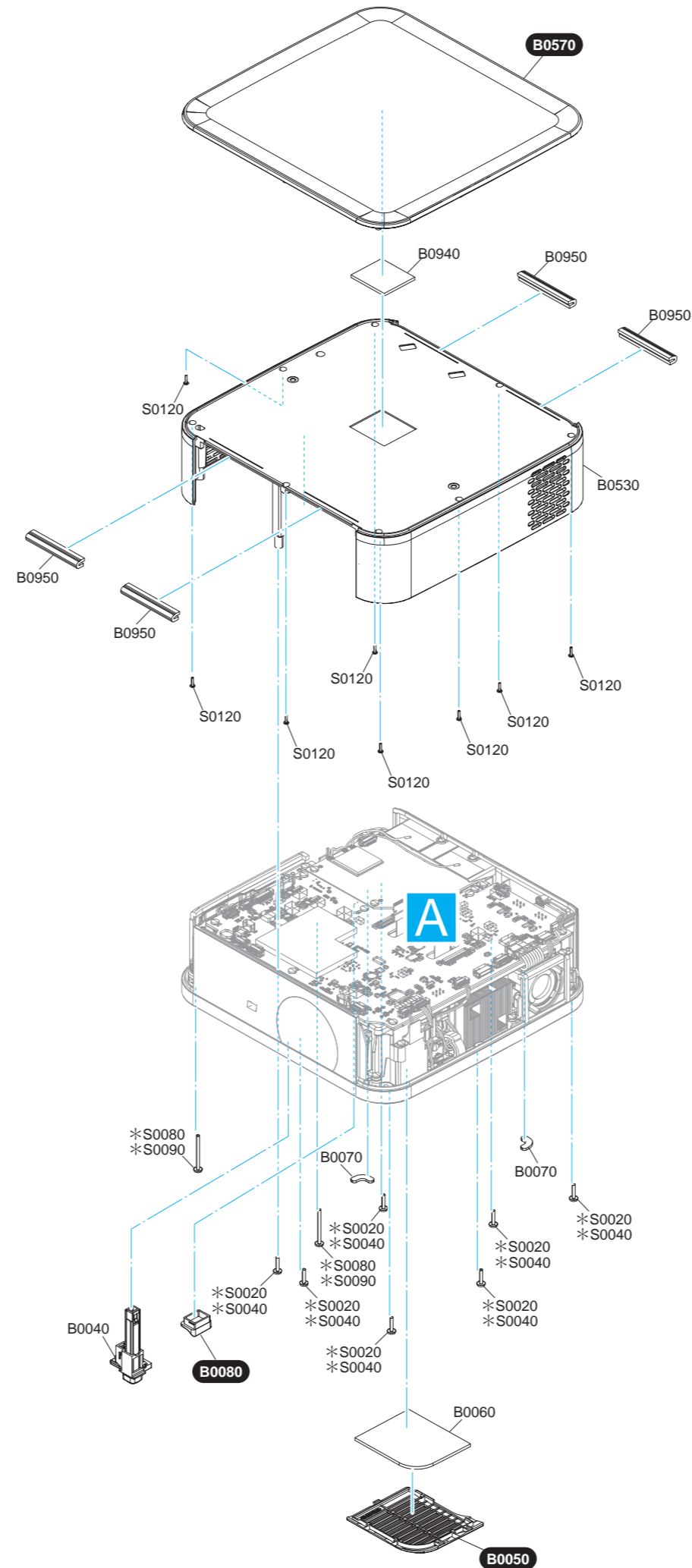


*S0020,*S0080
Only in EF-61W

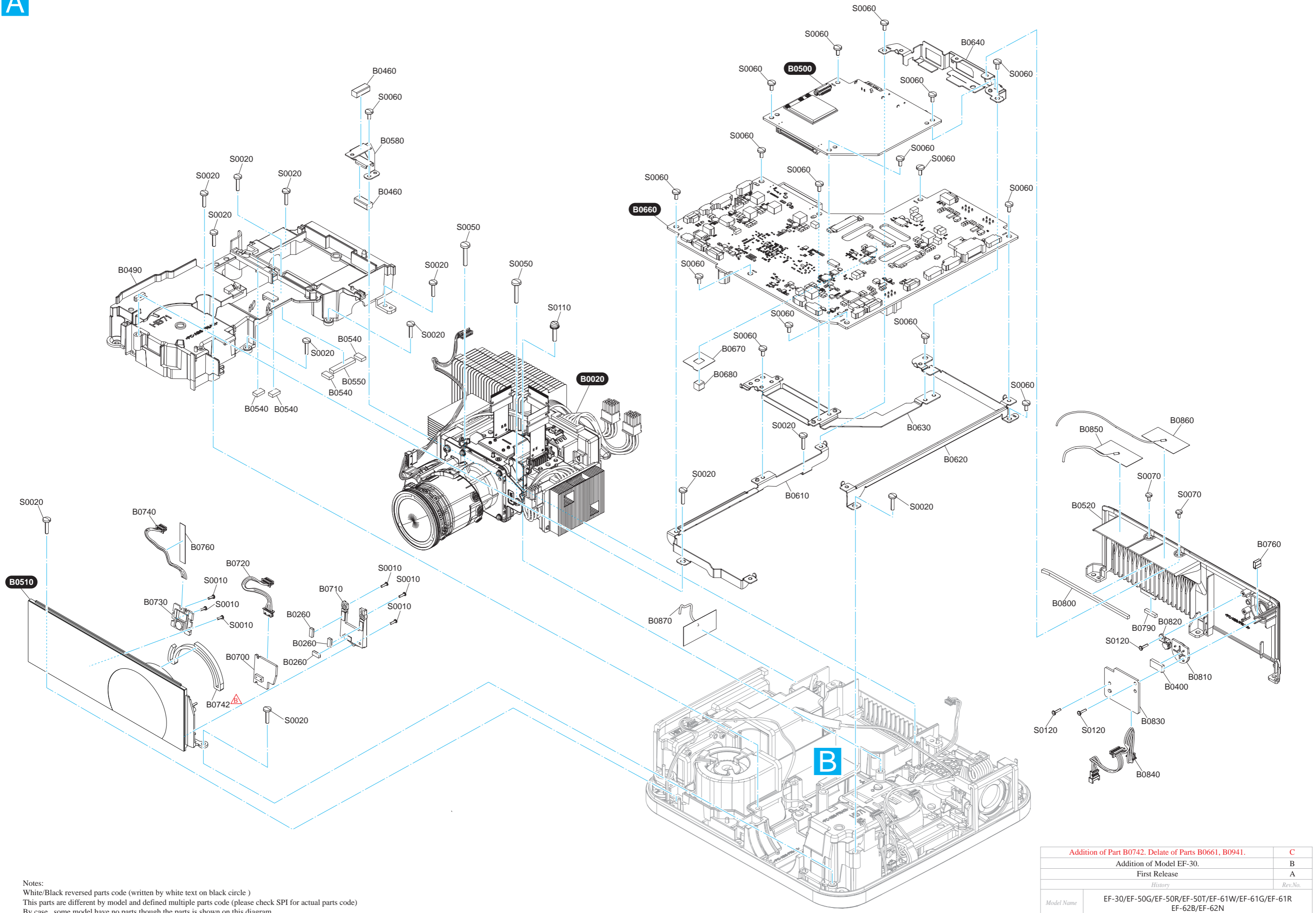
*S0040,*S0090
Only in EF-30/EF-50G/EF-50R/EF-50T/EF-61G/EF-61R/EF-62B/EF-62N



Notes:
White/Black reversed parts code (written by white text on black circle)
This parts are different by model and defined multiple parts code (please check SPI for actual parts code)
By case , some model have no parts though the parts is shown on this diagram.

	Addition of Part B0742. Delate of Parts B0661, B0941.	C
	Addition of Model EF-30.	B
	First Release	A
	History	Rev.No.
Model Name	EF-30/EF-50G/EF-50R/EF-50T/EF-61W/EF-61G/EF-61R EF-62B/EF-62N	

A



Notes:
 White/Black reversed parts code (written by white text on black circle)
 This parts are different by model and defined multiple parts code (please check SPI for actual parts code)
 By case , some model have no parts though the parts is shown on this diagram.

Addition of Part B0742. Delate of Parts B0661, B0941.		C
Addition of Model EF-30.		B
First Release		A
History		Rev.No.
Model Name	EF-30/EF-50G/EF-50R/EF-50T/EF-61W/EF-61G/EF-61R EF-62B/EF-62N	

