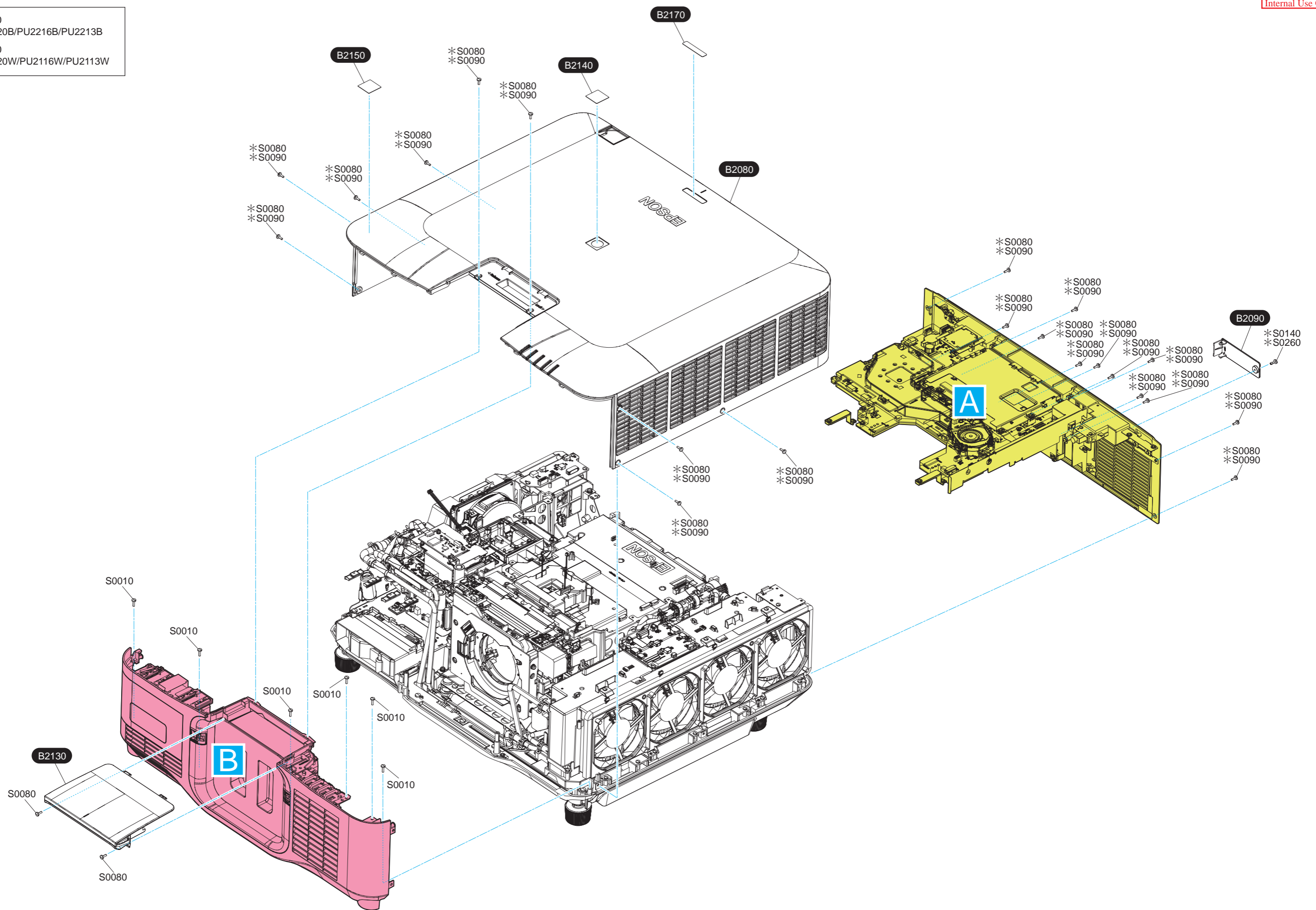
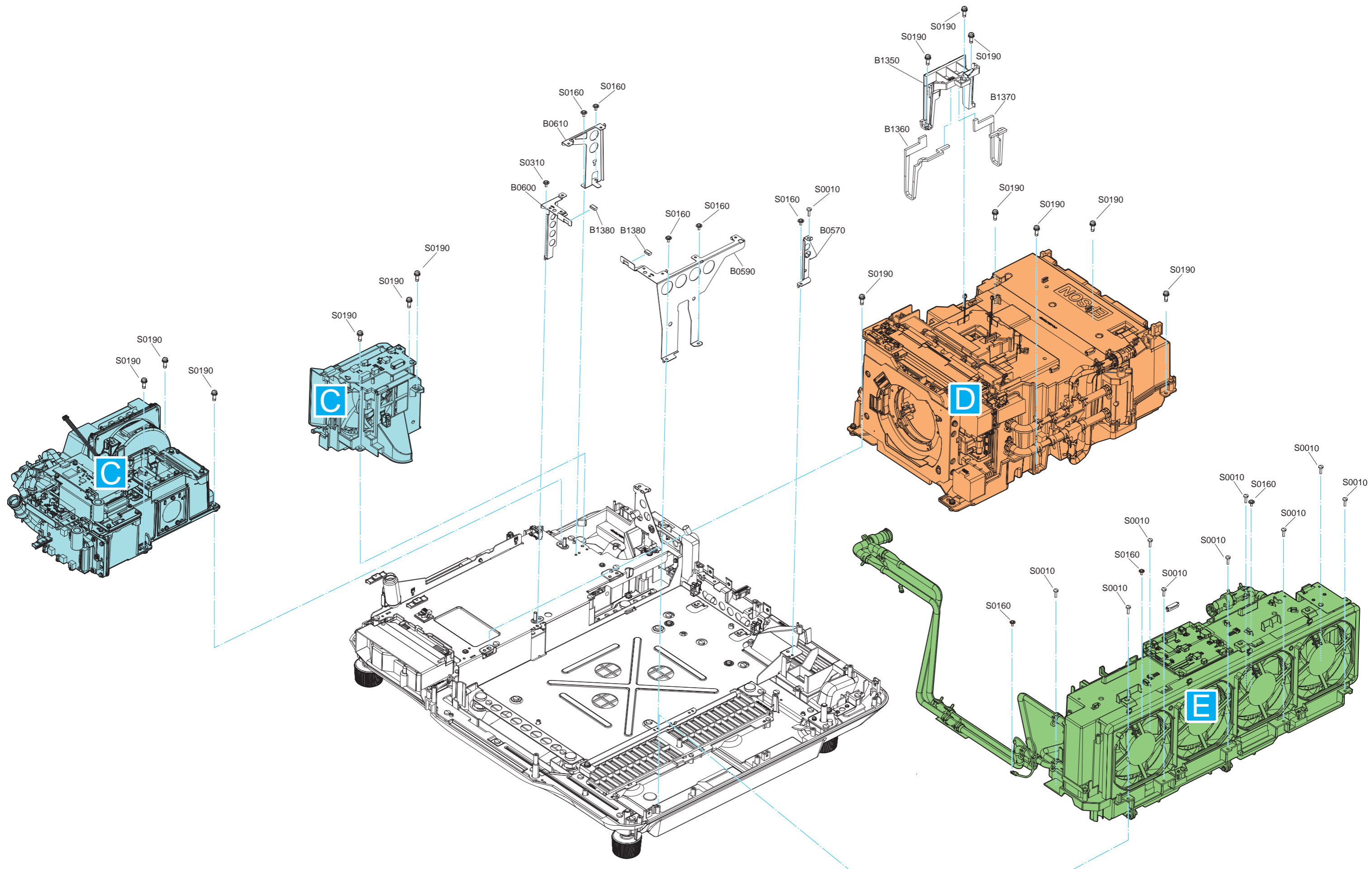


*S0080,*S0260
 Only in EB-PU2220B/PU2216B/PU2213B
 *S0090,*S0140
 Only in EB-PU2120W/PU2116W/PU2113W



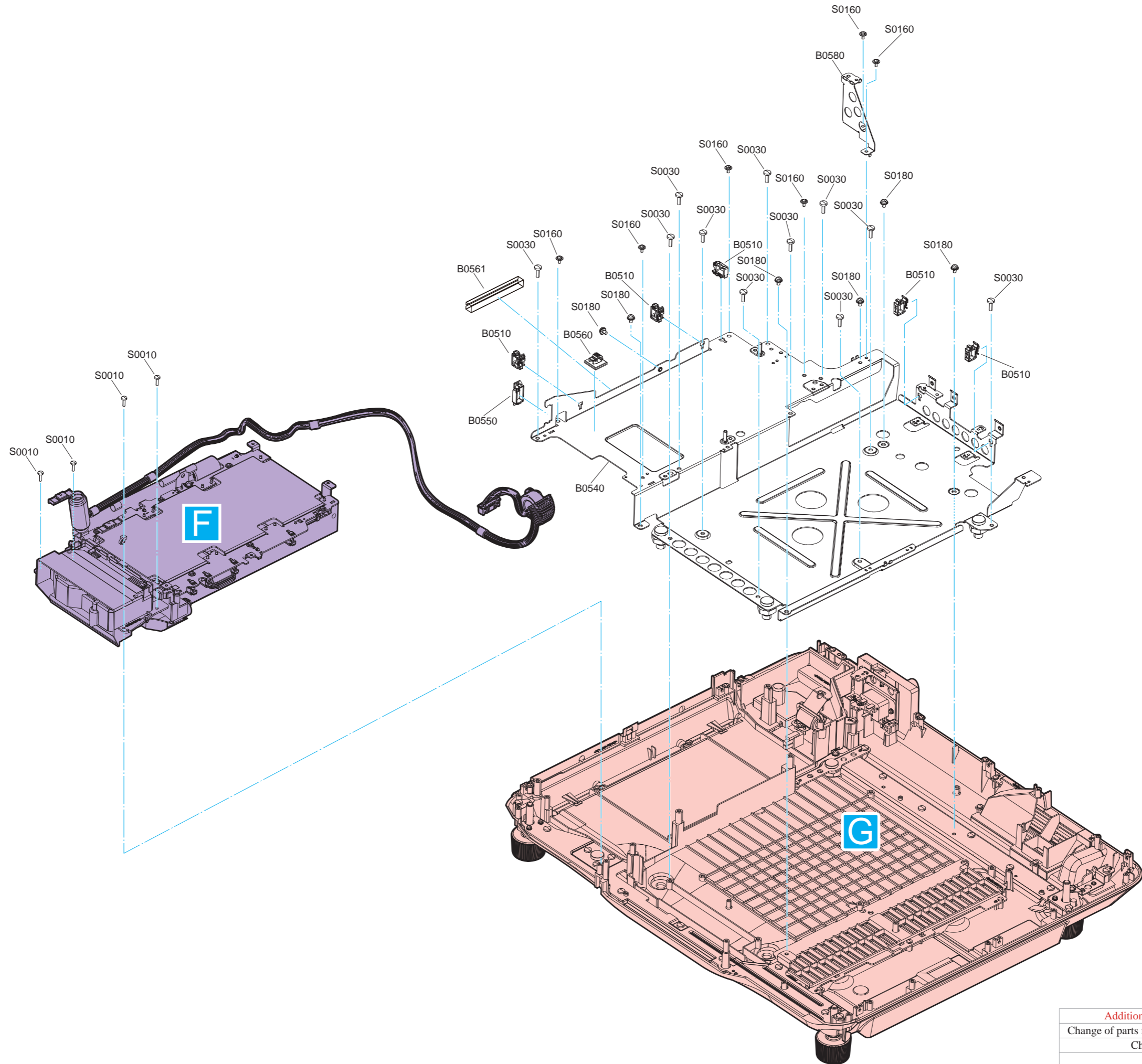
Notes:
 White/Black reversed parts code (written by white text on black circle)
 This parts are different by model and defined multiple parts code (please check SPI for actual parts code)
 By case , some model have no parts though the parts is shown on this diagram.

Addition of B0710/S0110/B0821/S0170×2		D
Change of parts for B1271×3, Addition of B0492×2/B1263		C
Change of Ref S0150 to S0190		B
History		Rev.No.
Model Name	EB-PU2120W/PU2116W/PU2113W/PU2220B /PU2216B/PU2213B	



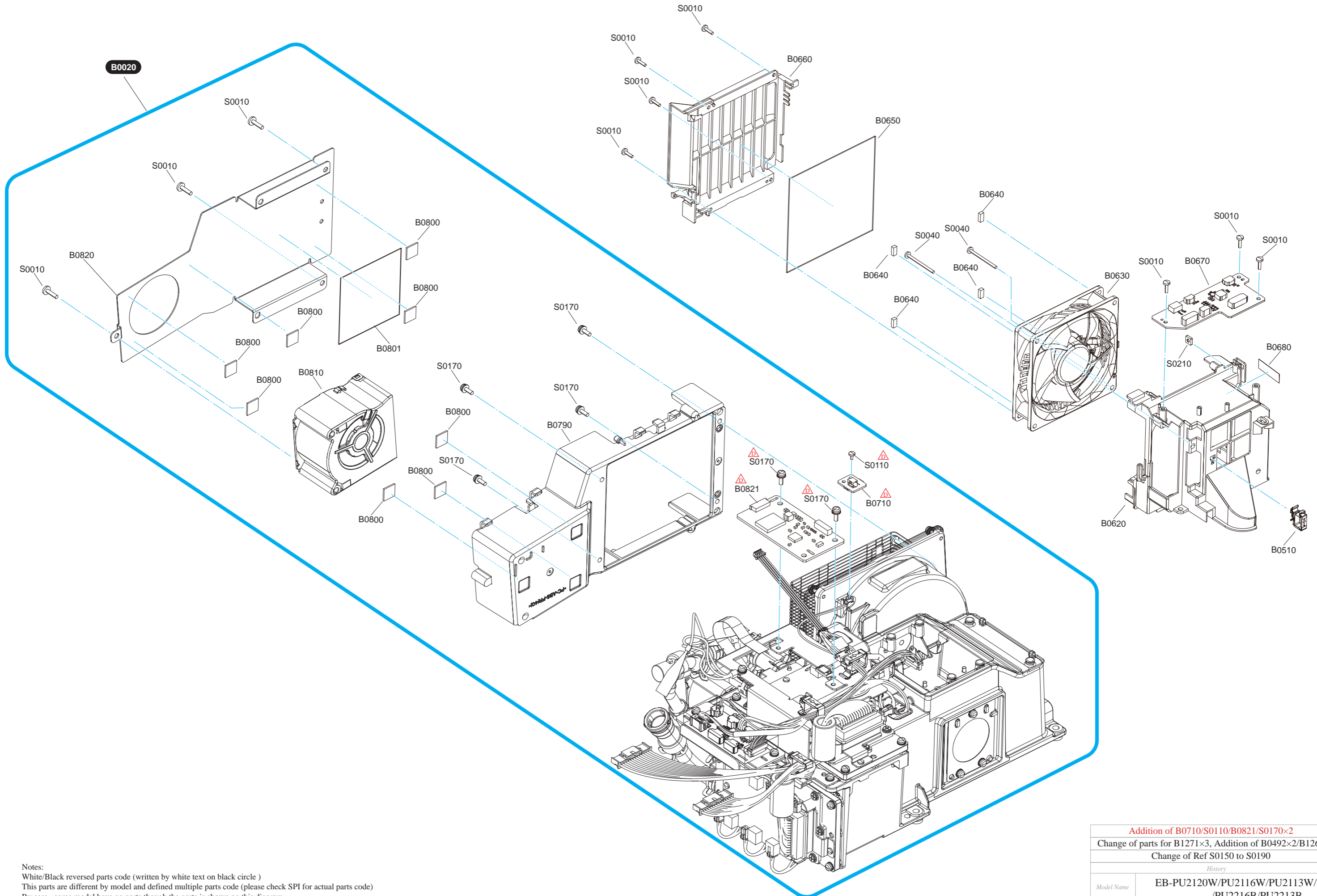
Notes:
 White/Black reversed parts code (written by white text on black circle)
 This parts are different by model and defined multiple parts code (please check SPI for actual parts code)
 By case , some model have no parts though the parts is shown on this diagram.

	Addition of B0710/S0110/B0821/S0170×2	D
	Change of parts for B1271×3, Addition of B0492×2/B1263	C
	Change of Ref S0150 to S0190	B
	History	Rev.No.
Model Name	EB-PU2120W/PU2116W/PU2113W/PU2220B /PU2216B/PU2213B	



Notes:
 White/Black reversed parts code (written by white text on black circle)
 This parts are different by model and defined multiple parts code (please check SPI for actual parts code)
 By case , some model have no parts though the parts is shown on this diagram.

	Addition of B0710/S0110/B0821/S0170×2	D
	Change of parts for B1271×3, Addition of B0492×2/B1263	C
	Change of Ref S0150 to S0190	B
	History	Rev.No.
Model Name	EB-PU2120W/PU2116W/PU2113W/PU2220B /PU2216B/PU2213B	

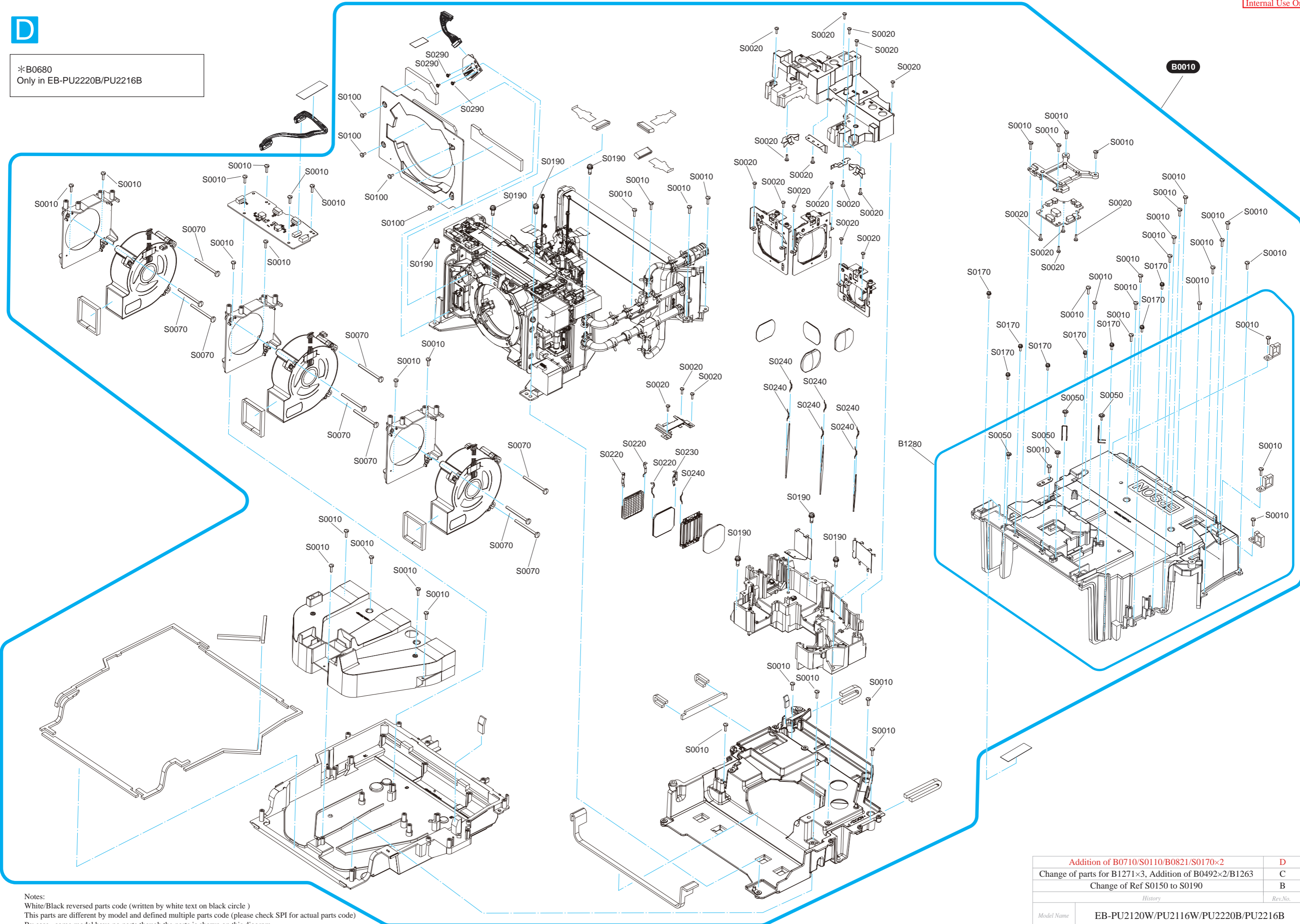


Notes:
 White/Black reversed parts code (written by white text on black circle)
 This parts are different by model and defined multiple parts code (please check SPI for actual parts code)
 By case , some model have no parts though the parts is shown on this diagram.

Addition of B0710/S0110/B0821/S0170×2		D
Change of parts for B1271×3, Addition of B0492×2/B1263		C
Change of Ref S0150 to S0190		B
History		Rev.No.
Model Name	EB-PU2120W/PU2116W/PU2113W/PU2220B /PU2216B/PU2213B	

D

*B0680
Only in EB-PU2220B/PU2216B

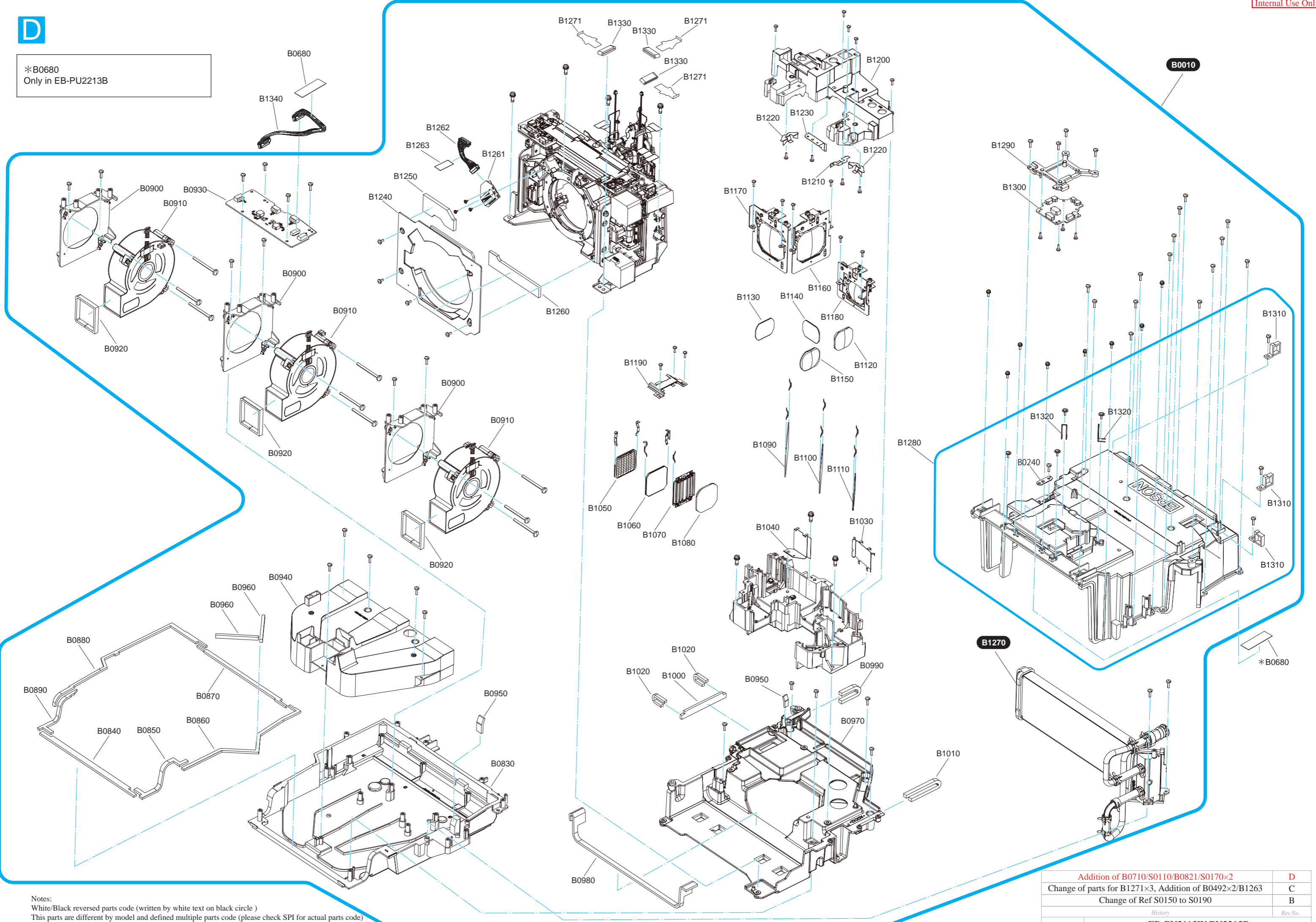


Notes:
 White/Black reversed parts code (written by white text on black circle)
 This parts are different by model and defined multiple parts code (please check SPI for actual parts code)
 By case , some model have no parts though the parts is shown on this diagram.

Addition of B0710/S0110/B0821/S0170×2		D
Change of parts for B1271×3, Addition of B0492×2/B1263		C
Change of Ref S0150 to S0190		B
History		Rev.No.
Model Name	EB-PU2120W/PU2116W/PU2220B/PU2216B	

D

*B0680
Only in EB-PU2213B

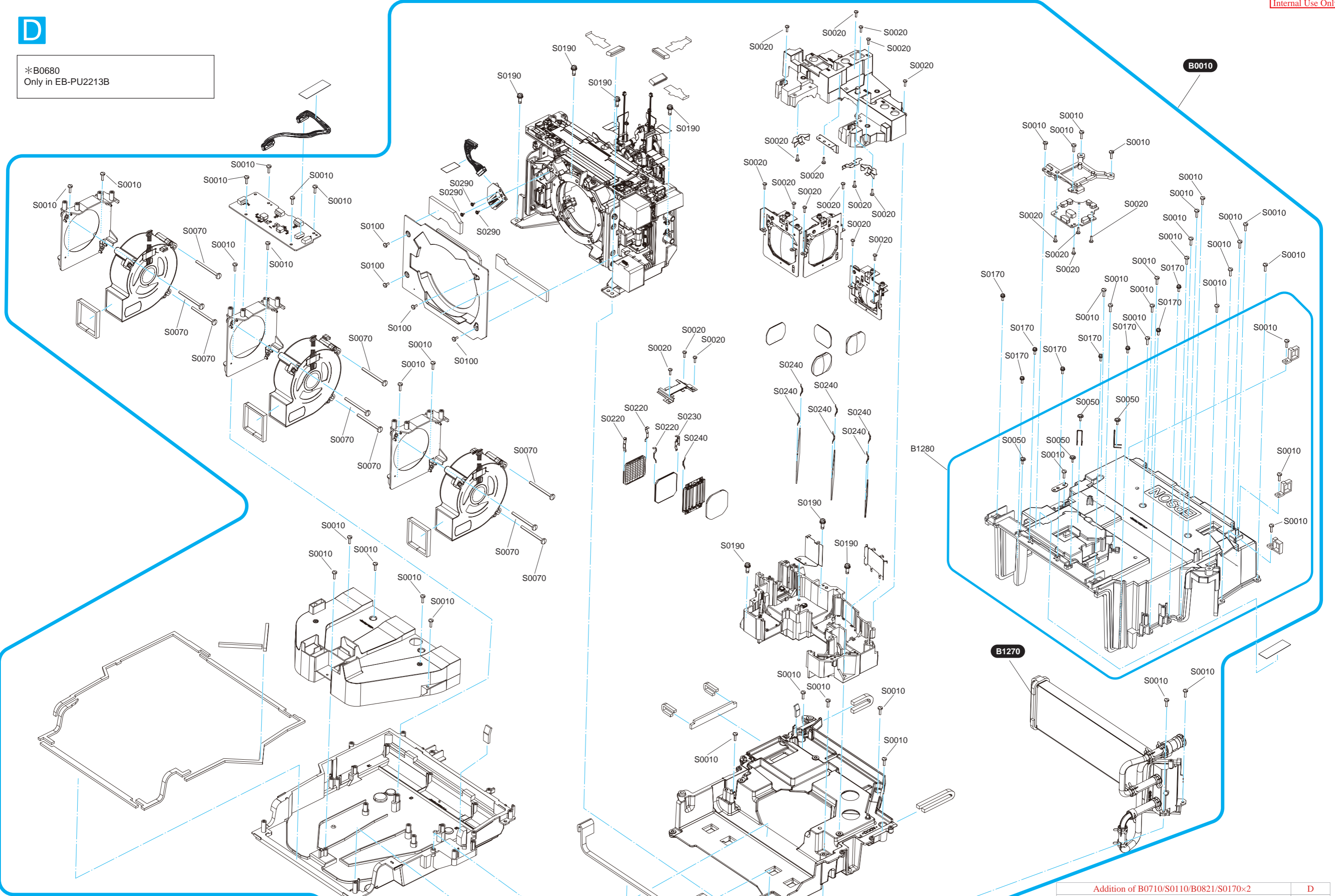


Notes:
White/Black reversed parts code (written by white text on black circle)
This parts are different by model and defined multiple parts code (please check SPI for actual parts code)
By case , some model have no parts though the parts is shown on this diagram.

Addition of B0710/S0110/B0821/S0170×2		D
Change of parts for B1271×3, Addition of B0492×2/B1263		C
Change of Ref S0150 to S0190		B
History		
Model Name	EB-PU2113W/PU2213B	Rev.No.

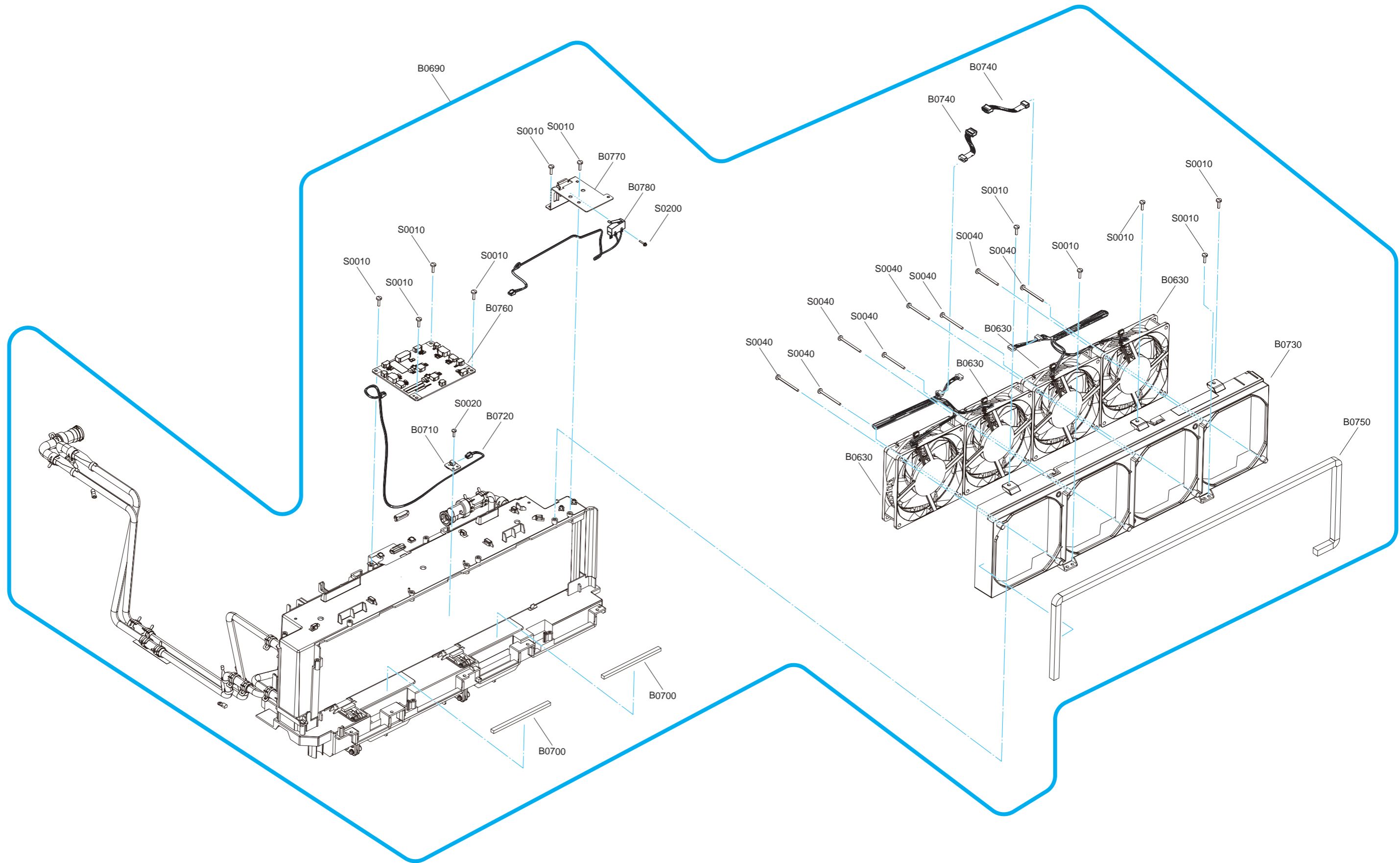
D

*B0680
Only in EB-PU2213B



Notes:
 White/Black reversed parts code (written by white text on black circle)
 This parts are different by model and defined multiple parts code (please check SPI for actual parts code)
 By case , some model have no parts though the parts is shown on this diagram.

Addition of B0710/S0110/B0821/S0170×2		D
Change of parts for B1271×3, Addition of B0492×2/B1263		C
Change of Ref S0150 to S0190		B
History		Rev.No.
Model Name	EB-PU2113W/PU2213B	

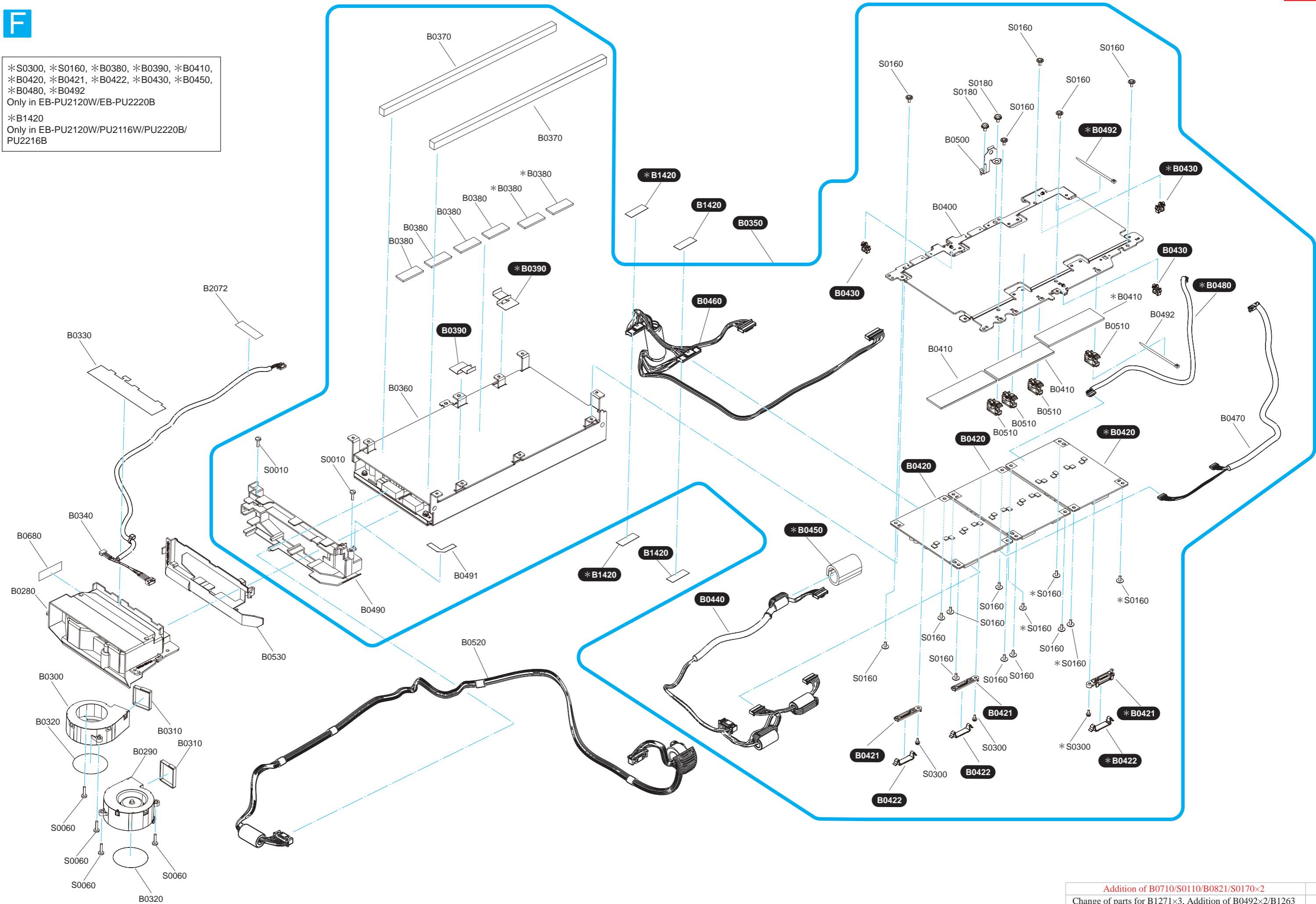


Notes:
 White/Black reversed parts code (written by white text on black circle)
 This parts are different by model and defined multiple parts code (please check SPI for actual parts code)
 By case , some model have no parts though the parts is shown on this diagram.

	Addition of B0710/S0110/B0821/S0170×2	D
	Change of parts for B1271×3, Addition of B0492×2/B1263	C
	Change of Ref S0150 to S0190	B
	History	Rev.No.
Model Name	EB-PU2120W/PU2116W/PU2113W/PU2220B /PU2216B/PU2213B	

F

*S0300, *S0160, *B0380, *B0390, *B0410,
 *B0420, *B0421, *B0422, *B0430, *B0450,
 *B0480, *B0492
 Only in EB-PU2120W/EB-PU2220B
 *B1420
 Only in EB-PU2120W/PU2116W/PU2220B/
 PU2216B



Notes:
 White/Black reversed parts code (written by white text on black circle)
 This parts are different by model and defined multiple parts code (please check SPI for actual parts code)
 By case , some model have no parts though the parts is shown on this diagram.

	Addition of B0710/S0110/B0821/S0170×2	D
	Change of parts for B1271×3, Addition of B0492×2/B1263	C
	Change of Ref S0150 to S0190	B
	History	Rev.No.
Model Name	EB-PU2120W/PU2116W/PU2113W/PU2220B /PU2216B/PU2213B	

