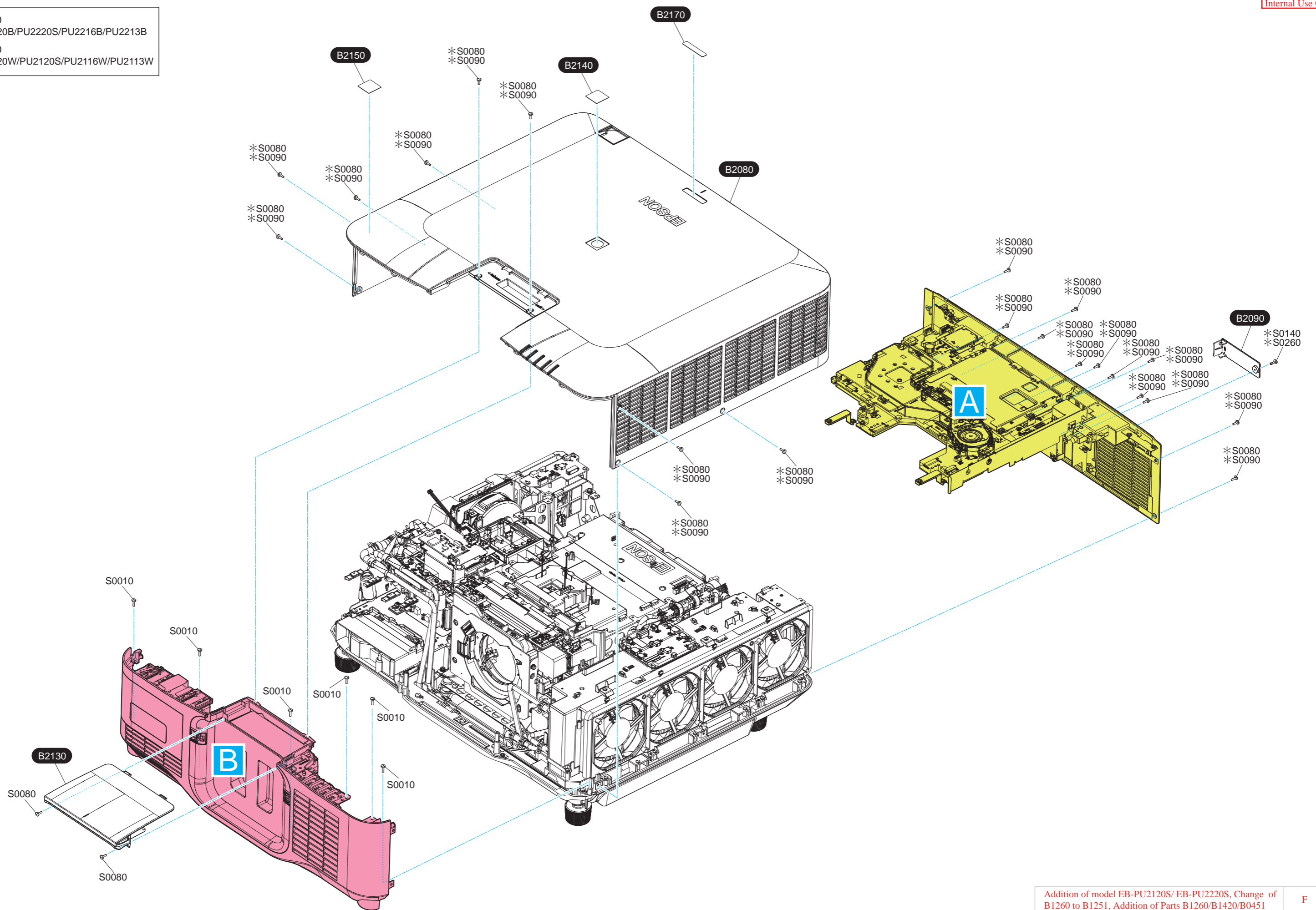
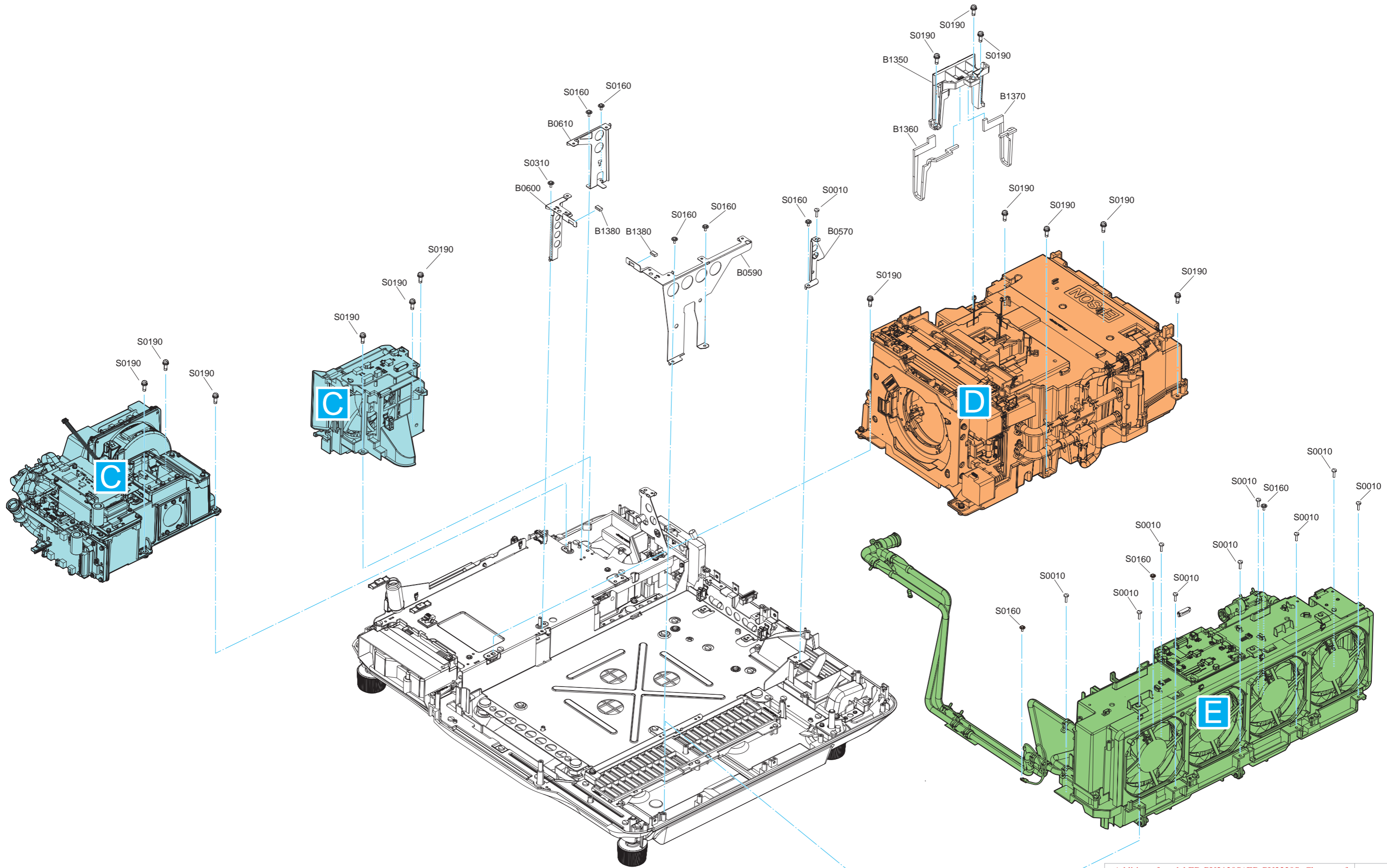


*S0080,*S0260
 Only in EB-PU2220B/PU2220S/PU2216B/PU2213B
 *S0090,*S0140
 Only in EB-PU2120W/PU2120S/PU2116W/PU2113W



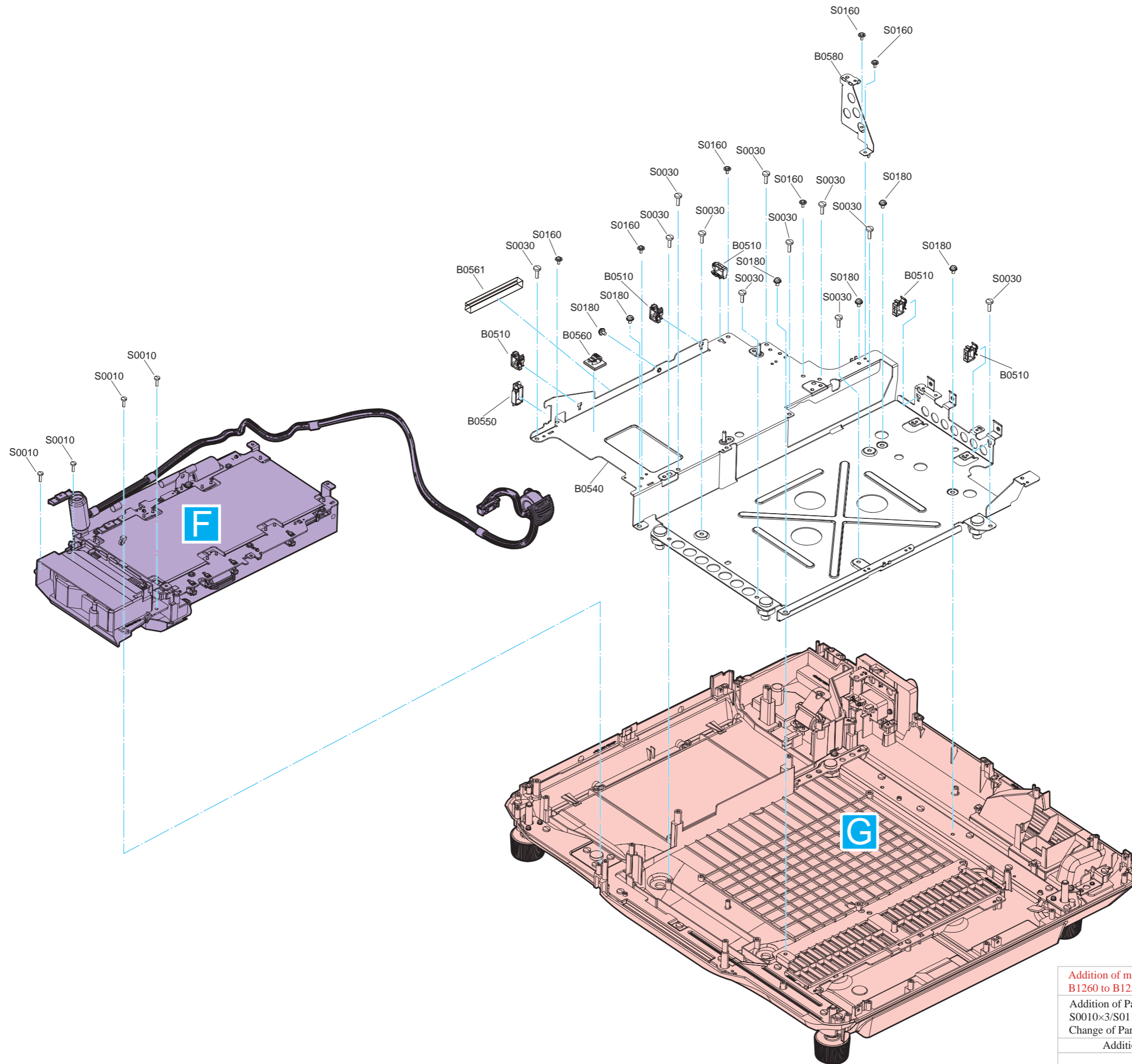
Notes:
 White/Black reversed parts code (written by white text on black circle)
 This parts are different by model and defined multiple parts code (please check SPI for actual parts code)
 By case , some model have no parts though the parts is shown on this diagram.

Addition of model EB-PU2120S/ EB-PU2220S, Change of B1260 to B1251, Addition of Parts B1260/B1420/B0451		F
Addition of Parts B0410×3/B0411×3/B0822×2/B0823×2/S0010×3/S0110×6. Change of Parts B0371×2. Deletion of Parts B1420×4.		E
Addition of B0710/S0110/B0821/S0170×2		D
History		Rev.No.
Model Name	EB-PU2120W/PU2120S/PU2116W/PU2113W/ PU2220B/PU2220S/PU2216B/PU2213B	



Addition of model EB-PU2120S/ EB-PU2220S, Change of B1260 to B1251, Addition of Parts B1260/B1420/B0451		F
Addition of Parts B0410×3/B0411×3/B0822×2/B0823×2/S0010×3/S0110×6.		E
Change of Parts B0371×2. Deletion of Parts B1420×4.		D
Addition of B0710/S0110/B0821/S0170×2		
<i>History</i>		<i>Rev.No.</i>
<i>Model Name</i>	EB-PU2120W/PU2120S/PU2116W/PU2113W/PU2220B/PU2220S/PU2216B/PU2213B	

Notes:
 White/Black reversed parts code (written by white text on black circle)
 This parts are different by model and defined multiple parts code (please check SPI for actual parts code)
 By case , some model have no parts though the parts is shown on this diagram.

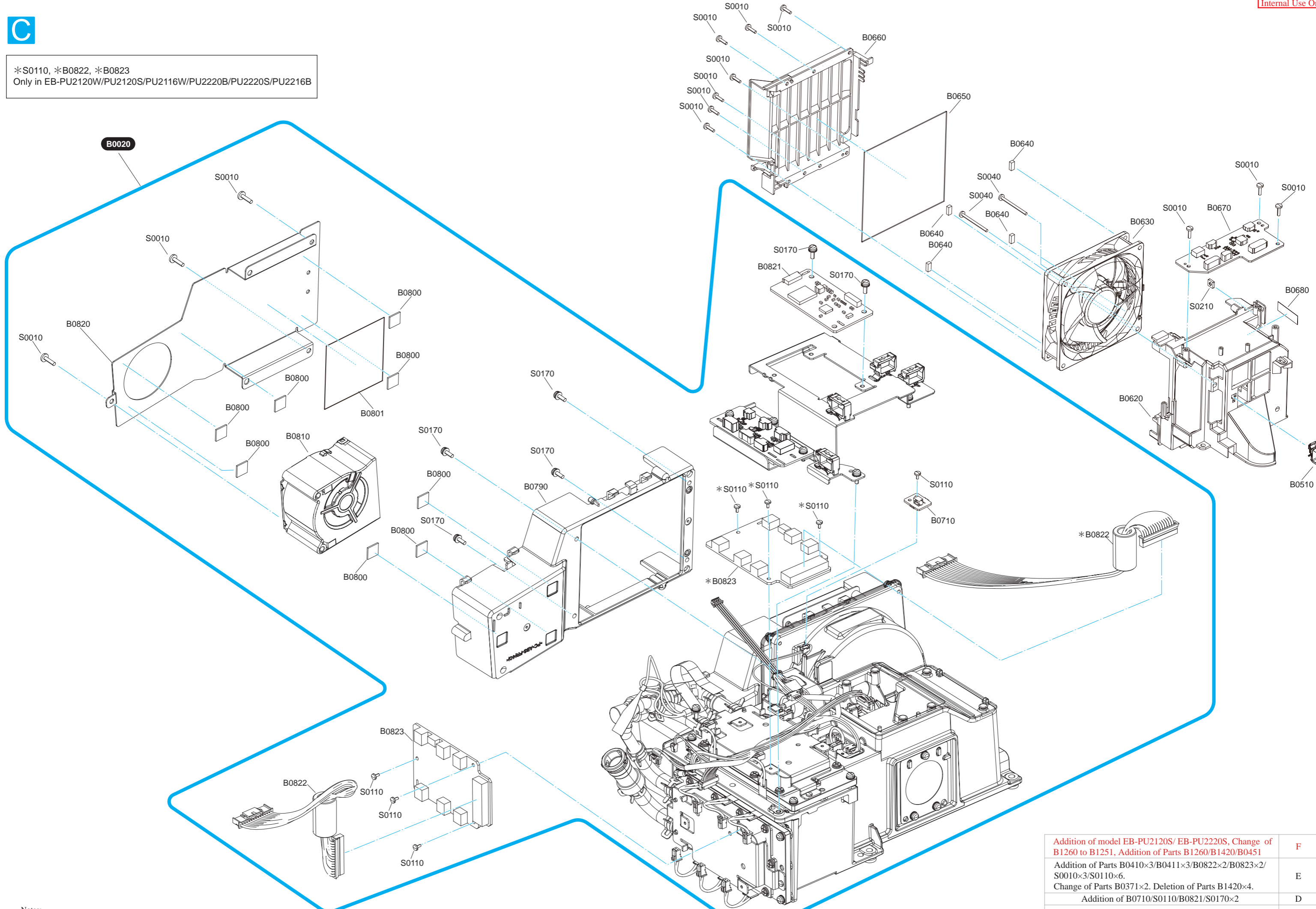


Notes:
 White/Black reversed parts code (written by white text on black circle)
 This parts are different by model and defined multiple parts code (please check SPI for actual parts code)
 By case , some model have no parts though the parts is shown on this diagram.

Addition of model EB-PU2120S/ EB-PU2220S, Change of B1260 to B1251, Addition of Parts B1260/B1420/B0451		F
Addition of Parts B0410×3/B0411×3/B0822×2/B0823×2/ S0010×3/S0110×6. Change of Parts B0371×2. Deletion of Parts B1420×4.		E
Addition of B0710/S0110/B0821/S0170×2		D
<i>History</i>		<i>Rev.No.</i>
<i>Model Name</i>	EB-PU2120W/PU2120S/PU2116W/PU2113W/ PU2220B/PU2220S/PU2216B/PU2213B	



*S0110, *B0822, *B0823
Only in EB-PU2120W/PU2120S/PU2116W/PU2220B/PU2220S/PU2216B

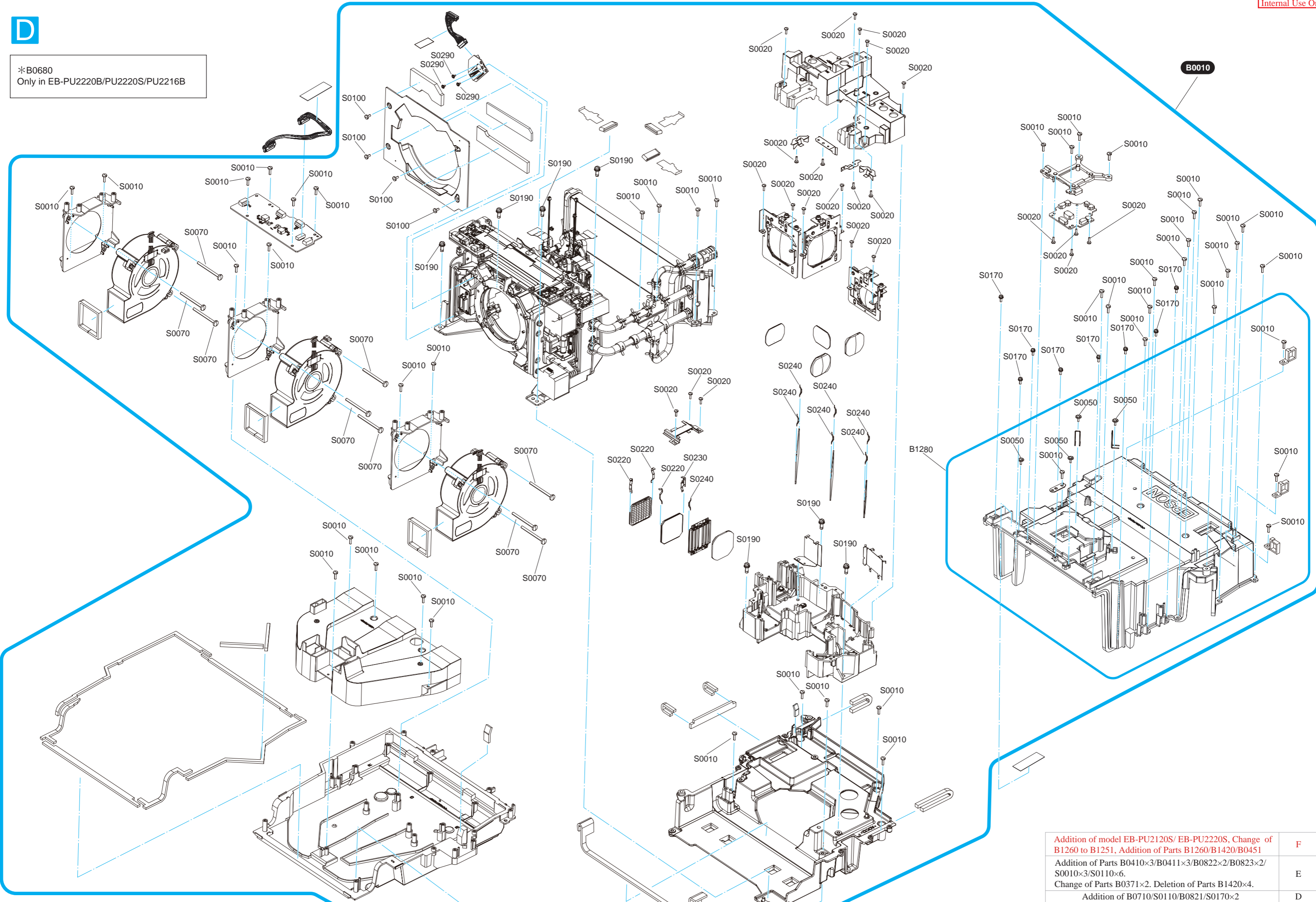


Notes:
White/Black reversed parts code (written by white text on black circle)
This parts are different by model and defined multiple parts code (please check SPI for actual parts code)
By case , some model have no parts though the parts is shown on this diagram.

Addition of model EB-PU2120S/ EB-PU2220S, Change of B1260 to B1251, Addition of Parts B1260/B1420/B0451		F
Addition of Parts B0410×3/B0411×3/B0822×2/B0823×2/ S0010×3/S0110×6.		E
Change of Parts B0371×2. Deletion of Parts B1420×4.		D
Addition of B0710/S0110/B0821/S0170×2		
History		
Model Name	EB-PU2120W/PU2120S/PU2116W/PU2113W/ PU2220B/PU2220S/PU2216B/PU2213B	Rev.No.

D

*B0680
Only in EB-PU2220B/PU2220S/PU2216B

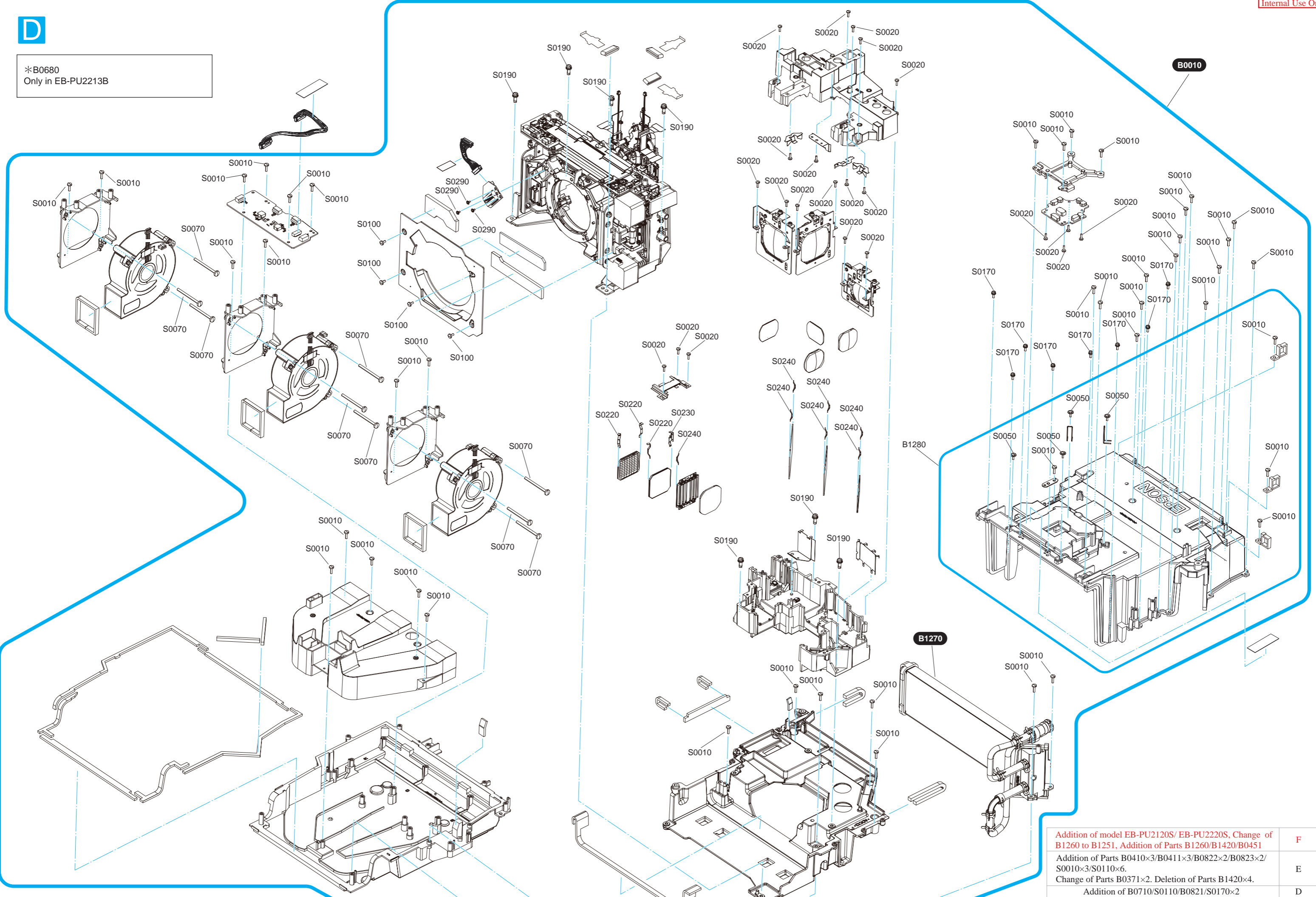


Notes:
White/Black reversed parts code (written by white text on black circle)
This parts are different by model and defined multiple parts code (please check SPI for actual parts code)
By case , some model have no parts though the parts is shown on this diagram.

Addition of model EB-PU2120S/ EB-PU2220S, Change of B1260 to B1251, Addition of Parts B1260/B1420/B0451		F
Addition of Parts B0410×3/B0411×3/B0822×2/B0823×2/ S0010×3/S0110×6.		E
Change of Parts B0371×2. Deletion of Parts B1420×4.		D
Addition of B0710/S0110/B0821/S0170×2		
History		Rev.No.
Model Name	EB-PU2120W/PU2120S/PU2116W/ PU2220B/PU2220S/PU2216B	

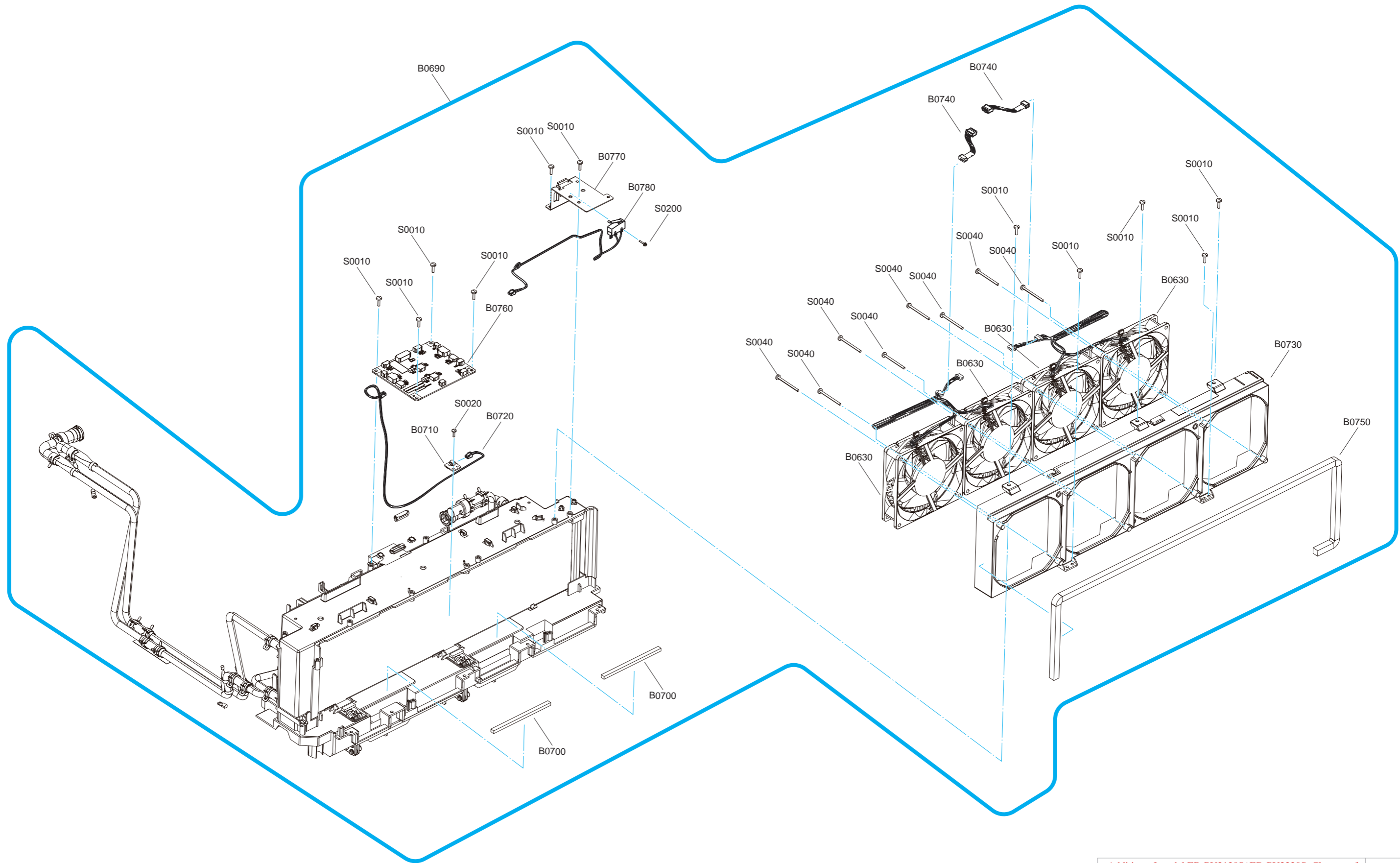
D

*B0680
Only in EB-PU2213B



Notes:
 White/Black reversed parts code (written by white text on black circle)
 This parts are different by model and defined multiple parts code (please check SPI for actual parts code)
 By case , some model have no parts though the parts is shown on this diagram.

Addition of model EB-PU2120S/ EB-PU2220S, Change of B1260 to B1251, Addition of Parts B1260/B1420/B0451		F
Addition of Parts B0410×3/B0411×3/B0822×2/B0823×2/ S0010×3/S0110×6.		E
Change of Parts B0371×2. Deletion of Parts B1420×4.		D
Addition of B0710/S0110/B0821/S0170×2		
History		Rev.No.
Model Name	EB-PU2113W/PU2213B	

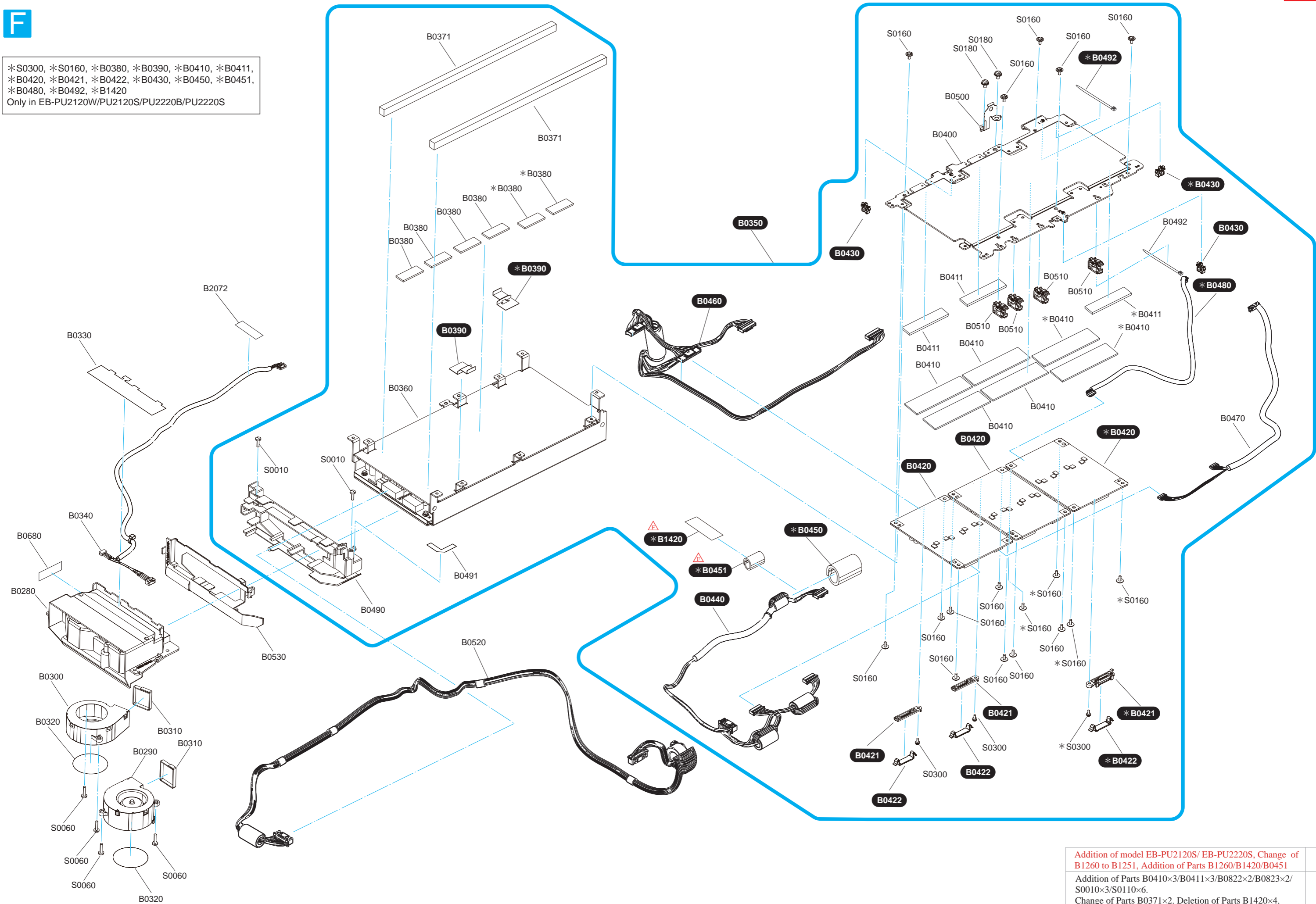


Notes:
 White/Black reversed parts code (written by white text on black circle)
 This parts are different by model and defined multiple parts code (please check SPI for actual parts code)
 By case , some model have no parts though the parts is shown on this diagram.

Addition of model EB-PU2120S/ EB-PU2220S, Change of B1260 to B1251, Addition of Parts B1260/B1420/B0451		F
Addition of Parts B0410×3/B0411×3/B0822×2/B0823×2/S0010×3/S0110×6. Change of Parts B0371×2. Deletion of Parts B1420×4.		E
Addition of B0710/S0110/B0821/S0170×2		D
<i>History</i>		<i>Rev.No.</i>
<i>Model Name</i>	EB-PU2120W/PU2120S/PU2116W/PU2113W/ PU2220B/PU2220S/PU2216B/PU2213B	

F

*S0300, *S0160, *B0380, *B0390, *B0410, *B0411, *B0420, *B0421, *B0422, *B0430, *B0450, *B0451, *B0480, *B0492, *B1420
Only in EB-PU2120W/PU2120S/PU2220B/PU2220S



Notes:
White/Black reversed parts code (written by white text on black circle)
This parts are different by model and defined multiple parts code (please check SPI for actual parts code)
By case , some model have no parts though the parts is shown on this diagram.

Addition of model EB-PU2120S/ EB-PU2220S, Change of B1260 to B1251, Addition of Parts B1260/B1420/B0451		F
Addition of Parts B0410×3/B0411×3/B0822×2/B0823×2/ S0010×3/S0110×6.		E
Change of Parts B0371×2. Deletion of Parts B1420×4.		D
Addition of B0710/S0110/B0821/S0170×2		
History		Rev.No.
Model Name	EB-PU2120W/PU2120S/PU2116W/PU2113W/ PU2220B/PU2220S/PU2216B/PU2213B	

