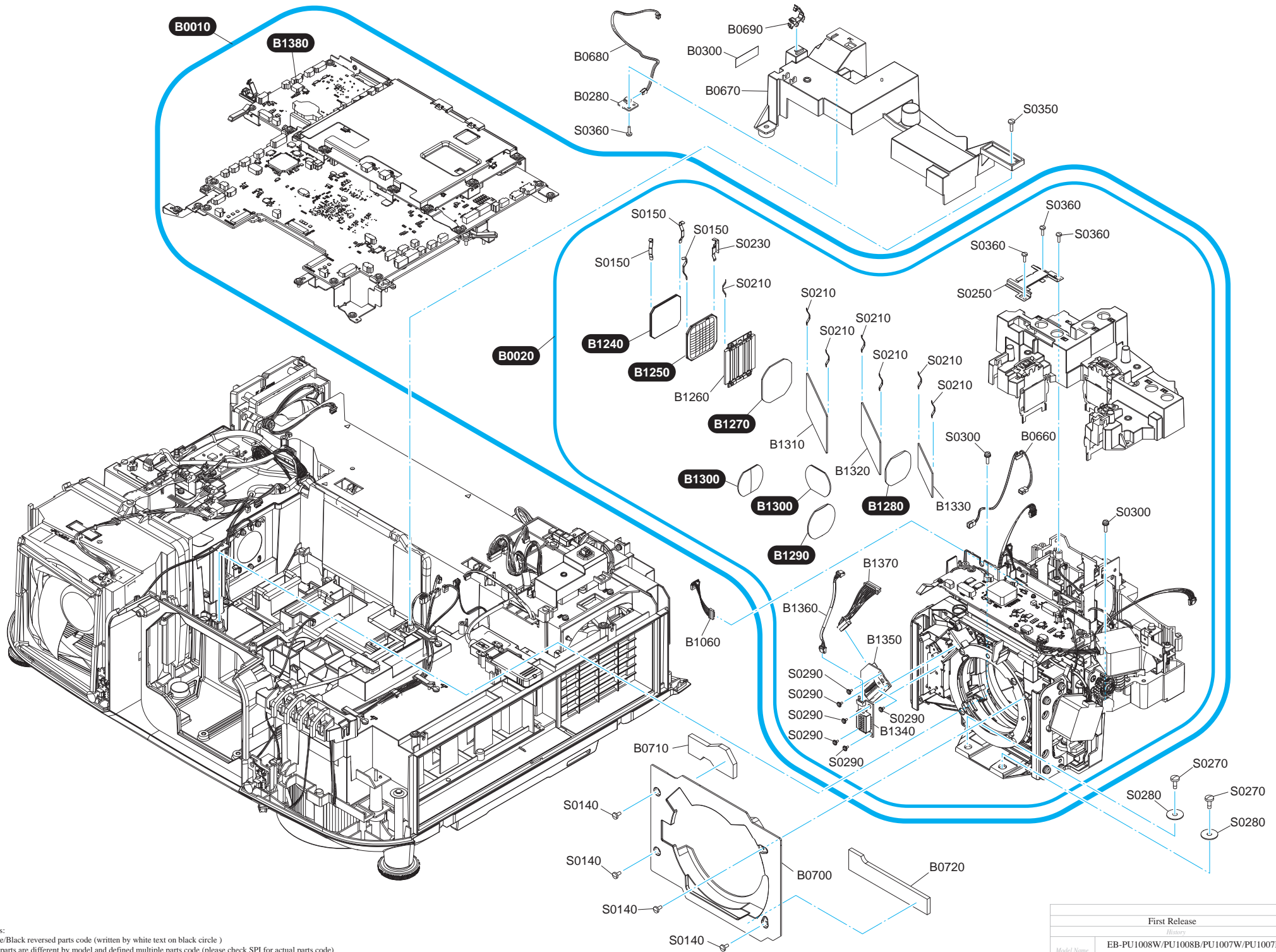


Notes:  
 White/Black reversed parts code (written by white text on black circle )  
 This parts are different by model and defined multiple parts code (please check SPI for actual parts code)  
 By case , some model have no parts though the parts is shown on this diagram.

	First Release	A
	History	Rev.No.
Model Name	EB-PU1008W/PU1008B/PU1007W/PU1007B/PU1006W/PU2010W/PU2010B	

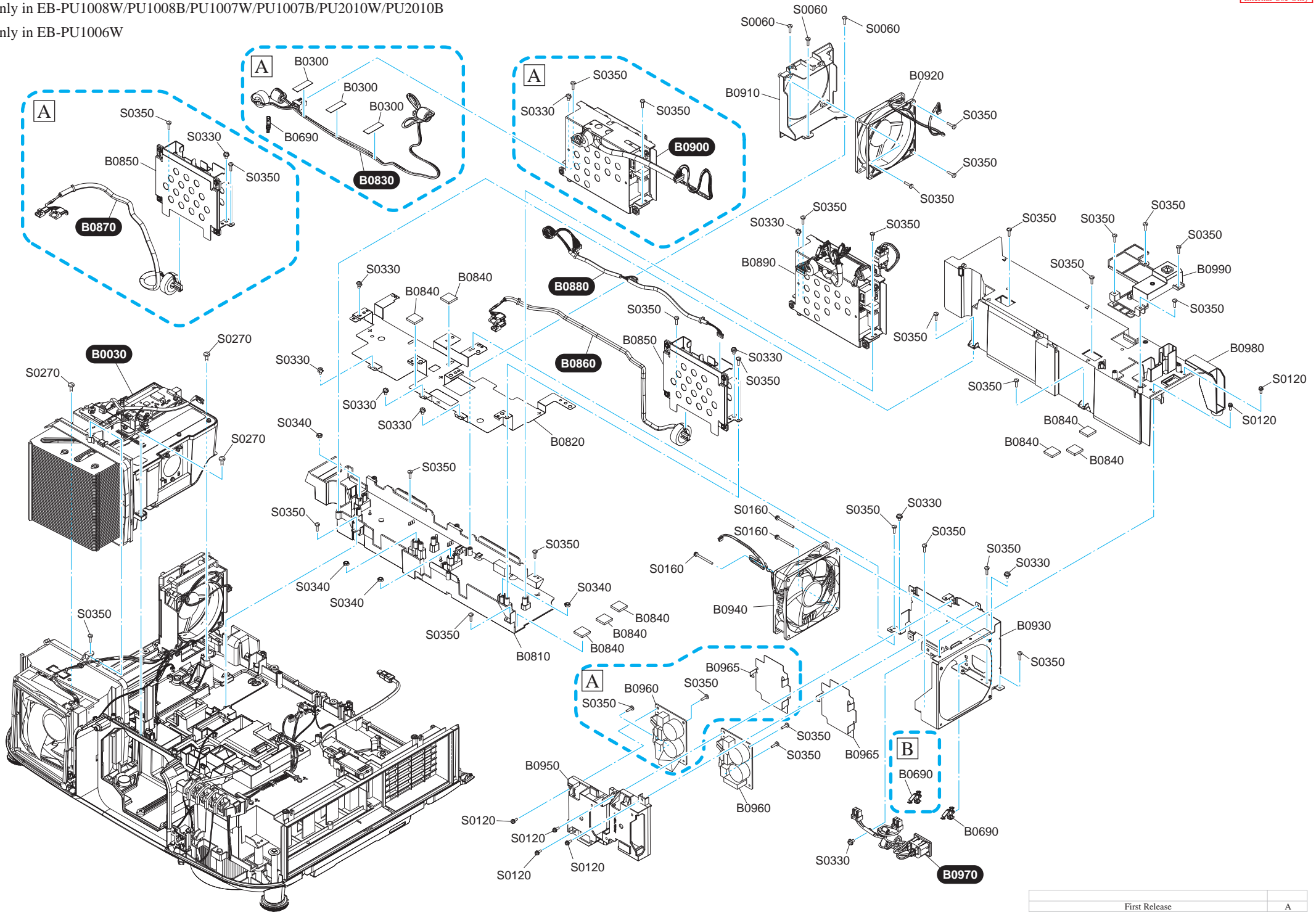


Notes:  
 White/Black reversed parts code (written by white text on black circle )  
 This parts are different by model and defined multiple parts code (please check SPI for actual parts code)  
 By case , some model have no parts though the parts is shown on this diagram.

First Release		A
History		Rev.No.
Model Name	EB-PU1008W/PU1008B/PU1007W/PU1007B/PU1006W/PU2010W/PU2010B	

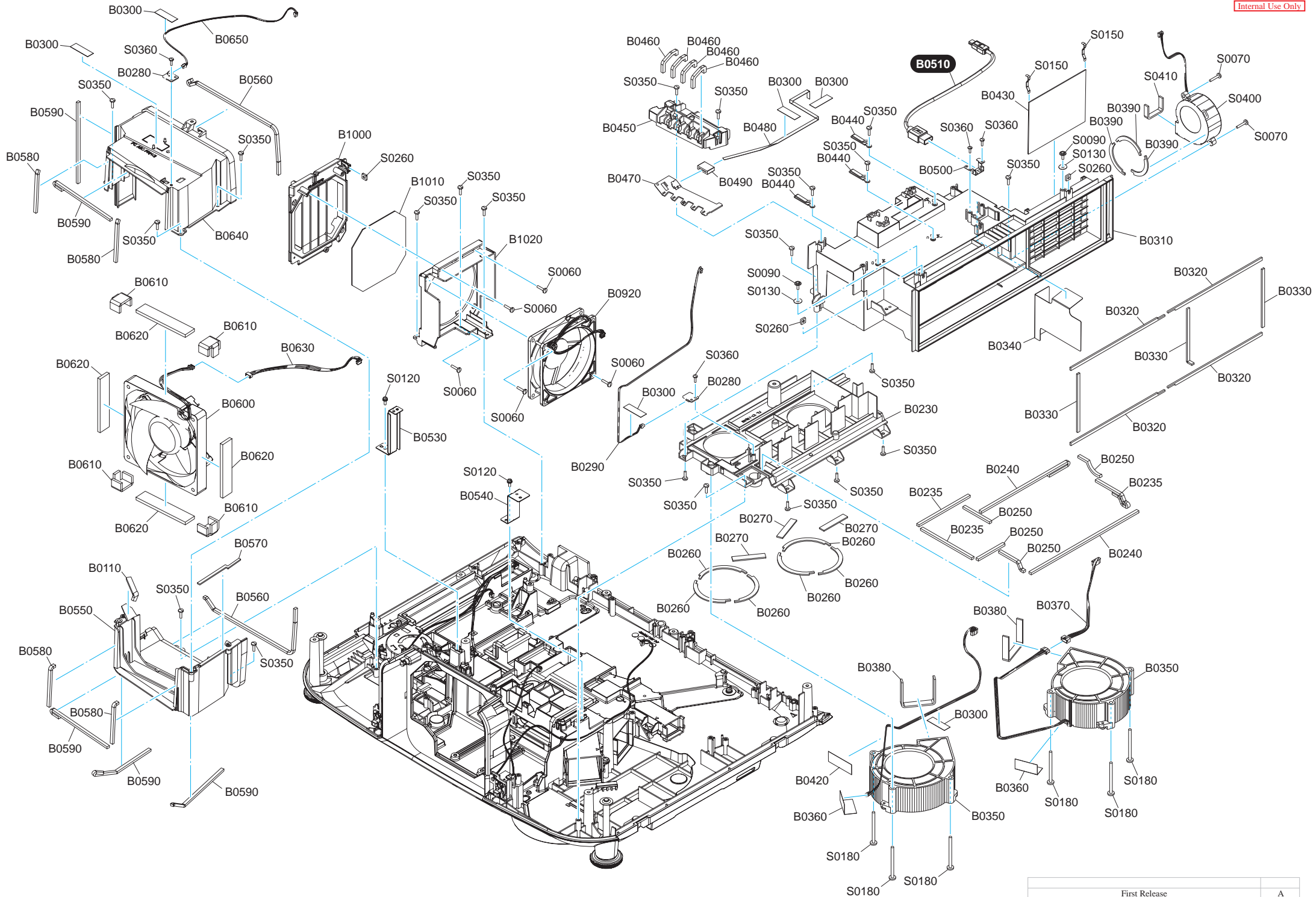
**A** Only in EB-PU1008W/PU1008B/PU1007W/PU1007B/PU2010W/PU2010B

**B** Only in EB-PU1006W



Notes:  
 White/Black reversed parts code (written by white text on black circle)  
 This parts are different by model and defined multiple parts code (please check SPI for actual parts code)  
 By case, some model have no parts though the parts is shown on this diagram.

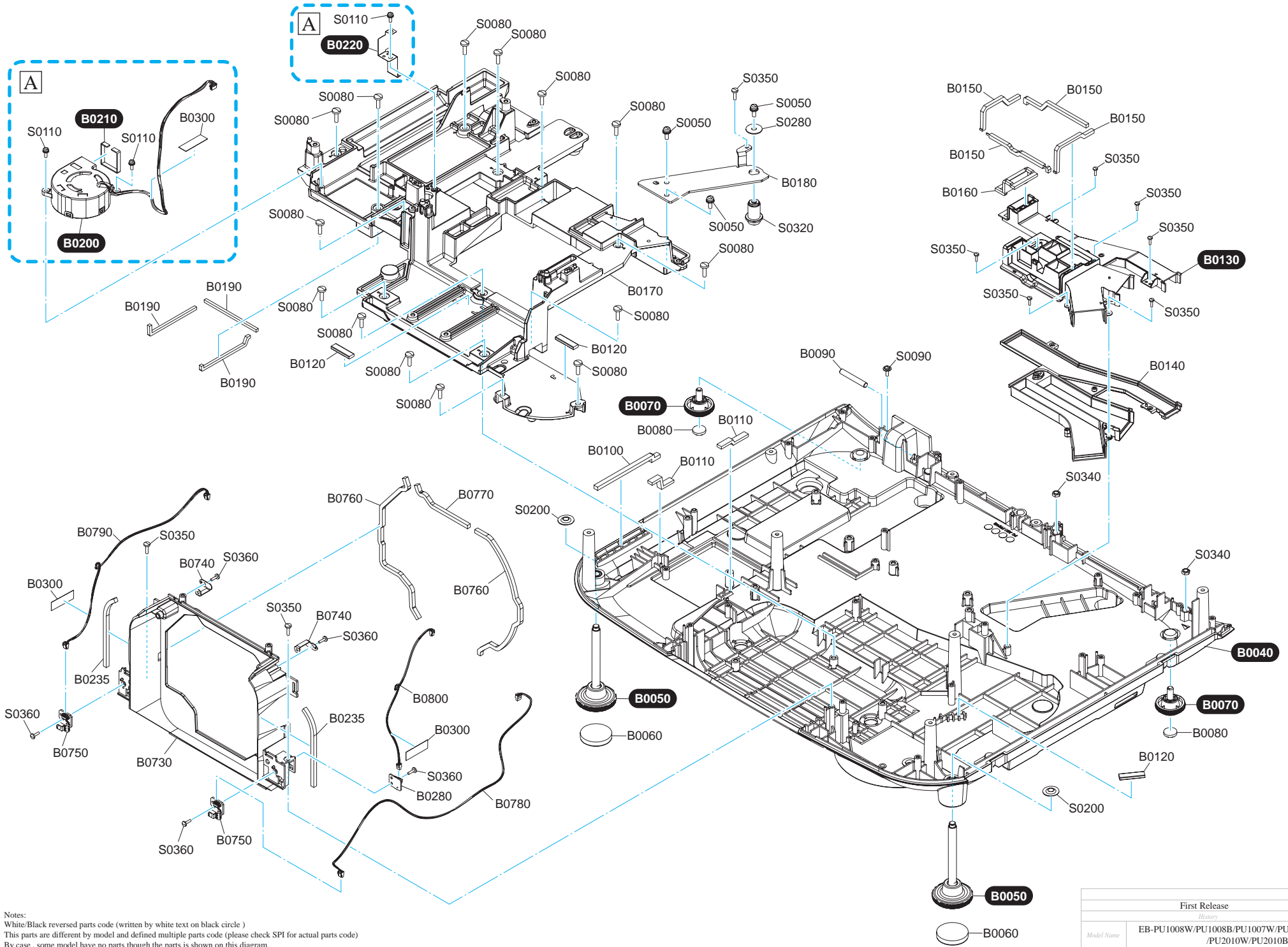
First Release		A
History		Rev.No.
Model Name	EB-PU1008W/PU1008B/PU1007W/PU1007B/PU1006W/PU2010W/PU2010B	



Notes:  
 White/Black reversed parts code (written by white text on black circle )  
 This parts are different by model and defined multiple parts code (please check SPI for actual parts code)  
 By case , some model have no parts though the parts is shown on this diagram.

	First Release	A
	History	Rev.No.
Model Name	EB-PU1008W/PU1008B/PU1007W/PU1007B/PU1006W/PU2010W/PU2010B	

A Only in EB-PU1008W/PU1008B/PU1007W/PU1007B/PU2010W/PU2010B



Notes:  
 White/Black reversed parts code (written by white text on black circle)  
 This parts are different by model and defined multiple parts code (please check SPI for actual parts code)  
 By case, some model have no parts though the parts is shown on this diagram.

First Release		A
History		Rev.No.
Model Name	EB-PU1008W/PU1008B/PU1007W/PU1007B/PU1006W/PU2010W/PU2010B	