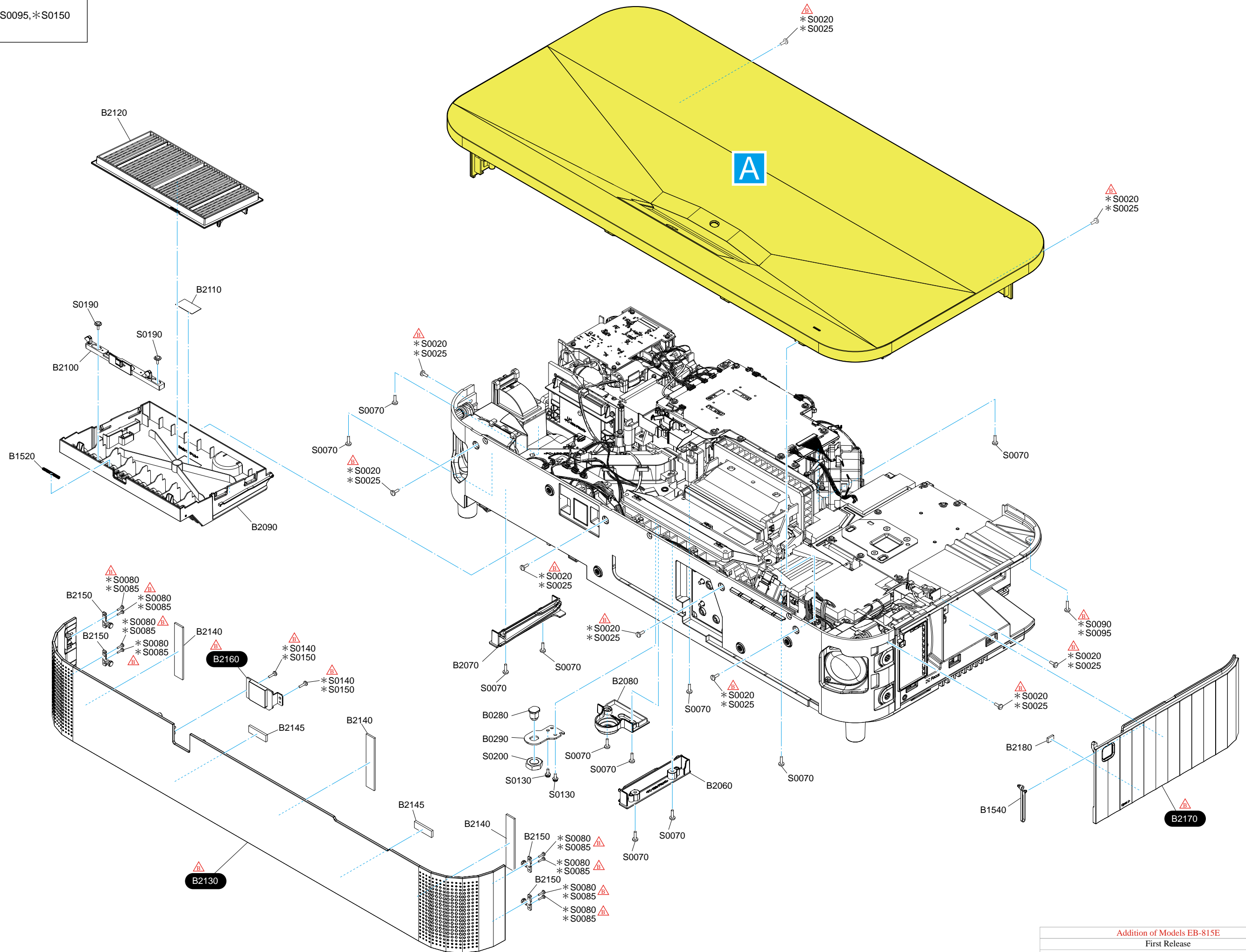


*S0020,*S0080,*S0090,*S0140
Only in EB-810E

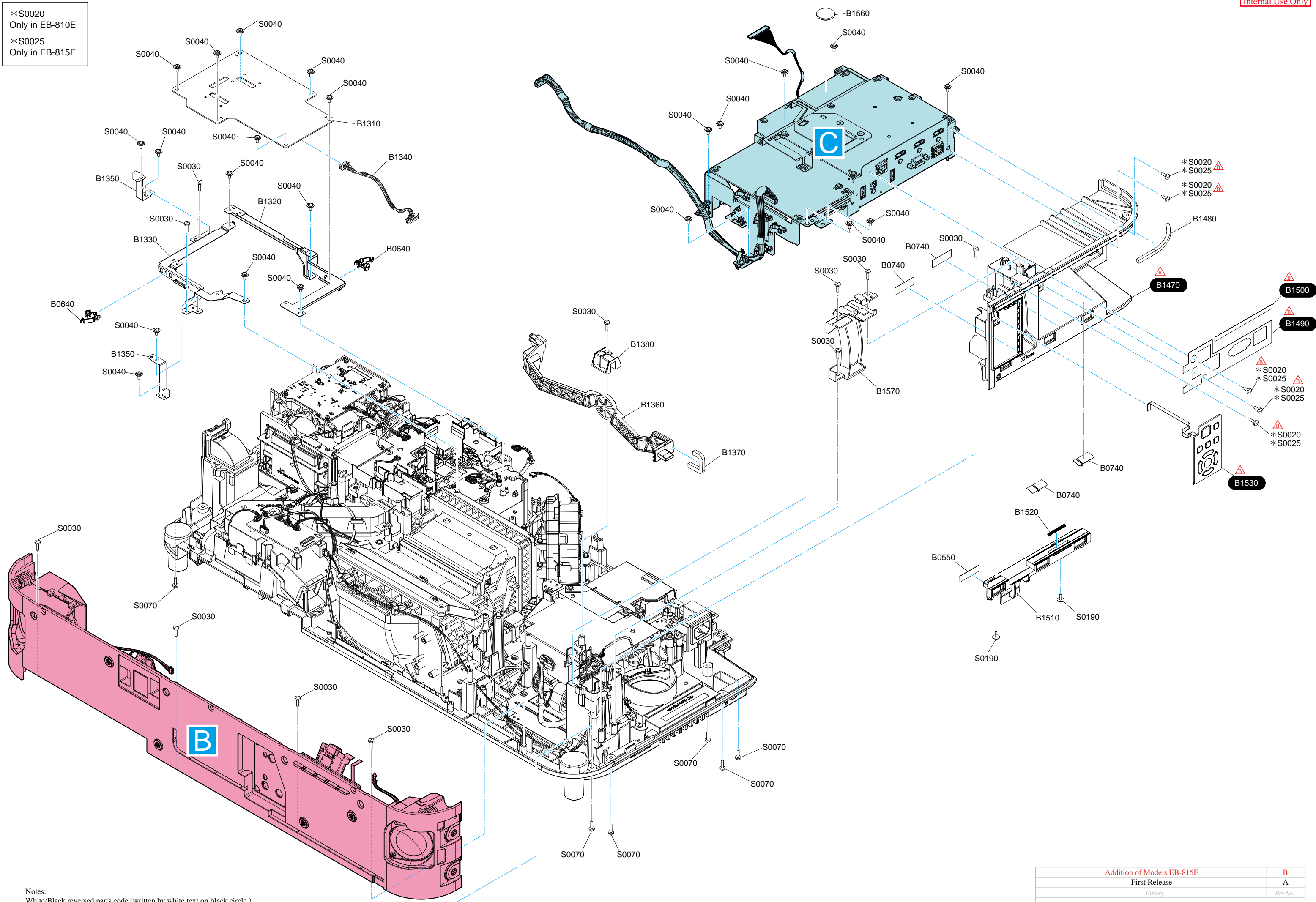
*S0025,*S0085,*S0095,*S0150
Only in EB-815E



Notes:
White/Black reversed parts code (written by white text on black circle)
This parts are different by model and defined multiple parts code (please check SPI for actual parts code)
By case , some model have no parts though the parts is shown on this diagram.

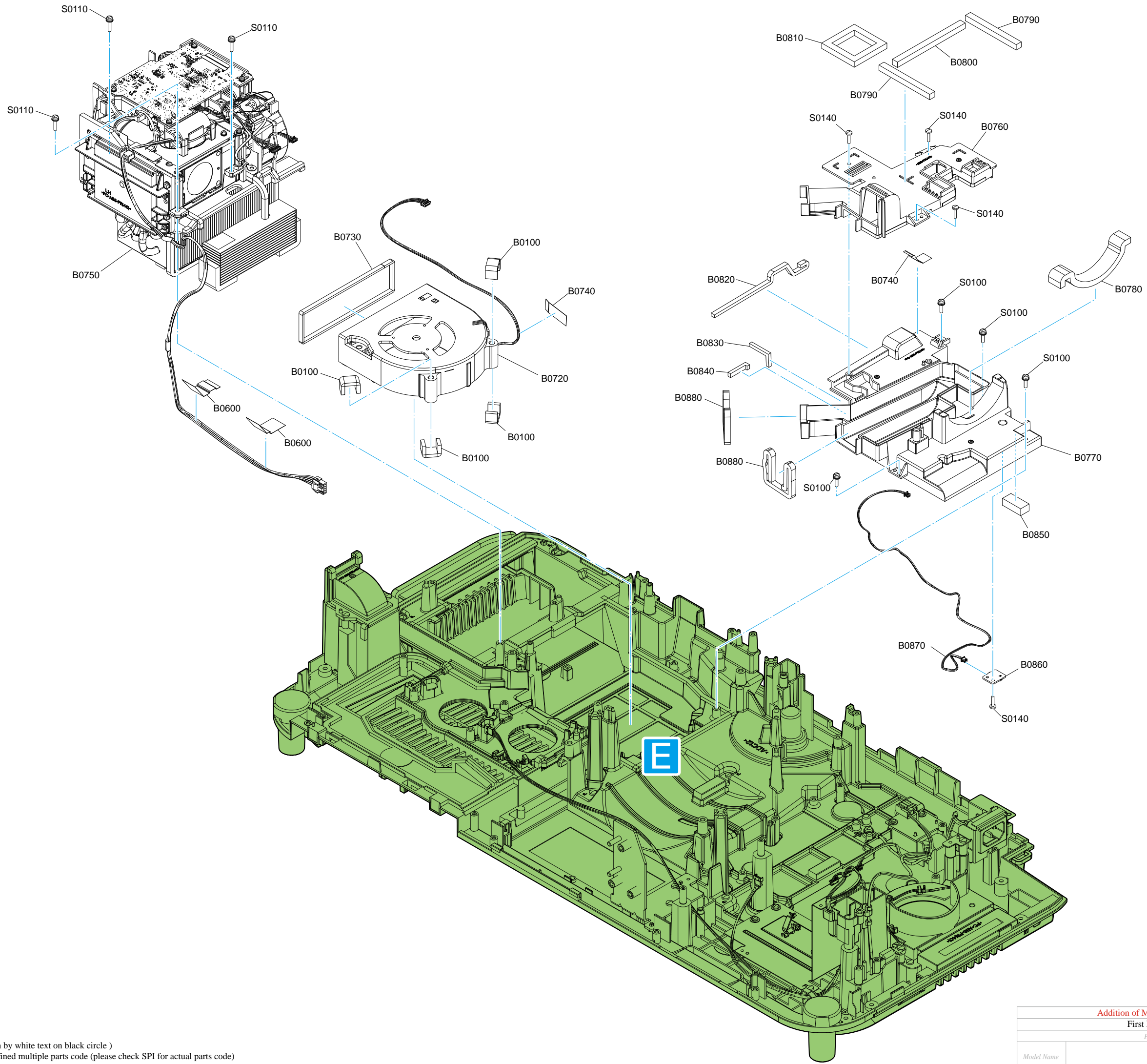
Addition of Models EB-815E		B
First Release		A
History		Rev.No.
Model Name	EB-810E/815E	

*S0020
Only in EB-810E
*S0025
Only in EB-815E



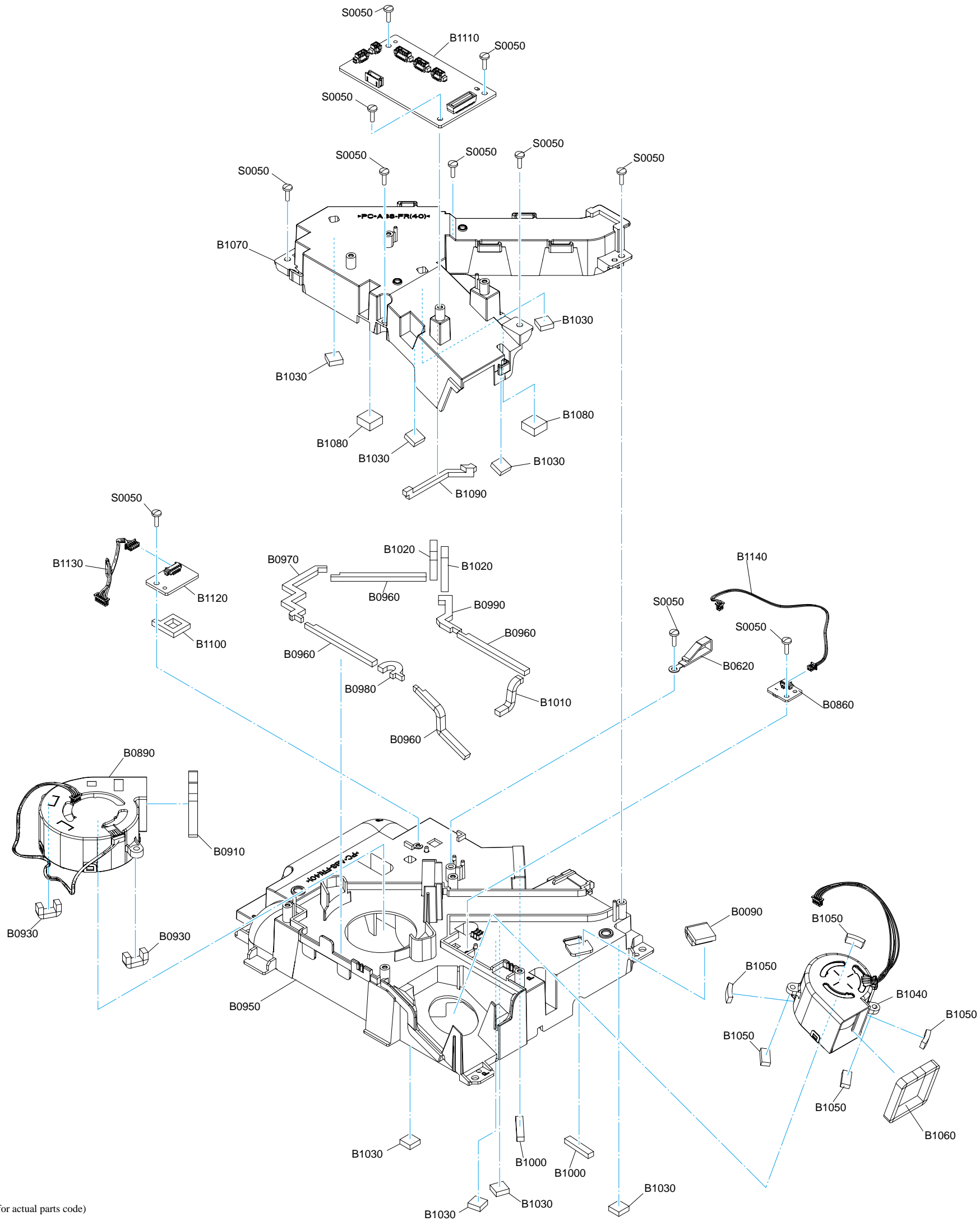
Notes:
 White/Black reversed parts code (written by white text on black circle)
 This parts are different by model and defined multiple parts code (please check SPI for actual parts code)
 By case , some model have no parts though the parts is shown on this diagram.

Addition of Models EB-815E		B
First Release		A
History		Rev.No.
Model Name	EB-810E/815E	



Notes:
 White/Black reversed parts code (written by white text on black circle)
 This parts are different by model and defined multiple parts code (please check SPI for actual parts code)
 By case , some model have no parts though the parts is shown on this diagram.

Addition of Models EB-815E		B
First Release		A
<i>History</i>		<i>Rev.No.</i>
<i>Model Name</i>	EB-810E/815E	



Notes:
 White/Black reversed parts code (written by white text on black circle)
 This parts are different by model and defined multiple parts code (please check SPI for actual parts code)
 By case , some model have no parts though the parts is shown on this diagram.

Addition of Models EB-815E		B
First Release		A
<i>History</i>		<i>Rev.No.</i>
<i>Model Name</i>	EB-810E/815E	

