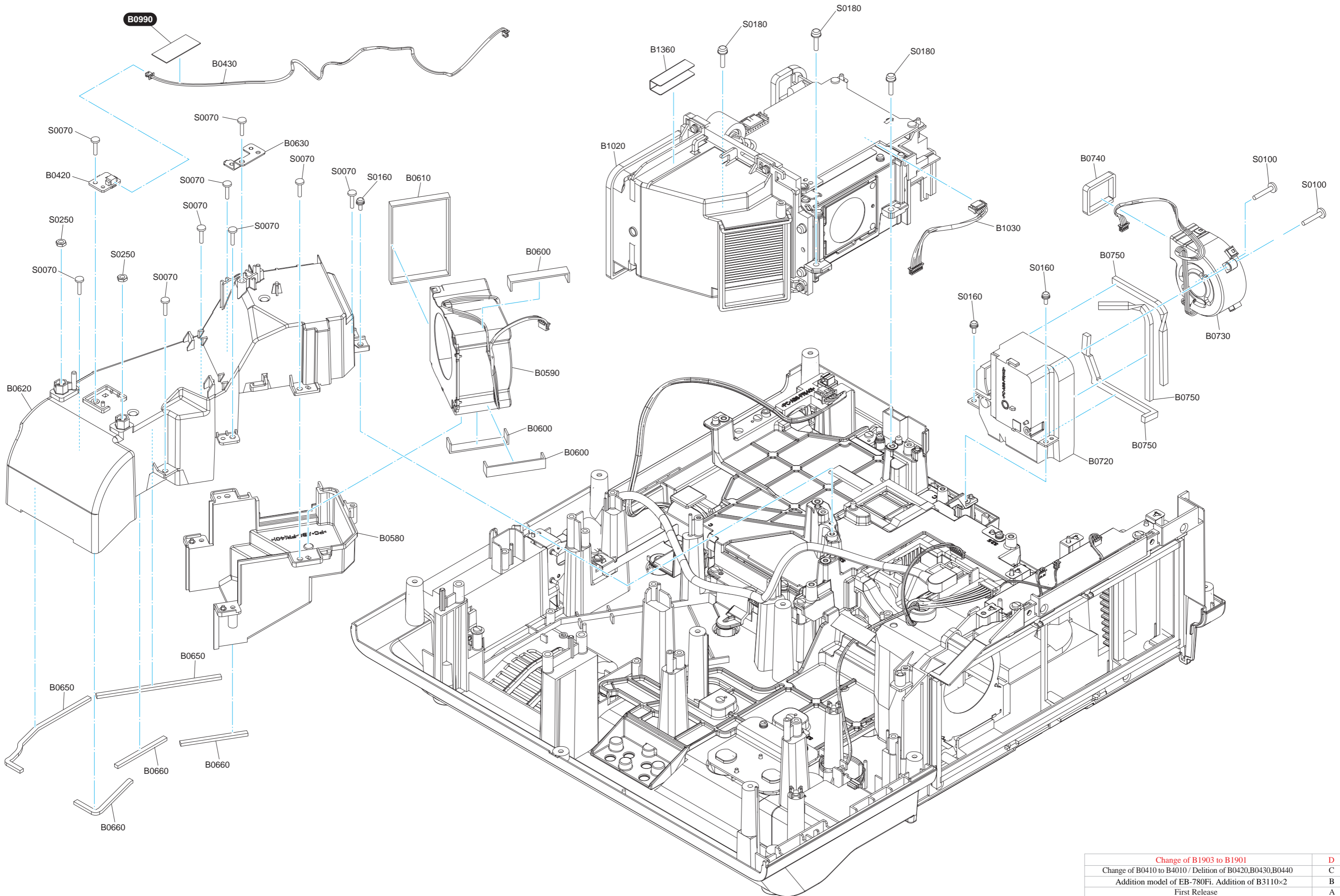


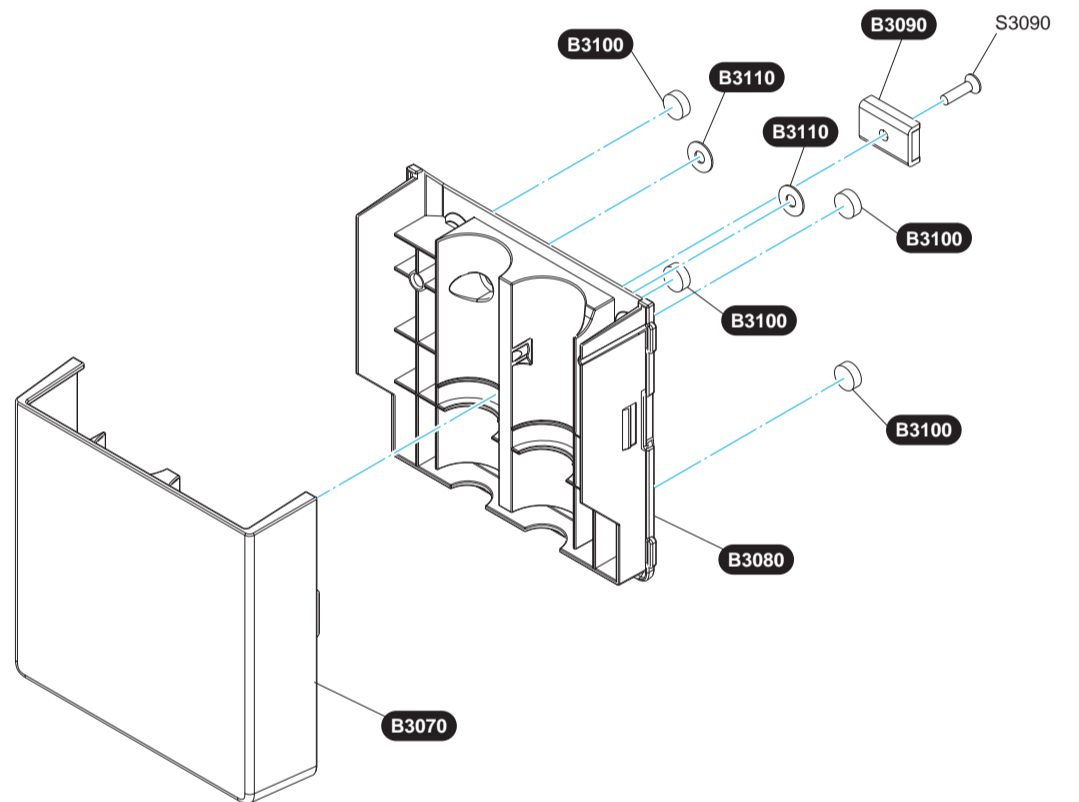
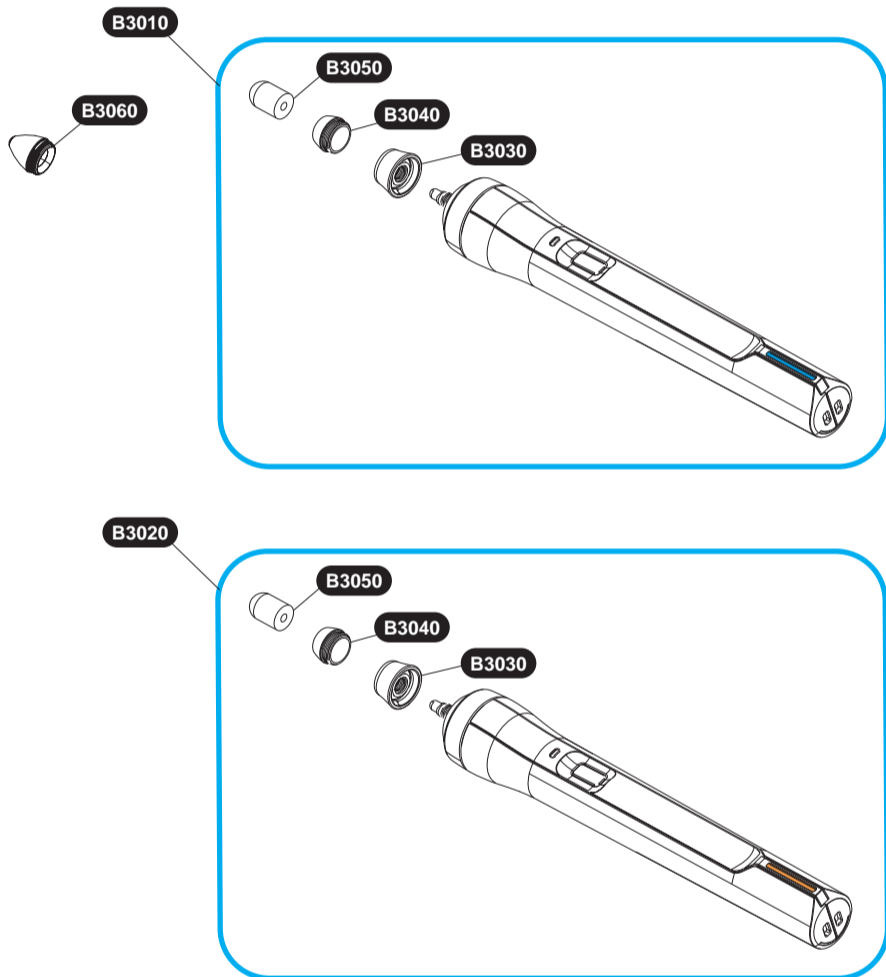
Notes:
 White/Black reversed parts code (written by white text on black circle)
 This parts are different by model and defined multiple parts code (please check SPI for actual parts code)
 By case , some model have no parts though the parts is shown on this diagram.

	Change of B1903 to B1901	D
	Change of B0410 to B4010 / Delition of B0420,B0430,B0440	C
	Addition model of EB-780Fi. Addition of B3110×2	B
	First Release	A
	History	Rev.No.
Model Name	EB-770Fi/770F/760Wi/760W/775F/780Fi	



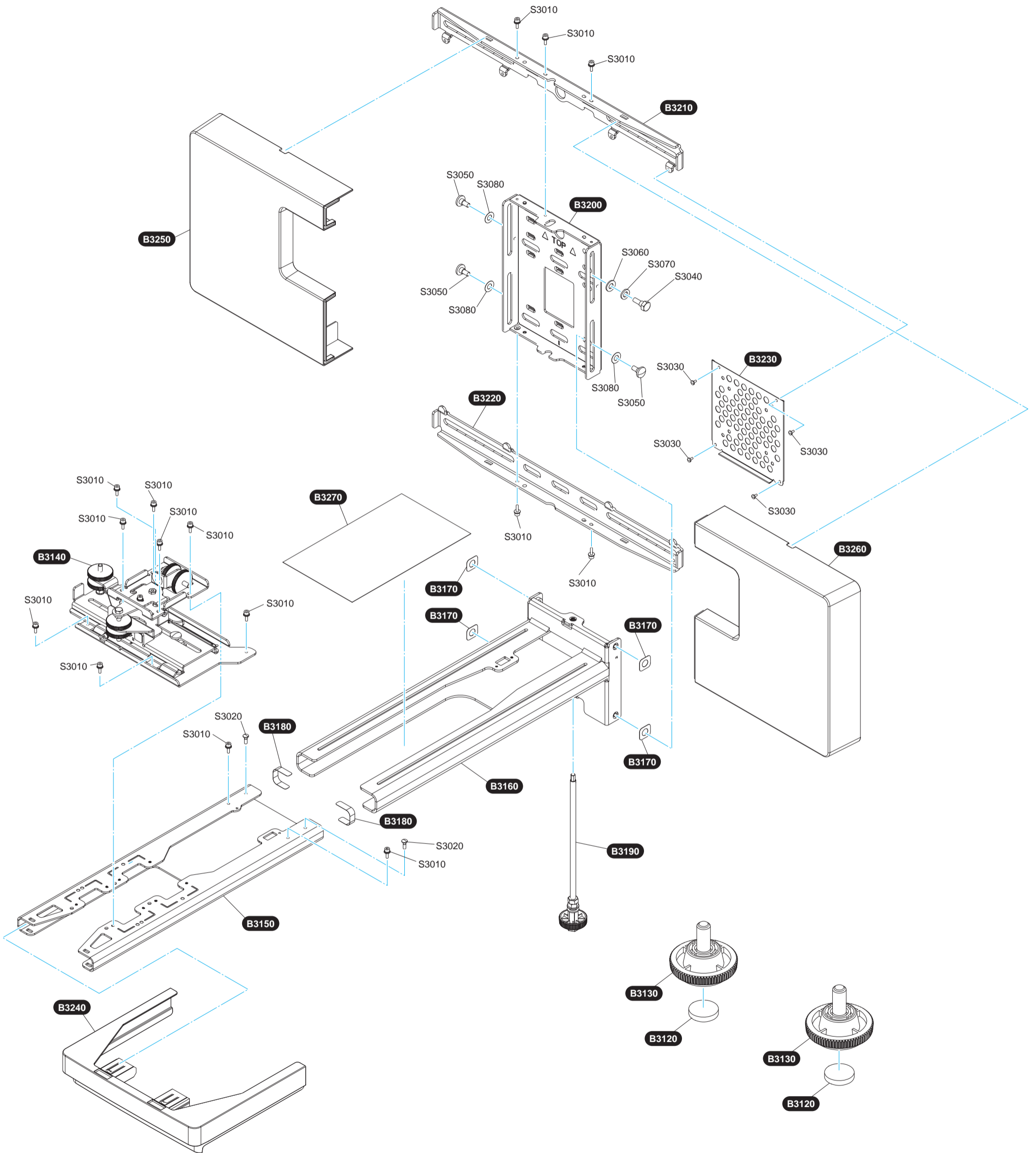
Notes:
 White/Black reversed parts code (written by white text on black circle)
 This parts are different by model and defined multiple parts code (please check SPI for actual parts code)
 By case , some model have no parts though the parts is shown on this diagram.

	Change of B1903 to B1901	D
	Change of B0410 to B4010 / Delition of B0420,B0430,B0440	C
	Addition model of EB-780Fi. Addition of B3110×2	B
	First Release	A
	History	Rev.No.
Model Name	EB-770Fi/770F/760Wi/760W/775F/780Fi	



Notes:
 White/Black reversed parts code (written by white text on black circle)
 This parts are different by model and defined multiple parts code (please check SPI for actual parts code)
 By case , some model have no parts though the parts is shown on this diagram.

	Change of B1903 to B1901	D
	Change of B0410 to B4010 / Delition of B0420,B0430,B0440	C
	Addition model of EB-780Fi. Addition of B3110×2	B
	First Release	A
	History	Rev.No.
Model Name	EB-770Fi/770F/760Wi/760W/775F/780Fi	



Notes:
 White/Black reversed parts code (written by white text on black circle)
 This parts are different by model and defined multiple parts code (please check SPI for actual parts code)
 By case , some model have no parts though the parts is shown on this diagram.

	Change of B1903 to B1901	D
	Change of B0410 to B4010 / Delition of B0420,B0430,B0440	C
	Addition model of EB-780Fi. Addition of B3110x2	B
	First Release	A
	History	Rev.No.
Model Name	EB-770Fi/770F/760Wi/760W/775F/780Fi	