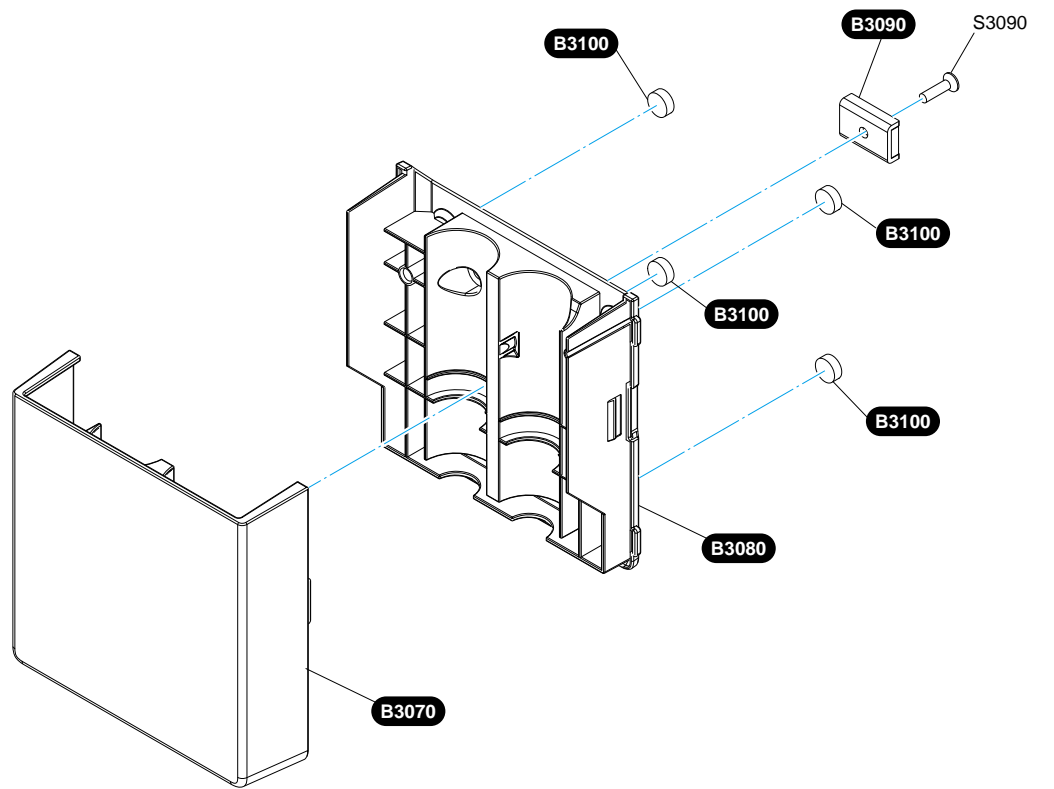
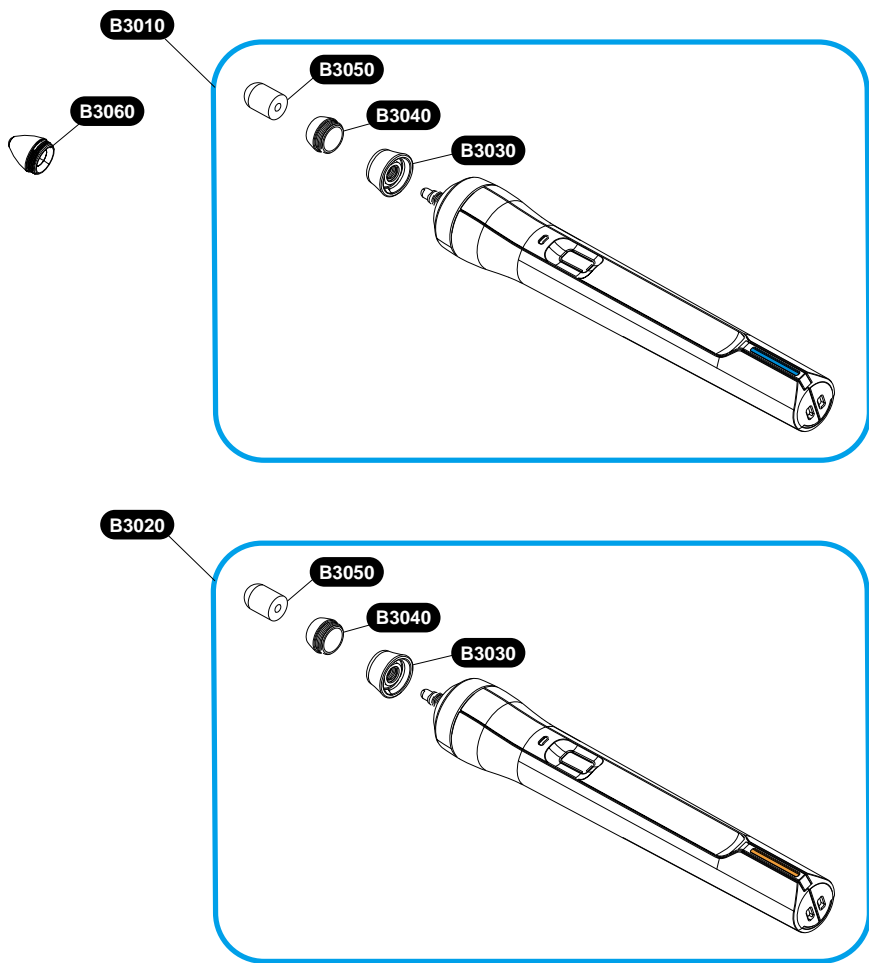


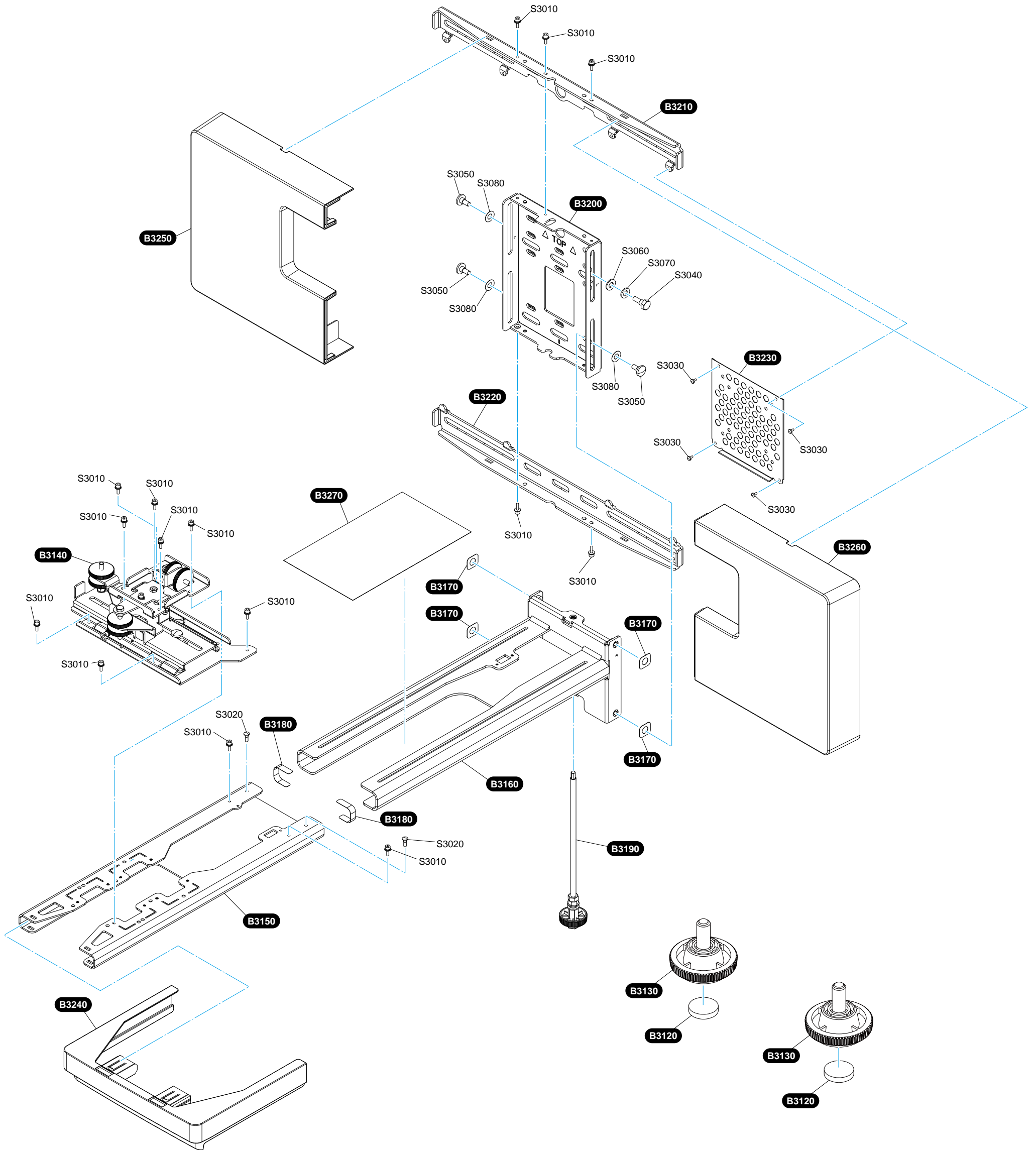
Notes:
 White/Black reversed parts code (written by white text on black circle)
 This parts are different by model and defined multiple parts code (please check SPI for actual parts code)
 By case , some model have no parts though the parts is shown on this diagram.

Correction of REF# B1860>B0680 , B1620>B1860		C
Addition of Model Name "EB-735F"		B
First Release		A
History		Rev.No.
Model Name	EB-735Fi/735F/725Wi/725W/720/750F/755F	



Notes:
 White/Black reversed parts code (written by white text on black circle)
 This parts are different by model and defined multiple parts code (please check SPI for actual parts code)
 By case , some model have no parts though the parts is shown on this diagram.

Correction of REF# B1860>B0680 , B1620>B1860		C
Addition of Model Name "EB-735F"		B
First Release		A
History		Rev.No.
Model Name	EB-735Fi/735F/725Wi/725W/720/750F/755F	



Notes:
 White/Black reversed parts code (written by white text on black circle)
 This parts are different by model and defined multiple parts code (please check SPI for actual parts code)
 By case , some model have no parts though the parts is shown on this diagram.

Correction of REF# B1860>B0680 , B1620>B1860		C
Addition of Model Name "EB-735F"		B
First Release		A
History		Rev.No.
Model Name	EB-735Fi/735F/725Wi/725W/720/750F/755F	

