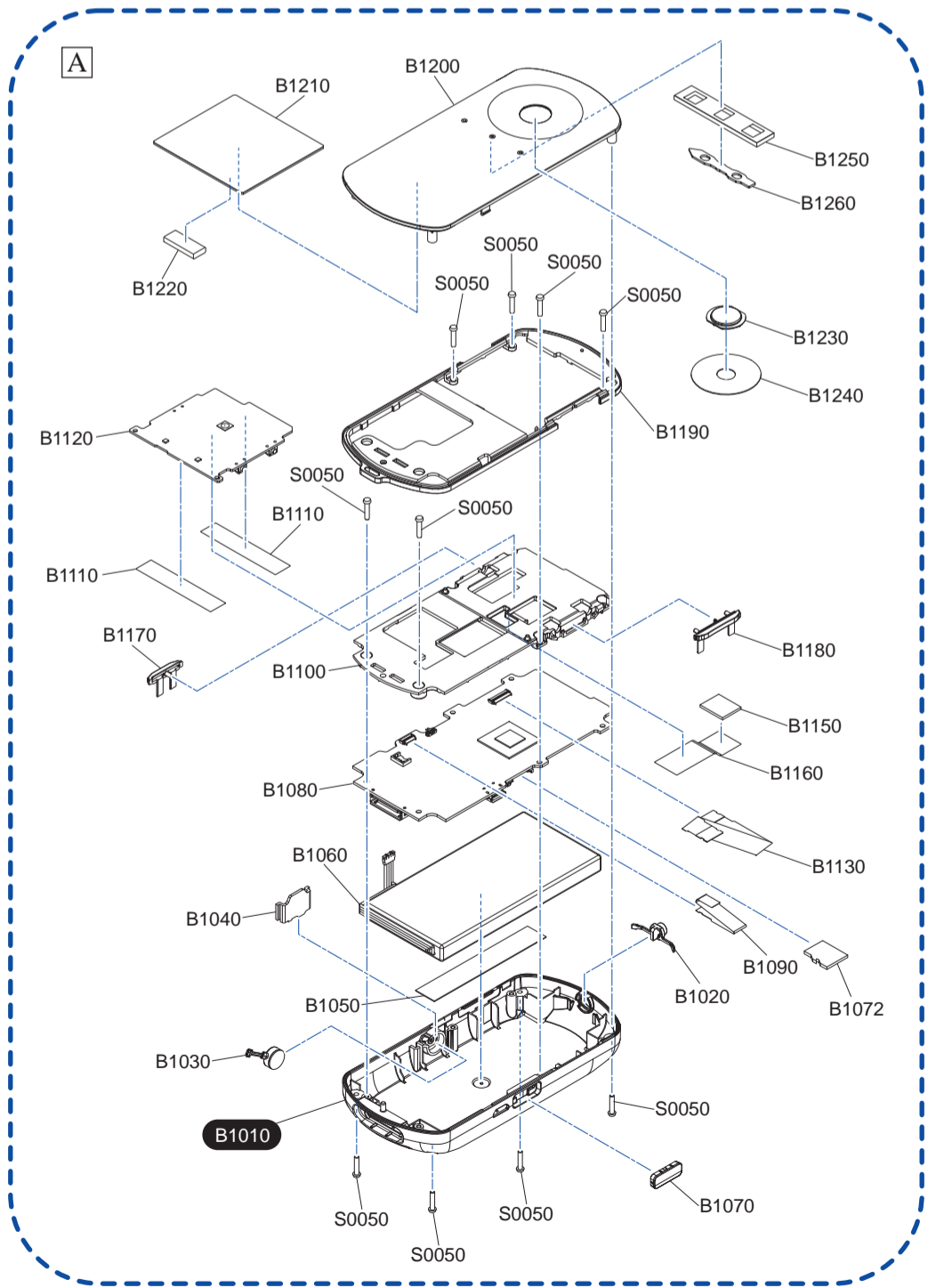
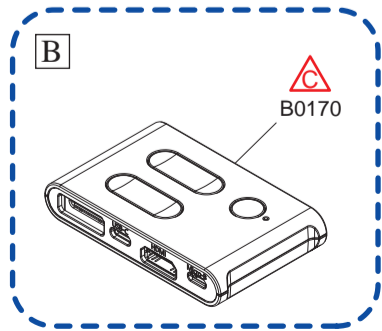
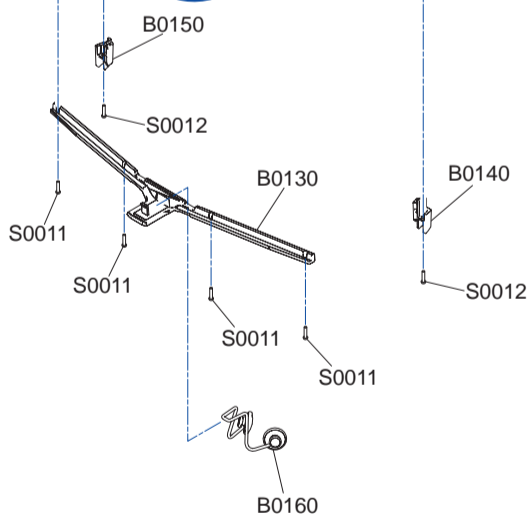
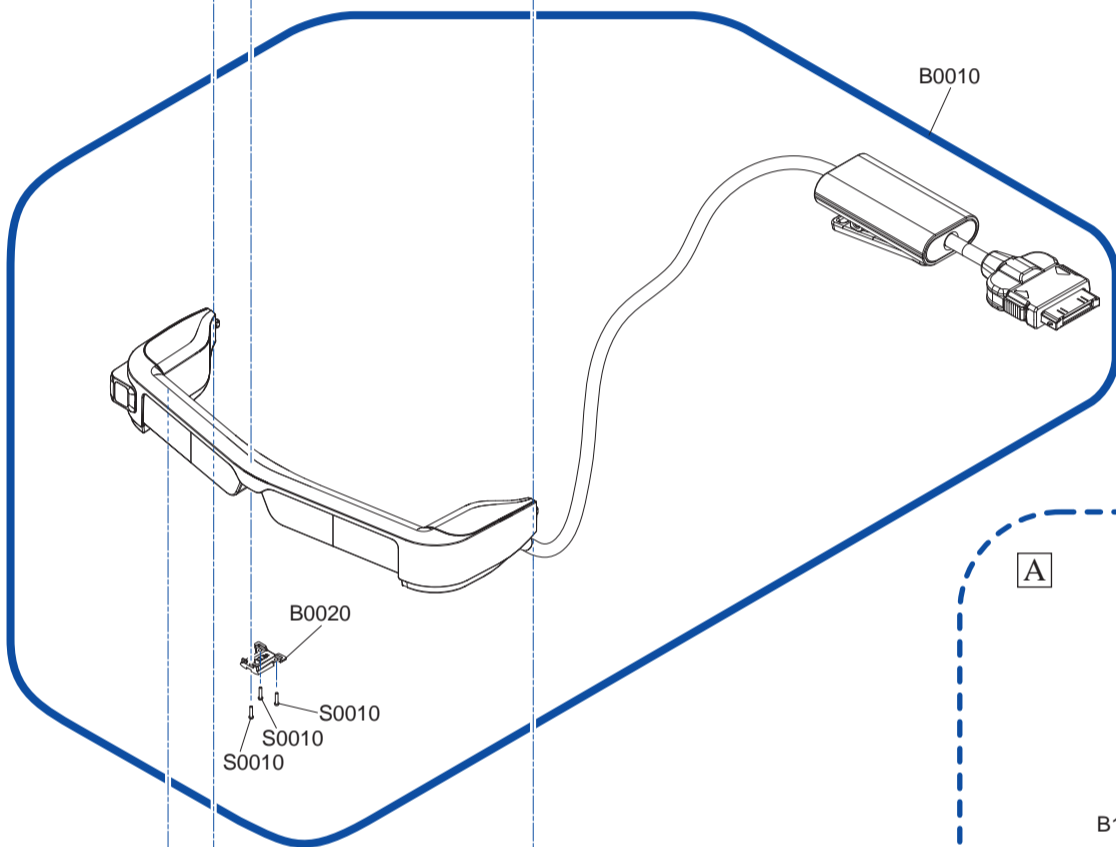
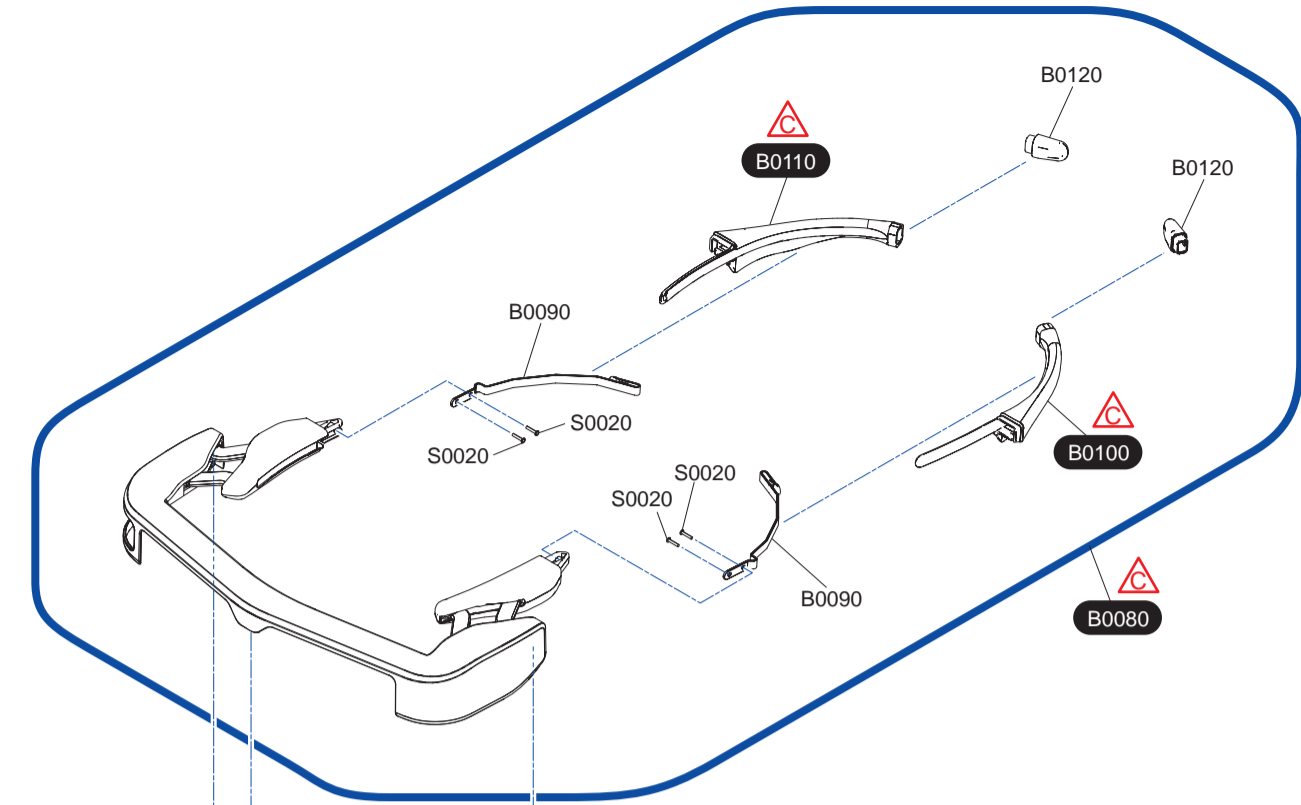


A Only in BT-350

B Only in BT-35E



Addition of B0170. Change of ref color B0080/B0100/B0110. Addition of model BT-35E.		C
Change of Ref S0012x2.		B
First Release		A
History		Rev.No.

Notes:  
 White/Black reversed parts code (written by white text on black circle)  
 This parts are different by model and defined multiple parts code (please check SPI for actual parts code)  
 By case , some model have no parts though the parts is shown on this diagram.