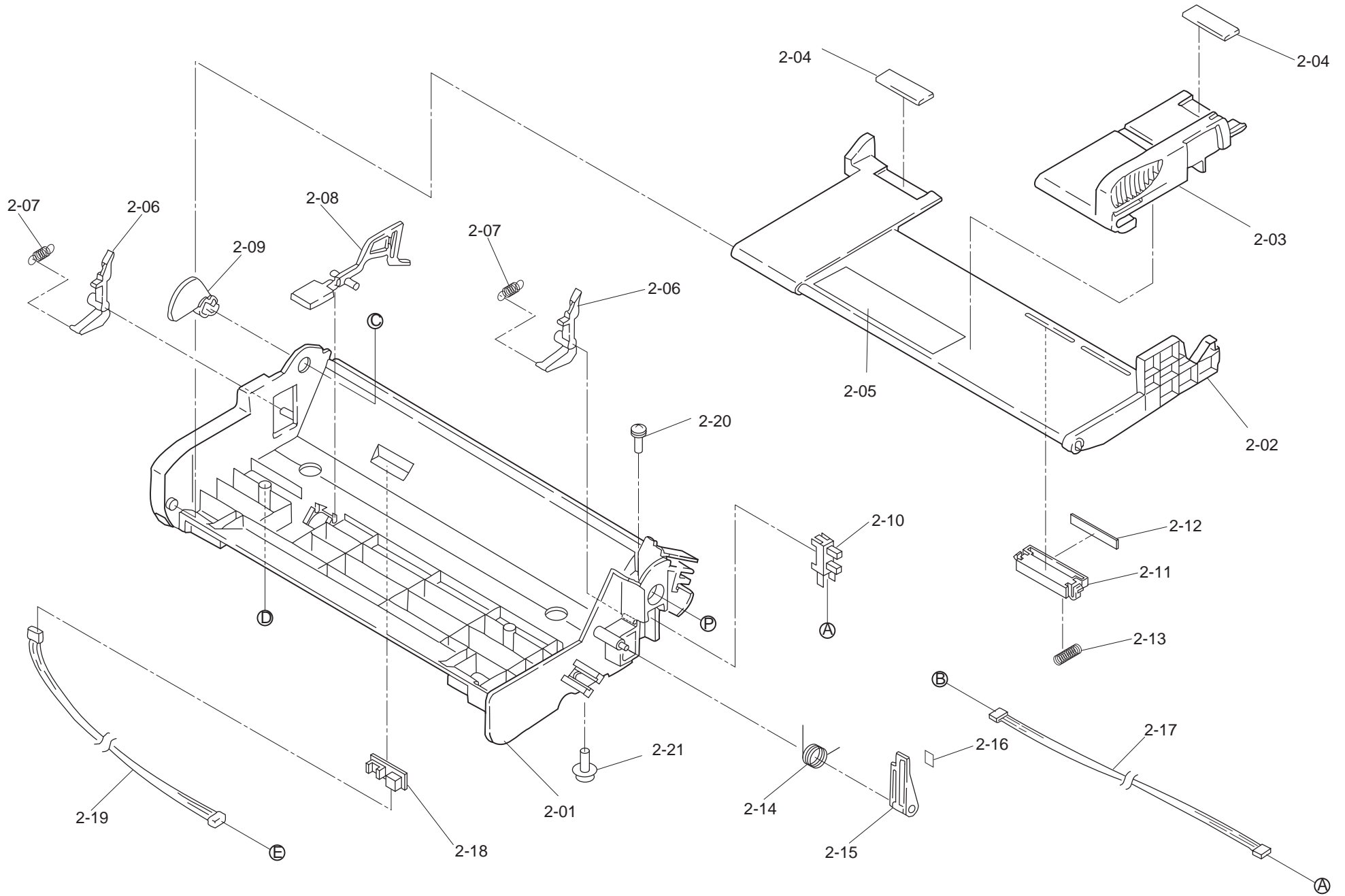
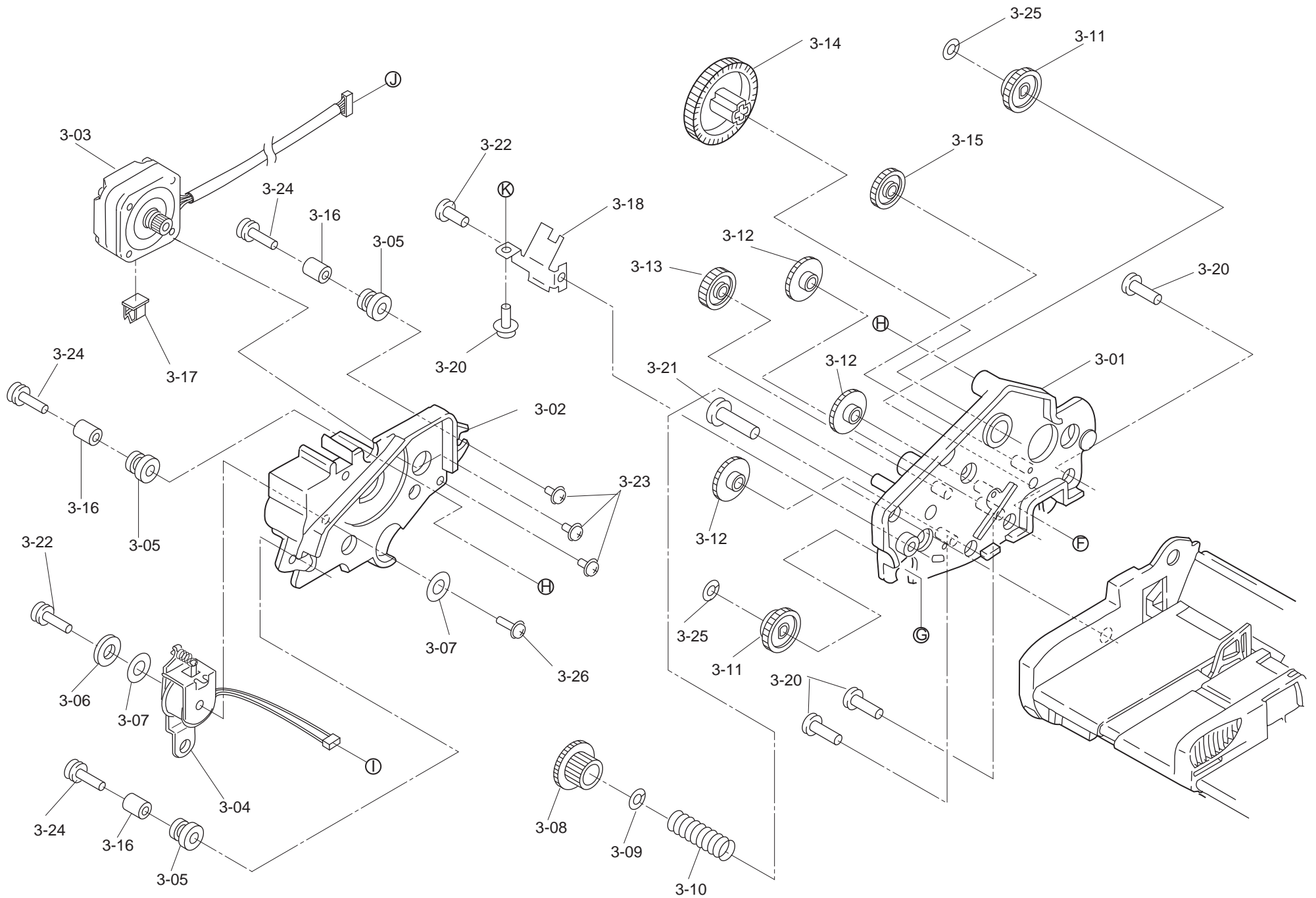


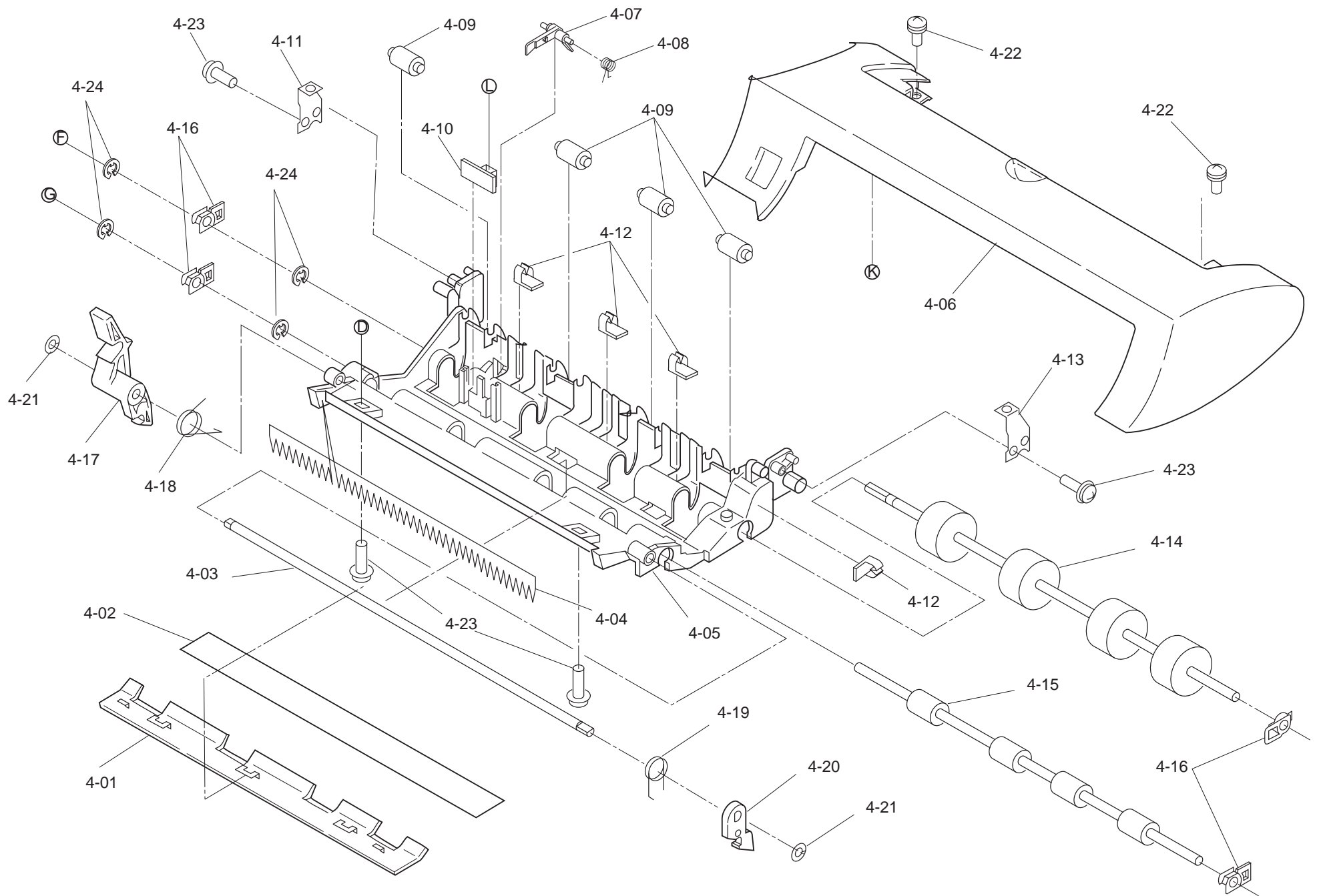
EXPLODED DIAGRAM FOR GT-7000 OPTION B813141/ADF (1/5) Rev.02 10012



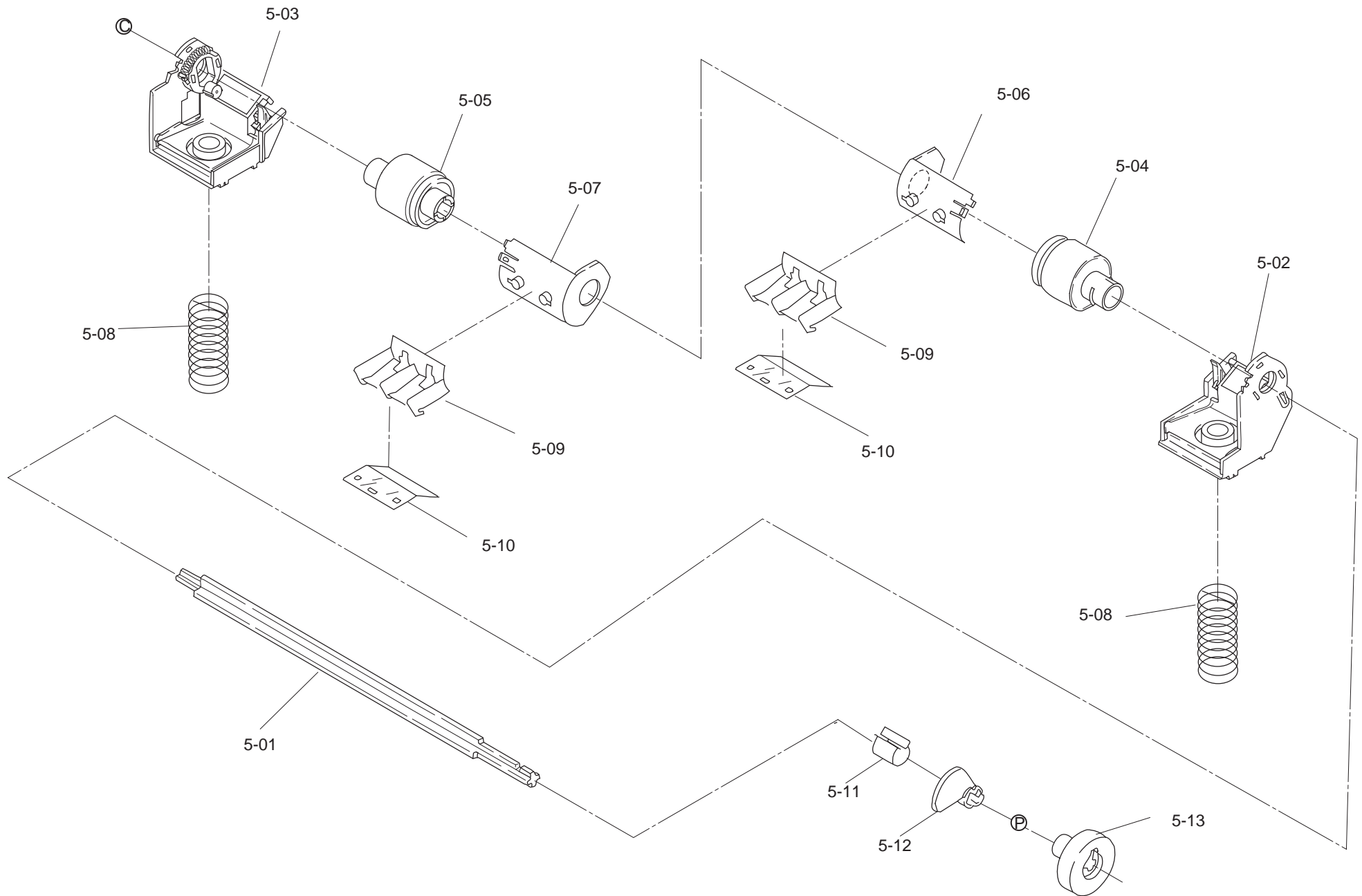
EXPLODED DIAGRAM FOR GT-7000 OPTION B813141/ADF (2/5) Rev. 01 10012



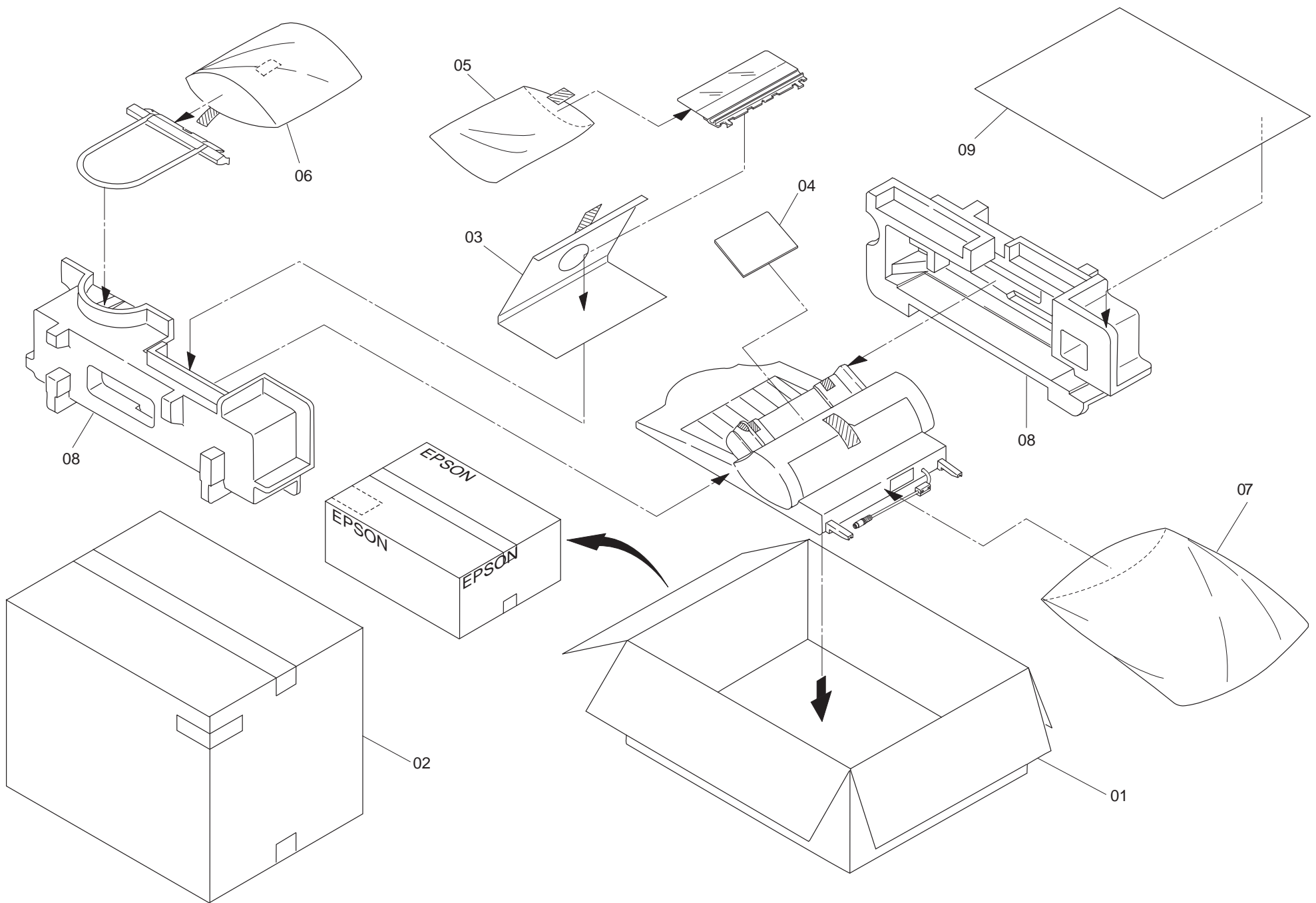
EXPLODED DIAGRAM FOR GT-7000 OPTION B813141/ADF (3/5) Rev.01 10012



EXPLODED DIAGRAM FOR GT-7000 OPTION B813141/ADF (4/5) REV.01 10012



EXPLODED DIAGRAM FOR GT-7000 OPTION B813141/ADF (5/5) Rev. 01 10012



PACKING MATERIALS FOR GT-7000 OPTION B813141/ADF Rev.0110012